

Sorrento Series

(Style C60 & C61)

Adjustable Gate Installation Instructions



- These instructions must be followed exactly as written, and the materials used must be exactly as shown in the instructions. Any deviation from the instructions or variation in the materials used/installed may result in an unsuccessful installation.

Standard Width Gate

Note: Cut all zip ties on wire mesh and remove end covers before installing.

1. Position hinges on gate as shown (Fig 1).

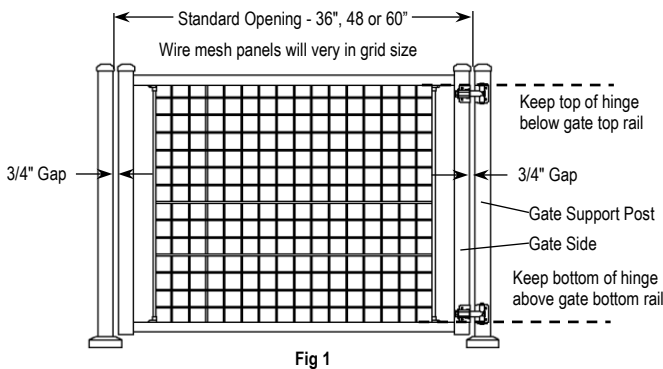


Fig 1

2. Follow installation instructions included with hinges and latches. **NOTE:** Align gate rails with adjacent railing when attaching gate to gate support post.
3. If the gate is not being adjusted to size, go to (Special Width Gate) Step 6.

Special Width Gate

1. Remove caps from both gate sides by lightly tapping with a rubber mallet. Remove screws inside top and bottom of each gate side (Fig 2).

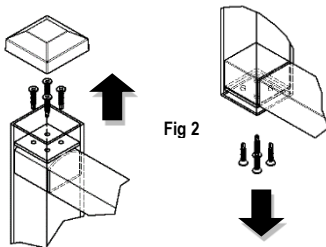


Fig 2

2. Remove gate sides (Fig 3).

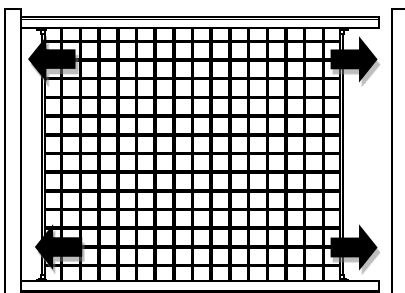


Fig 3

Special Width Gate Cont'd

3. Measure the distance between gate support post and subtract 1 3/4". (Fig 4). **NOTE:** Make sure there will be 1/4" or more of spacing from mesh panel to gate sides.

(If wire mesh panel needs to be cut, locate the next vertical rod, and cut to the inside of vertical rod (left) with bolt cutter. Do not use a grinding wheel as it will burn the powder coating.) End Covers will not fit over end rods.

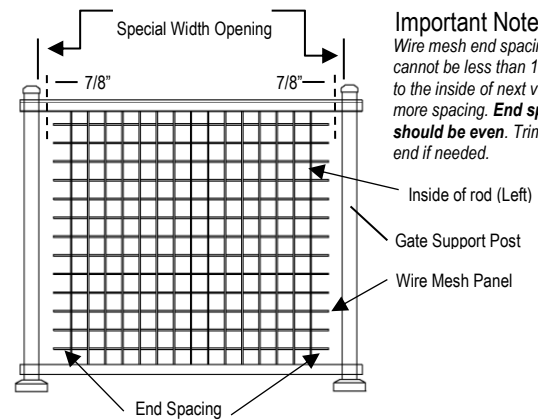


Fig 4

Important Note: Wire mesh end spacing to gate post cannot be less than 1/4". Cut panel to the inside of next vertical rod for more spacing. **End spacing should be even.** Trim the other end if needed.

4. Cut top and bottom rails.
5. Place wire mesh panel into bottom rail being mindful to keep this centered. Place the top rail onto wire panel. Place gate sides onto rails. Pre-drill holes into top and bottom rails using a 1/8" drill bit before replacing screws. Reinstall screws and caps that were removed in step 1.
6. Place mounts on the end of wire mesh end covers (Fig 5). Place covers over the end of wire mesh panel and fasten bottom mount 1st with 2 screws provided. **Make sure the cover is square with gate sides** and fasten top mount with 2 screws provided.

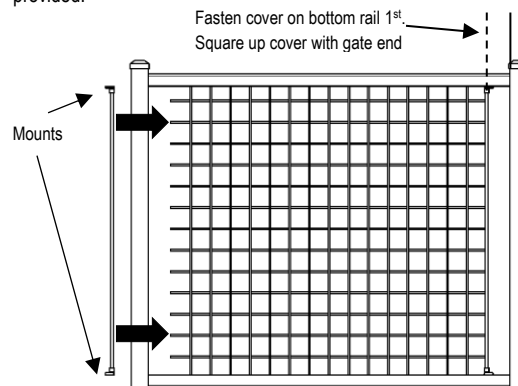


Fig 5

Sorrento Series

(Style C60 & C61)

Adjustable Gate Installation Instructions



- These instructions must be followed exactly as written, and the materials used must be exactly as shown in the instructions. Any deviation from the instructions or variation in the materials used/installed may result in an unsuccessful installation.

Warranty

For product Warranty and Registration please scan below:



Care and Cleaning

Remove all particles and residue from Westbury aluminum components by referring to the Care and Cleaning requirements on the DSI website. Scan Below:

