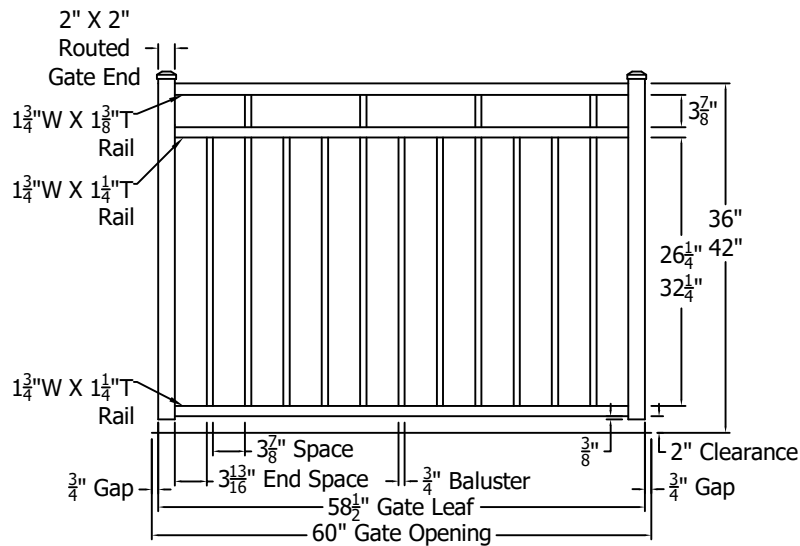
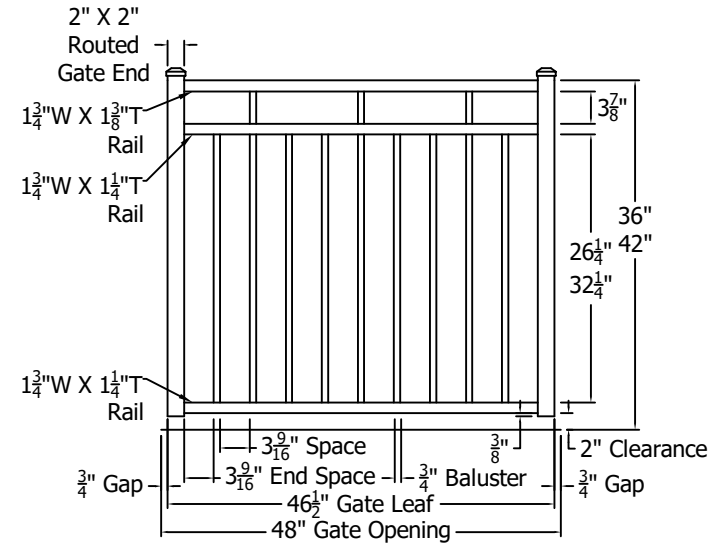
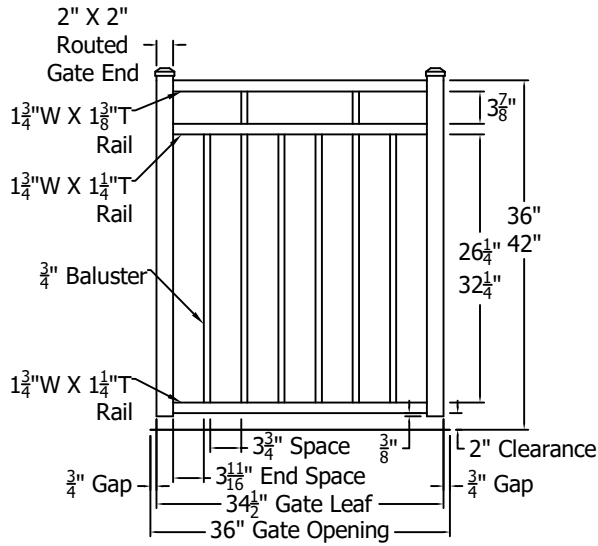




Square Balusters For C33
 Round Balusters For C331
 Adjustable Gates, Balusters Welded To Rails

REV.	LOC.	REVISION	DATE



	 <p>3446 US 6 EAST Bremen, IN 46506 diggerspecialties.com</p>	DRAWN BY: EH DATE DRAWN: 01-29-2020	STYLE: C33-331 Adjustable Gates
		SCALE = 1"=1" DRAFT NO.: 20200129-1E	AS SHOWN: 42" T LOC: Z:\Aluminum\Westbury\C30 Riviera\C33 Riviera\Updated Standard Drawings

4

3

2

1

D

C

B

A