

Tuscany Series

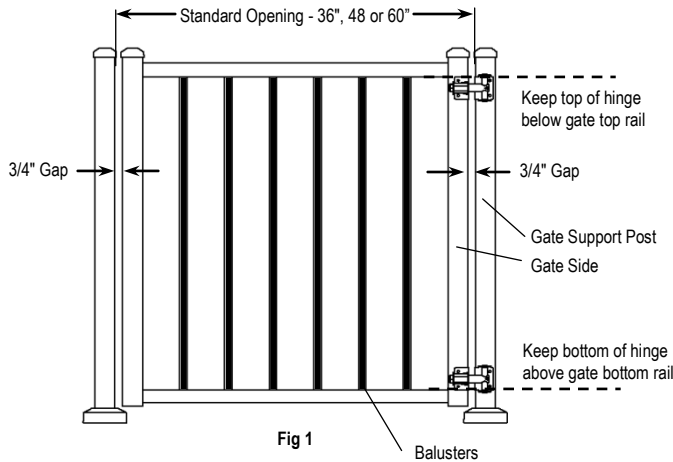
(Style C10, C101)

Adjustable Gate Installation Instructions

- These instructions must be followed exactly as written and the materials used must be exactly as shown in the instructions. Any deviation from the instructions or variation in the materials used/installed may result in an unsuccessful installation.

Standard Width Gate

1. Position hinges on gate as shown (Fig 1).

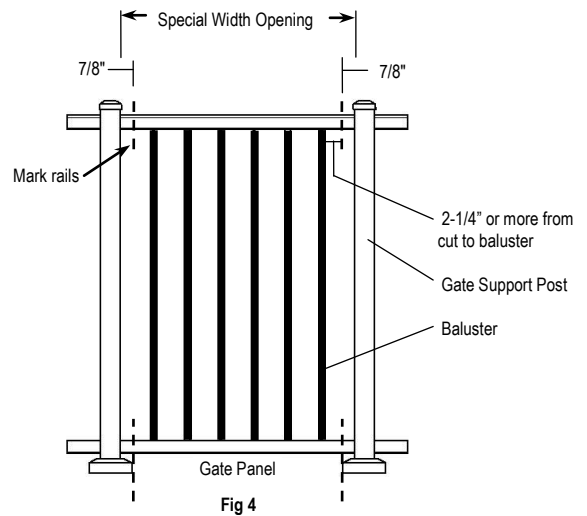


2. Follow installation instructions included with hinges and latches. **NOTE: Align gate rails with adjacent railing when attaching gate to gate support post.**

Special Width Gate Cont'd

3. Position gate panel against gate support posts with equal baluster spacing on each end of rails (if possible). Mark rails where they are to be cut at 7/8" back from support post. (Fig 4). **NOTE: Make sure there will be 2 1/4" or more of rail before the first baluster on each end.**

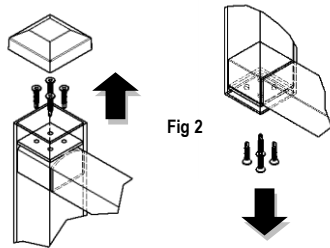
(If a baluster is cut out of gate, there may be instances when that area of the rail will be inserted into the gate side when reassembling the gate. If this occurs you will need to grind the weld down flush with the rail. This will allow the rail to be installed back into the gate sides.)



4. Cut top and bottom rails.
5. Slide gate sides onto rails. Pre-drill holes into top and bottom rails using a 1/8" drill bit before replacing screws. Reinstall screws and caps that were removed in Step 1. Gate is ready to install.

Special Width Gate

1. Remove caps from both gate sides by lightly tapping with a rubber mallet. Remove screws inside top and bottom of each gate side (Fig 2).



2. Remove gate sides (Fig 3).

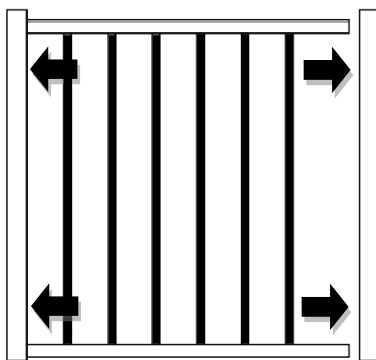


Fig 3