

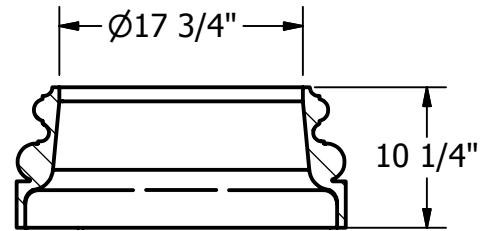
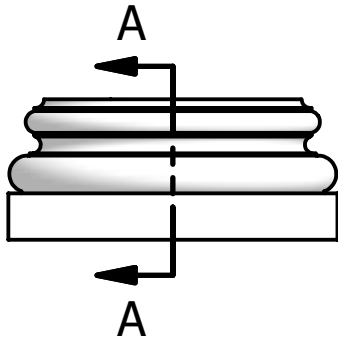
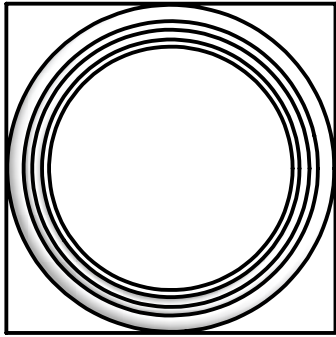
2



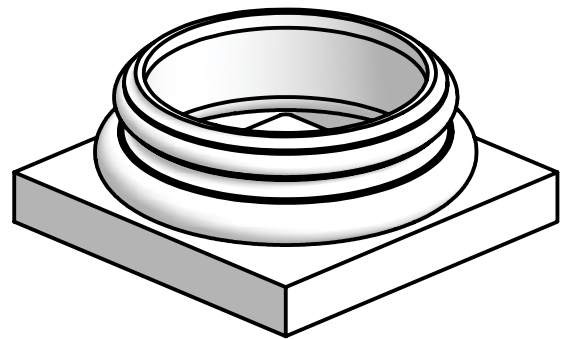
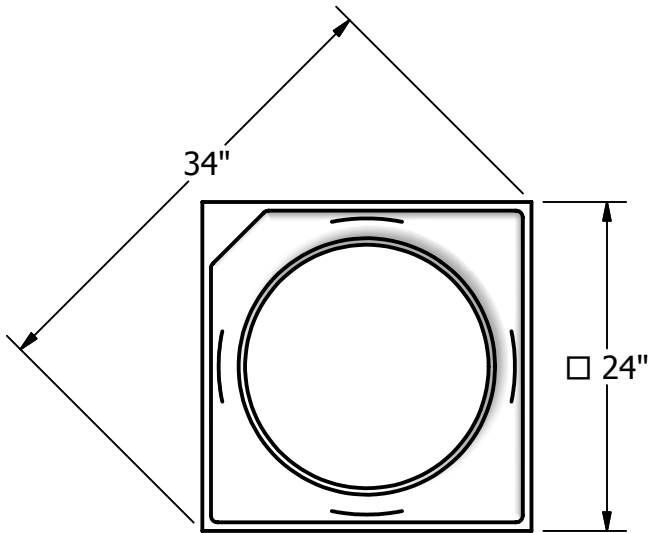
1

**NOTES:**

- 1. MATERIAL: FIBERGLASS REINFORCED POLYMER (FRP)
- 2. WEIGHT: 54 Lbs.
- 3. INSIDE DIAMETER: 17 3/4 "
- 4. OUTSIDE DIAMETER: 24 "



SECTION A-A



NOT TO SCALE

DRAWN	Bryan Daniels	5/19/2016
CHECKED		
QA		
APPROVED		



**DSI** Digger Specialties Inc.  
*Transforming the Outdoor Living Experience*



**Westbury**  
COLUMNS

TITLE <b>Fiberglass Attic Base 18 Inch</b>			
SIZE	A	DWG NO	AB2818
			REV <b>03</b>

DIMENSIONS ARE IN INCHES  
TOLERANCE: ± 1/4"

SCALE	1:14	SHEET 1 OF 1
-------	------	--------------

2



1