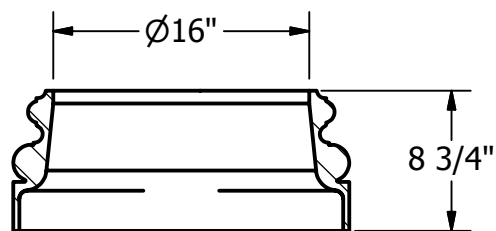
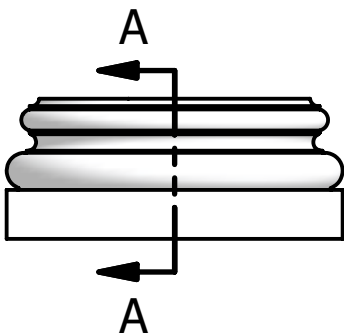
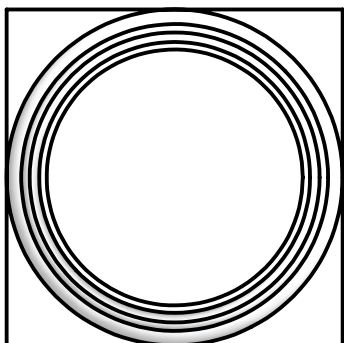


2

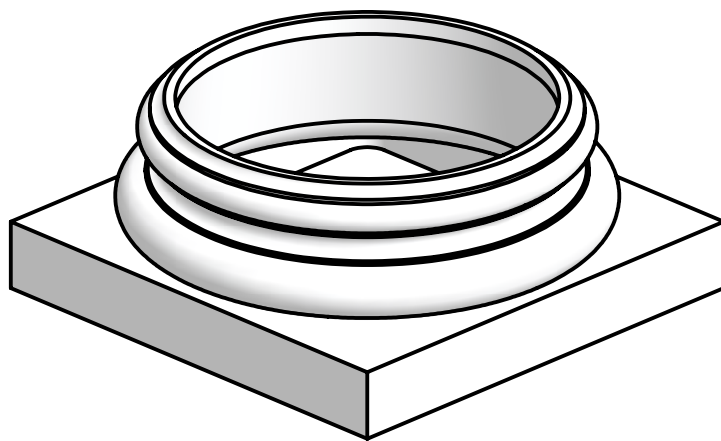
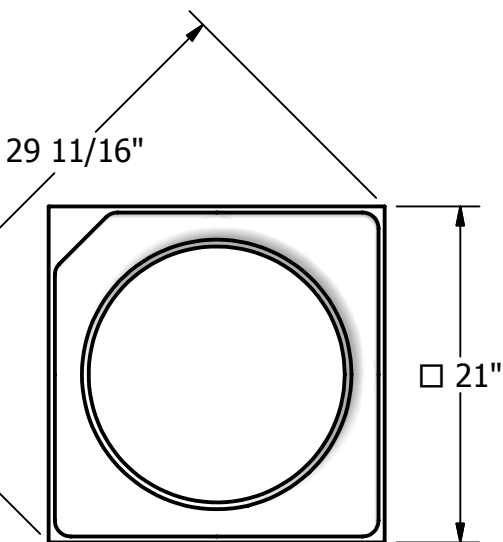
1

NOTES:

- 1. MATERIAL: FIBERGLASS REINFORCED POLYMER (FRP)
- 2. WEIGHT: 48 Lbs.
- 3. INSIDE DIAMETER: 16"
- 4. OUTSIDE DIAMETER: 21"




SECTION A-A




NOT TO SCALE

DRAWN	Bryan Daniels	5/19/2016
CHECKED		
QA		
APPROVED		

DIMENSIONS ARE IN INCHES
TOLERANCE: ± 1/4"



DSI Digger Specialties Inc.
Transforming the Outdoor Living Experience



Westbury
COLUMNS

TITLE
Fiberglass Attic Base 16 Inch

SIZE	A	DWG NO	AB2816	REV	03
SCALE	1:12	SHEET 1 OF 1			

2

1