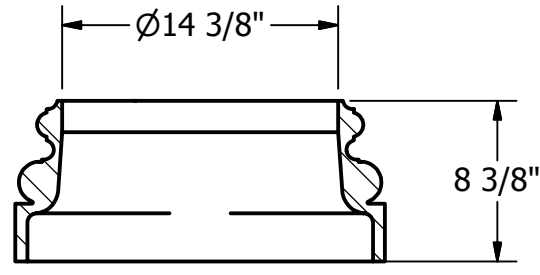
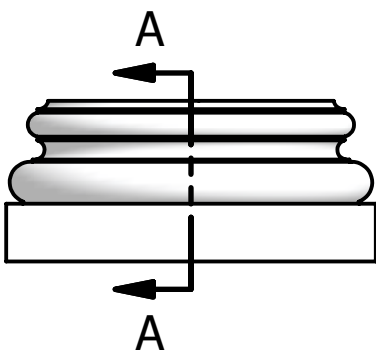
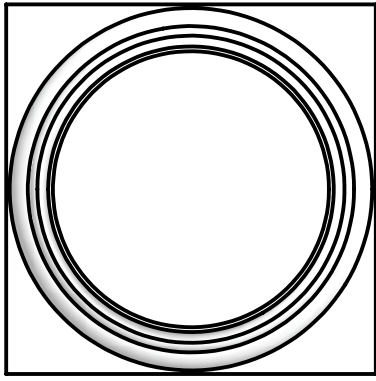


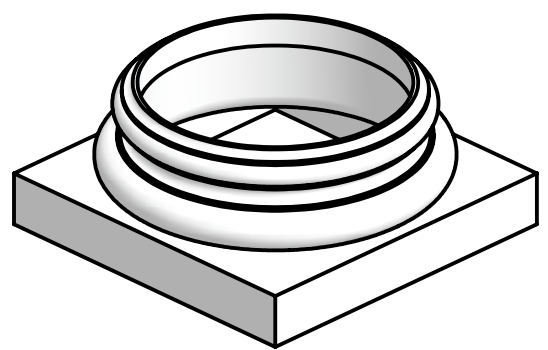
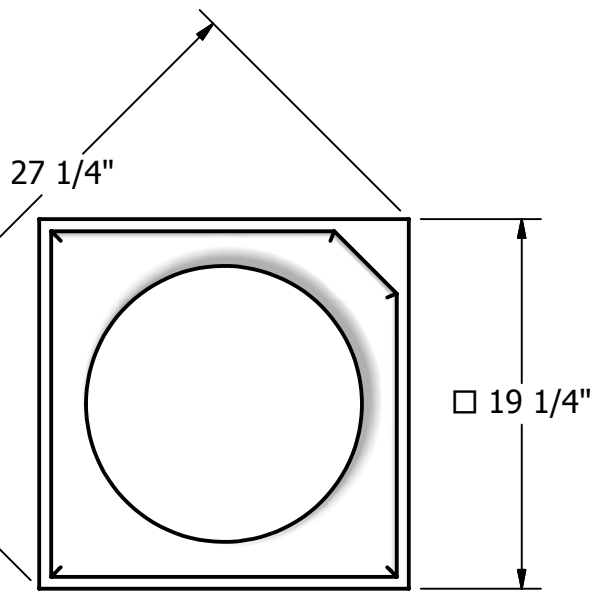
2

1

- NOTES:**
1. MATERIAL: FIBERGLASS REINFORCED POLYMER (FRP)
 2. WEIGHT: 34 Lbs.
 3. INSIDE DIAMETER: 14 3/8"
 4. OUTSIDE DIAMETER: 19 1/4"



SECTION A-A



NOT TO SCALE

DRAWN	Bryan Daniels	5/19/2016
CHECKED		
QA		
APPROVED		



DSI Digger Specialties Inc.
Transforming the Outdoor Living Experience



Westbury
COLUMNS

TITLE
Fiberglass Attic Base 14 Inch

DIMENSIONS ARE IN INCHES
TOLERANCE: ± 1/4"

SIZE	A	DWG NO	AB2814	REV	03
SCALE	1:10	SHEET 1 OF 1			

2

1