

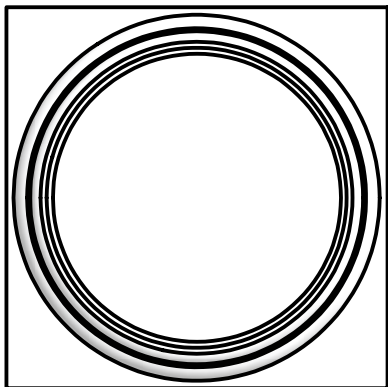
2



1

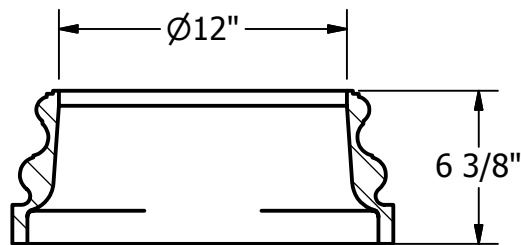
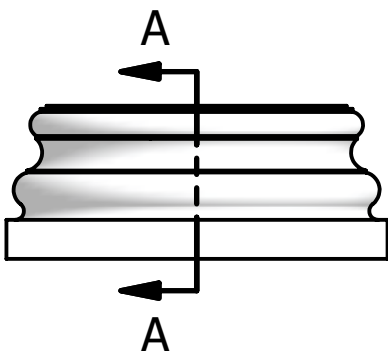
NOTES:

- 1. MATERIAL: FIBERGLASS REINFORCED POLYMER (FRP)
- 2. WEIGHT: 12 Lbs.
- 3. INSIDE DIAMETER: 12"
- 4. OUTSIDE DIAMETER: 15 7/8"

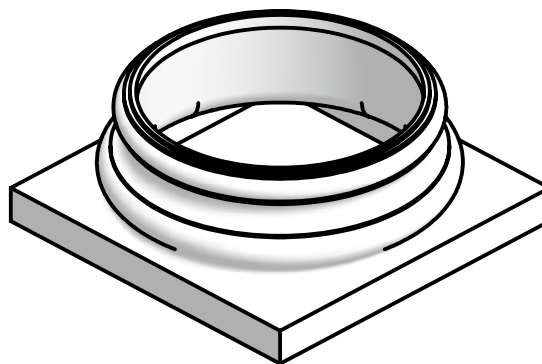
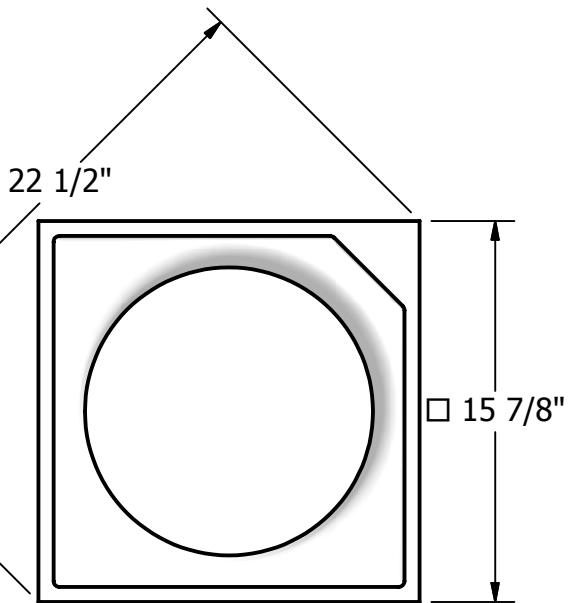


B

B



SECTION A-A



NOT TO SCALE

A

A

DRAWN	Bryan Daniels	5/19/2016
CHECKED		
QA		
APPROVED		



DSI Digger Specialties Inc.
Transforming the Outdoor Living Experience



Westbury
COLUMNS

TITLE Fiberglass Attic Base 12 Inch		
SIZE A	DWG NO AB2812	REV 03

DIMENSIONS ARE IN INCHES
TOLERANCE: ± 1/4"

SCALE 1:8	SHEET 1 OF 1
---------------------	----------------------------

2



1