

ADA Continuous Handrail

Installation Instructions

- It is the responsibility of the installer to meet all code and safety requirements, and to obtain all required building permits. The installer should determine and implement the installation techniques appropriate for each unique installation situation. Digger Specialties, Inc. and its distributors shall not be held liable for improper or unsafe installations.

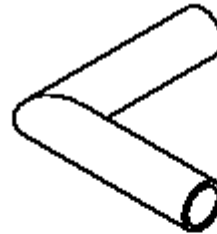
ADA Continuous Handrail Components



1-3/8" Aluminum Handrail



Wall Mount



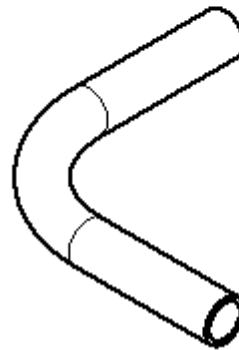
90° Welded Corner



Internal Connector



Wall End Mount



90° Elbow



Collar Ring



Wall Return



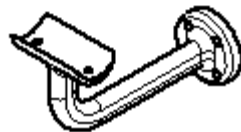
Internal End Cap



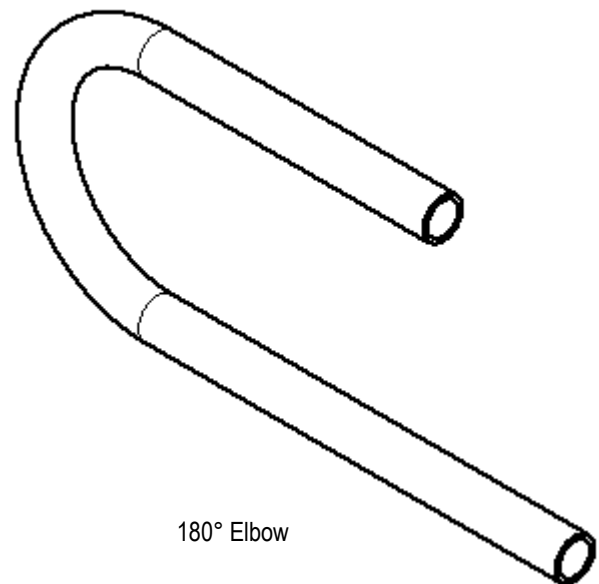
Inside Corner Mount



Adjustable Elbow



Extended Wall Mount



180° Elbow

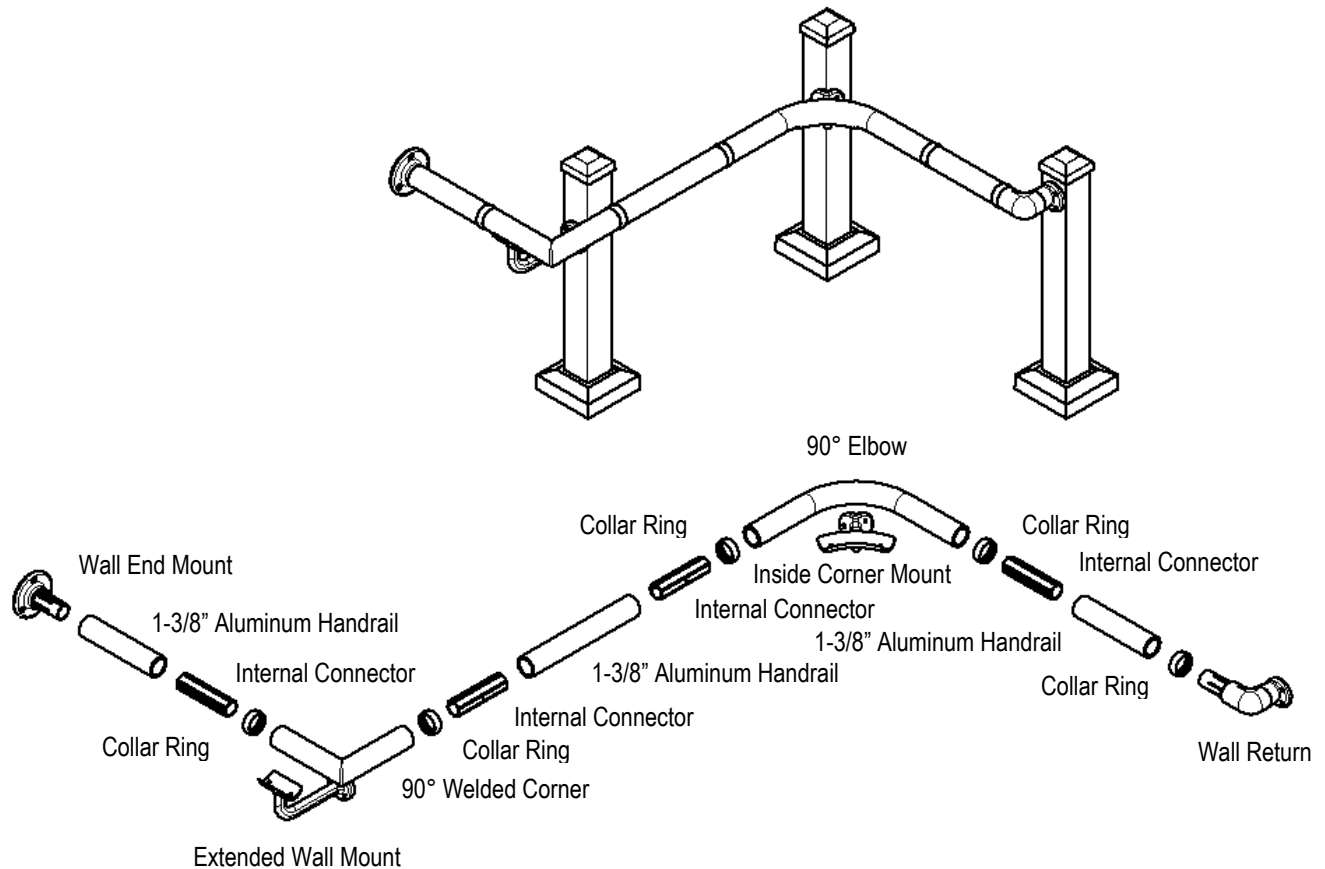
ADA Continuous Handrail

Installation Instructions

- It is the responsibility of the installer to meet all code and safety requirements, and to obtain all required building permits. The installer should determine and implement the installation techniques appropriate for each unique installation situation. Digger Specialties, Inc. and its distributors shall not be held liable for improper or unsafe installations.

Tools needed for ADA Continuous Handrail Installation:

Level	#2 Square Drive Bit
Square	#2 Phillips Head Bit
Tape Measure	Rubber Mallet
Cordless Drill	Aluminum Cutting Saw
Drill bits	DSI Touch-up Paint
Cordless Screw gun	



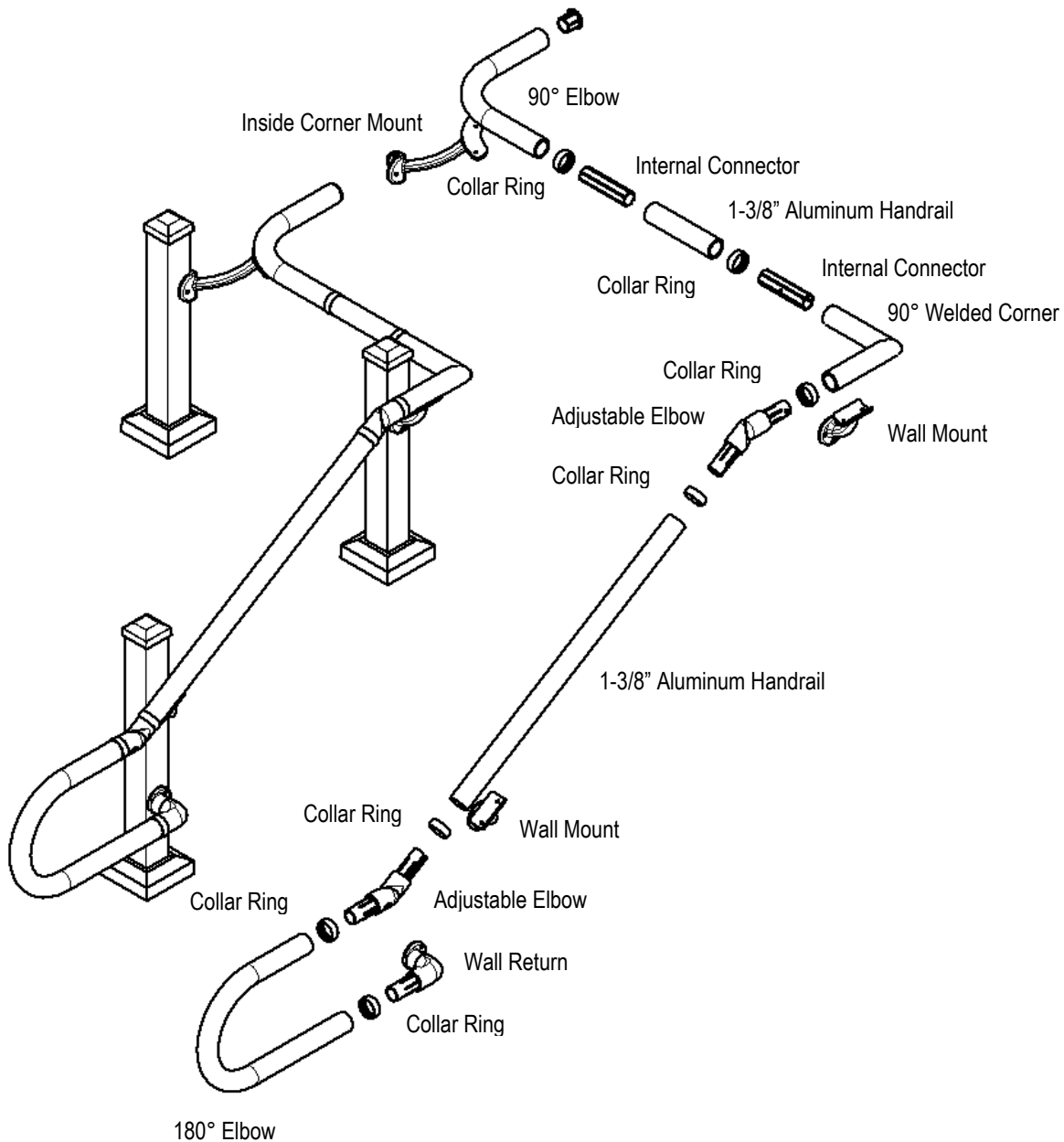
Level Configuration

Shown for illustrative purposes only.

ADA Continuous Handrail

Installation Instructions

- It is the responsibility of the installer to meet all code and safety requirements, and to obtain all required building permits. The installer should determine and implement the installation techniques appropriate for each unique installation situation. Digger Specialties, Inc. and its distributors shall not be held liable for improper or unsafe installations.



Stair Configuration

Shown for illustrative purposes only.

ADA Continuous Handrail

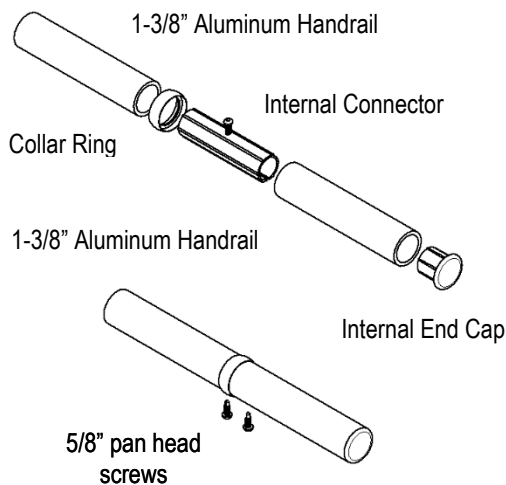
Installation Instructions

- It is the responsibility of the installer to meet all code and safety requirements, and to obtain all required building permits. The installer should determine and implement the installation techniques appropriate for each unique installation situation. Digger Specialties, Inc. and its distributors shall not be held liable for improper or unsafe installations.

Handrail with no Returns

Connecting Rails Together:

- Cut handrail(s) to desired length.
- Slide collar ring over one rail.
- Insert internal connector into one end of one of the rails.
NOTE: Insert until the screw bumps up to the rail.
- Place remaining rail over other end of internal connector.
- Using a #2 square head screwdriver, remove the screw from the internal connector.
- Push the other rail over the internal connector and into the collar ring.
- Insert internal end cap into open ends of rails (where applicable).
- Use the 5/8" pan head screws (provided) to make a positive connection between internal connector and rails. Pre-drilling may be required.
- Attach rails to wall mount.
Note: Rails can also be connected without using collar rings

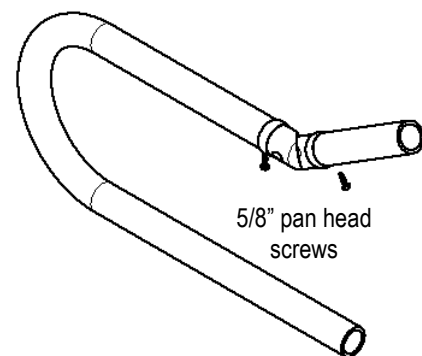
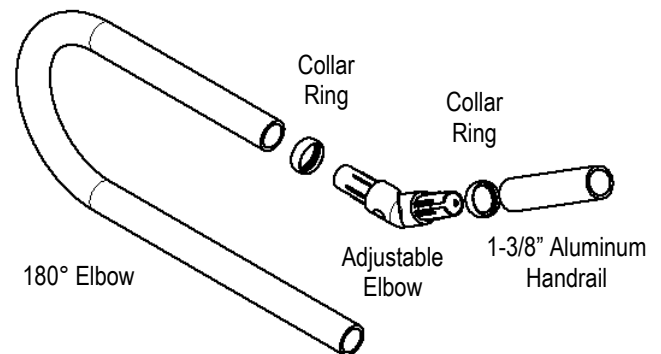


Handrail with Returns continued

- When using an elbow, it will follow the degree of the steps and level out at both the top and bottom of the step.
- Once you level out, there are several options that can be used:

Option 1: Use a handrail return (180° elbow) to return to a post.
Option 2: Use adjustable elbow to follow degree of steps.

- If using a collar ring, slide onto rail before inserting wall return.
- Use the 5/8" pan head screws (provided) to make a positive connection between adjustable elbow and rails. Pre-drilling may be required.



Wall Returns:

- If attaching the handrail to a wall or post, a wall return may be used.
- Cut handrail to desired length.
- If using a collar ring, slide onto rail before inserting the wall return.
- Insert the wall return into the rail.
- Secure the wall return to wall using appropriate fasteners for mounting surface. Pre-drilling may be required.

Handrail with Returns

Elbows:

NOTE: When using returns for stairs or handicap ramps, adjustable elbows and wall returns may be needed at the top and bottom of the steps. Review local codes for specific requirements.

ADA Continuous Handrail

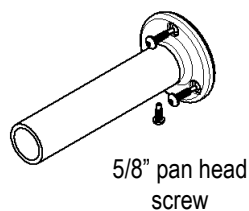
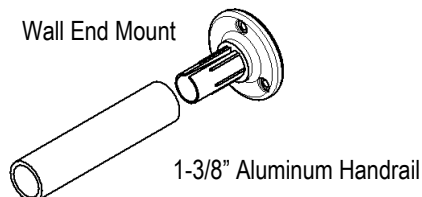
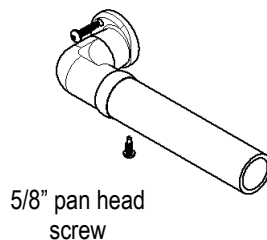
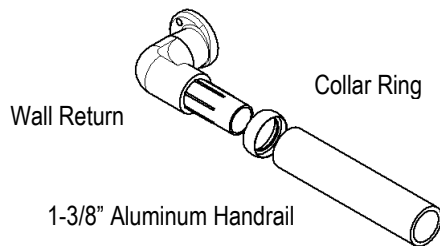
Installation Instructions

- It is the responsibility of the installer to meet all code and safety requirements, and to obtain all required building permits. The installer should determine and implement the installation techniques appropriate for each unique installation situation. Digger Specialties, Inc. and its distributors shall not be held liable for improper or unsafe installations.

Handrail with Returns continued

- Use the 5/8" pan head screws (provided) to make a positive connection between wall return and rails. Pre-drilling may be required.

NOTE: This applies to Wall End Mounts also.



Wall Mounts

NOTE: The recommended height for handrail is 34" to 38" above the nose of the stair tread.

- Position wall mount on post or wall.
- A standard wall mount has (3) 1/4" holes to receive fasteners. An extended wall mount has (4) 1/4" holes to receive

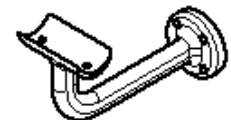
Wall Mounts continued

fasteners. Use appropriate fasteners for mounting surface. Pre-drilling may be required.

- If you need to pivot the mount, you can put (1) fastener in the bottom hole and pivot to the position you need.
- Attach handrail to wall mounts with 5/8" pan head screws



Wall Mount



Extended Wall Mount

(provided). Pre-drilling may be required.

NOTE: It is recommended the wall mounts be at 6' maximum spacing.

Inside Corners

NOTE: When an inside corner is needed on a level area, a 90° elbow and inside corner mount is used. Usually, a wall mount cannot be used on an inside corner if the post is in the corner.

- Attach the inside corner mount to post with included fasteners.
- Cut rail(s) to desired length.
- Slide collar ring over one rail.
- Insert internal connector into rail.
NOTE: Insert until the screw bumps up to the rail.
- Place 90° elbow over end of internal connector.
- Using a #2 square head screwdriver, remove the screw from the internal connector.
- Push rail and 90° elbow over the internal connector and into the collar ring.
- Attach 90° elbow to inside corner mount.
- Use the 5/8" pan head screws (provided) to make a positive connection between internal connector and rails. Pre-drilling may be required.

Note: Inside corners can also be installed without using collar rings.

