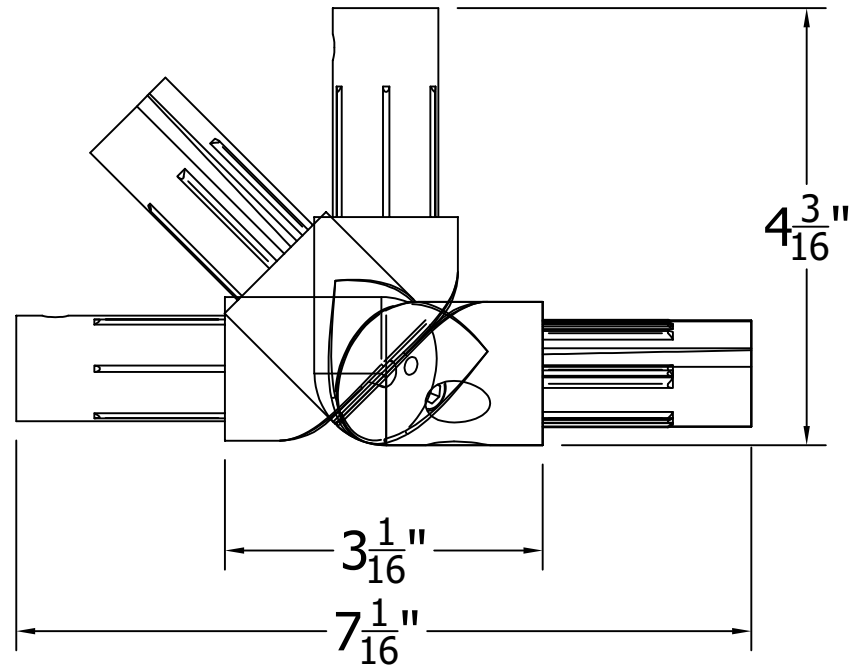
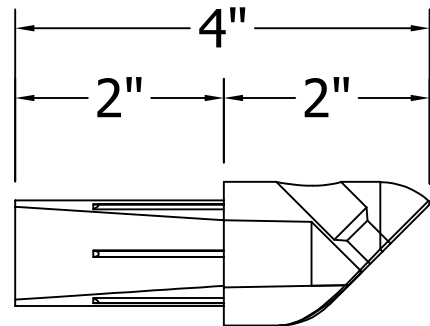
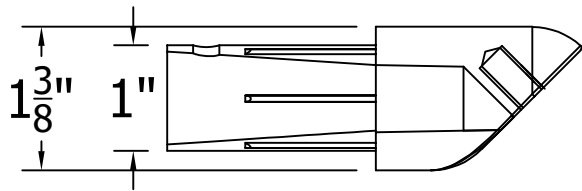
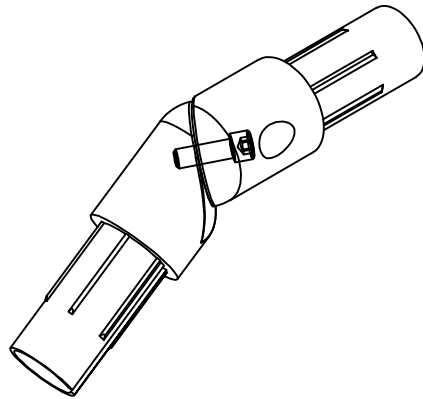




REV.	LOC.	REVISION	DATE
A		Updated Logos	1/6/21



	 <p><i>Transforming the Outdoor Living Experience™</i></p> <p>3446 US 6 EAST Bremen, IN 46506 diggerspecialties.com</p>	DRAWN BY: EH DATE DRAWN: 02-25-2020	STYLE: Adjustable Elbow
		SCALE = 1":1" DRAFT NO.: 20200225-1E	AS SHOWN: LOC: Z:\Aluminum\ADA Continuous Handrail
		REV. A	

4

3

2

1

D

C

B

A