

Adjustable Aluminum Gate

Installation Instructions

- It is the responsibility of the installer to meet all code and safety requirements, and to obtain all required building permits. The installer should determine and implement the installation techniques appropriate for each unique installation situation. Digger Specialties, Inc. and its distributors shall not be held liable for improper or unsafe installations.

Tools Recommended

Tape Measure	Reciprocating Saw or
Marker	Chop Saw
Screw Gun	Saw Blade aluminum cut
#3 Phillips Bit	Rubber Mallet

Single Gate 72" Tall cont'd

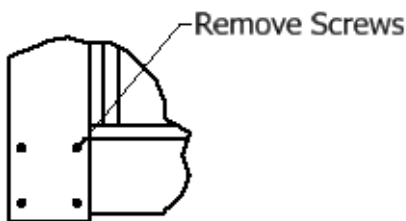
- Starting from the exposed ends of the top and bottom rails, measure the distance needed (amount cut off from Step Three) and mark rails for cutting.
- Remove enough privacy verticals so they are not damaged when cutting the gate down to proper width.
- Cut rails along marked line with saw.
- Trim the same amount off the vertical panels that you did on the rails and reinstall in gate frame.
- Slide rails back onto the gate side and fasten with screws that were removed in Step Four.
- Place caps on top of gate with rubber mallet.

Hinge Side of Gate

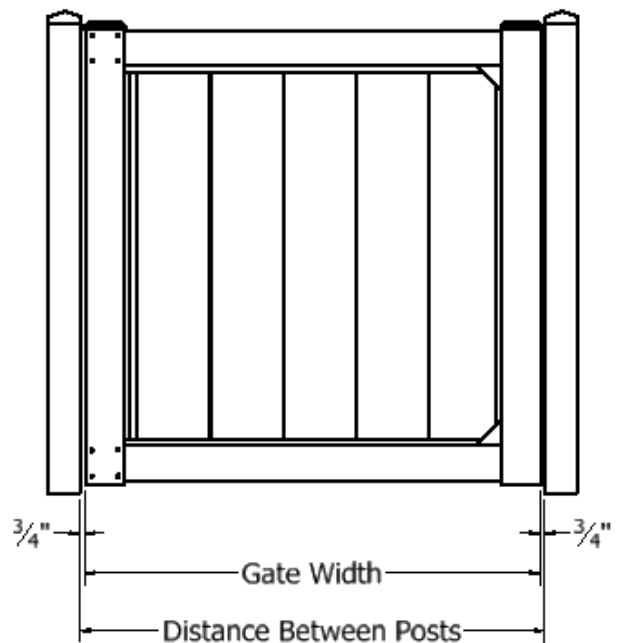
Note: All Adjustable Aluminum Gates are to be hinged on side with welded gussets. Do not hinge on side with removable upright.

Single Gate 72" Tall

- Measure opening from inside of post to inside of post.
- Take the measurement from Step One and subtract $1\frac{1}{2}$ ". This will be the actual width of the gate.
- Measure the overall width of the gate to be installed. Using this measurement subtract the width measurement determined from Step Two to find the amount you will need to trim off the gate.
- Take the screws out of the 2" x 6" gate upright.



- Pull the gate upright off the top and bottom rails.



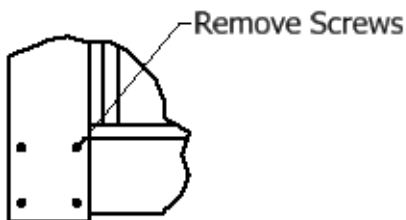
Adjustable Aluminum Gate

Installation Instructions

- It is the responsibility of the installer to meet all code and safety requirements, and to obtain all required building permits. The installer should determine and implement the installation techniques appropriate for each unique installation situation. Digger Specialties, Inc. and its distributors shall not be held liable for improper or unsafe installations.

Single Gate 84" and 96" Tall

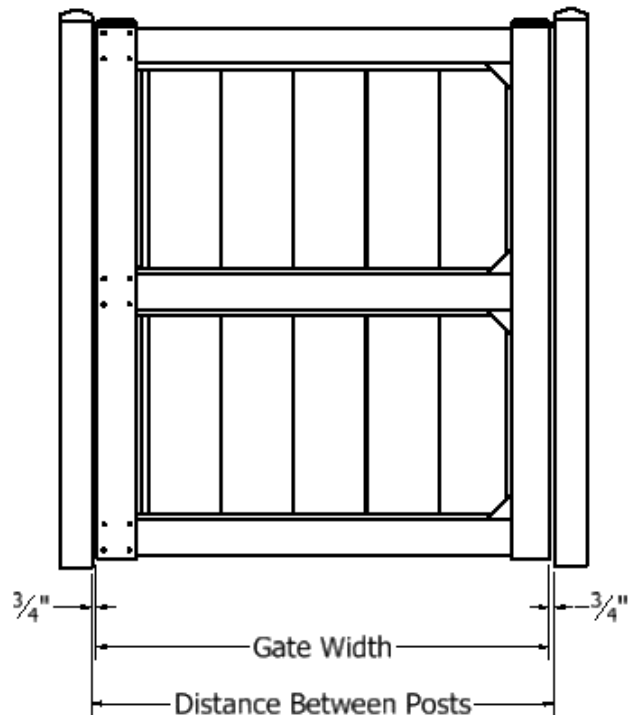
- Measure opening from inside of post to inside of post.
- Take the measurement from Step One and subtract $1\frac{1}{2}$ ". This will be the actual width of the gate.
- Measure the overall width of the gate to be installed. Using this measurement subtract the width measurement determined from Step Two to find the amount you will need to trim off the gate.
- Take the screws out of the 2" x 6" gate upright.



- Pull the gate upright off the top, mid, and bottom rails.
- Starting from the exposed ends of the top, mid, and bottom rails, measure the distance needed (amount cut off from Step Three) and mark rails for cutting.
- Remove enough privacy verticals so they are not damaged when cutting the gate down to proper width.
- Cut rails along marked line with saw.
- Trim the same amount off the vertical panels that you did on the rails and reinstall in gate frame.
- Slide rails back onto the gate side and fasten with screws that were removed in Step Four.

Single Gate 84" and 96" Tall cont'd

- Place caps on top of gate with rubber mallet.



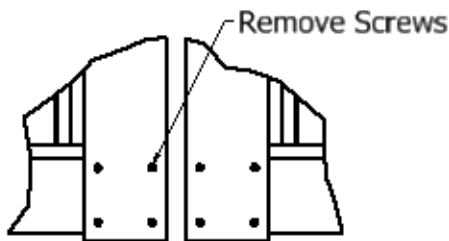
Adjustable Aluminum Gate

Installation Instructions

- It is the responsibility of the installer to meet all code and safety requirements, and to obtain all required building permits. The installer should determine and implement the installation techniques appropriate for each unique installation situation. Digger Specialties, Inc. and its distributors shall not be held liable for improper or unsafe installations.

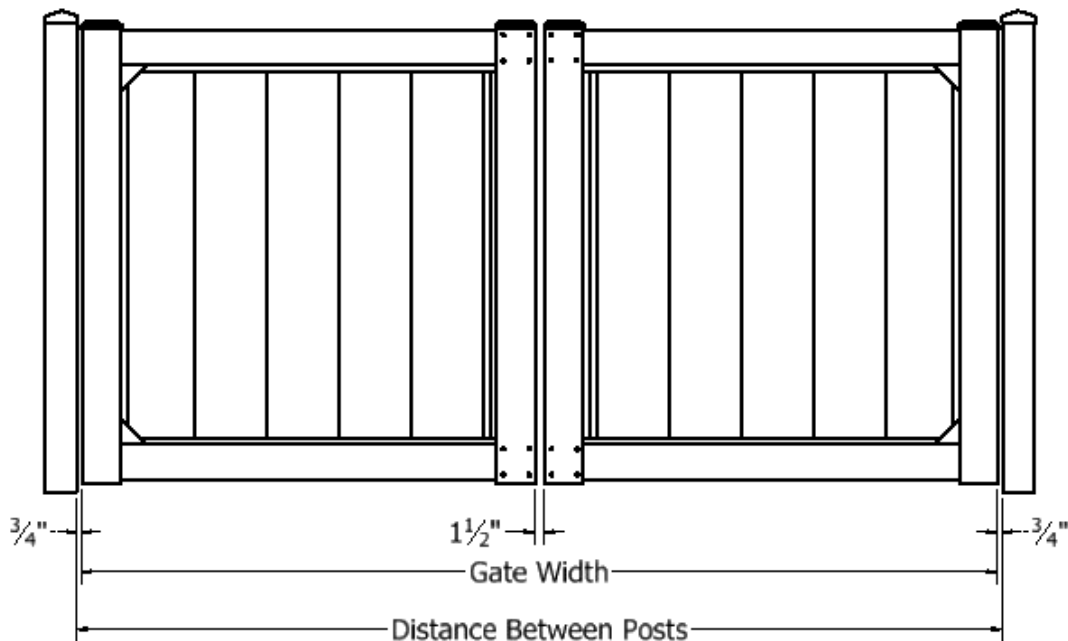
Double Drive Gate 72" Tall

- Measure opening from inside of post to inside of post.
- Take measurement from Step One and subtract 3". Take that measurement and divide it by two. This will be the actual width of each gate leaf.
- Measure the overall width of the gate to be installed. Using this measurement subtract the width measurement determined from Step Two to find the amount you will need to trim off the gate leaves.
- Take the screws out of the 2" x 6" gate uprights.



Double Drive Gate 72" Tall cont'd

- Pull the gate uprights off the top and bottom rails.
- Starting from the exposed ends of the top and bottom rails, measure the distance needed (amount cut off from Step Three) and mark rails for cutting.
- Remove enough privacy verticals so they are not damaged when cutting the gate down to proper width.
- Cut rails along marked line with saw.
- Trim the same amount off the vertical panels that you did on the rails and reinstall in gate frame.
- Slide rails back onto the gate sides and fasten with screws that were removed in Step Four.
- Place caps on top of gate with rubber mallet.



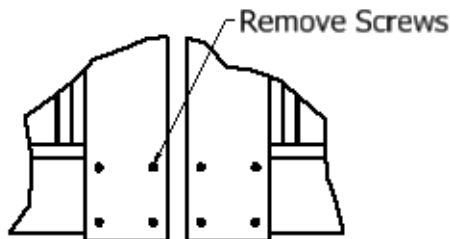
Adjustable Aluminum Gate

Installation Instructions

- It is the responsibility of the installer to meet all code and safety requirements, and to obtain all required building permits. The installer should determine and implement the installation techniques appropriate for each unique installation situation. Digger Specialties, Inc. and its distributors shall not be held liable for improper or unsafe installations.

Double Drive Gate 84" and 96" Tall

- Measure opening from inside of post to inside of post.
- Take measurement from Step One and subtract 3". Take that measurement and divide it by two. This will be the actual width of each gate leaf.
- Measure the overall width of the gate to be installed. Using this measurement subtract the width measurement determined from Step Two to find the amount you will need to trim off the gate leaves.
- Take the screws out of the 2" x 6" gate uprights.



Double Drive Gate 84" and 96" Tall cont'd

- Pull the gate uprights off the top, mid, and bottom rails.
- Starting from the exposed ends of the top, mid, and bottom rails, measure the distance needed (amount cut off from Step Three) and mark rails for cutting.
- Remove enough privacy verticals so they are not damaged when cutting the gate down to proper width.
- Cut rails along marked line with saw.
- Trim the same amount off the vertical panels that you did on the rails and reinstall in gate frame.
- Slide rails back onto the gate sides and fasten with screws that were removed in Step Four.
- Place caps on top of gate with rubber mallet.

