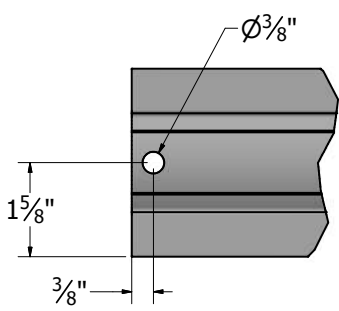
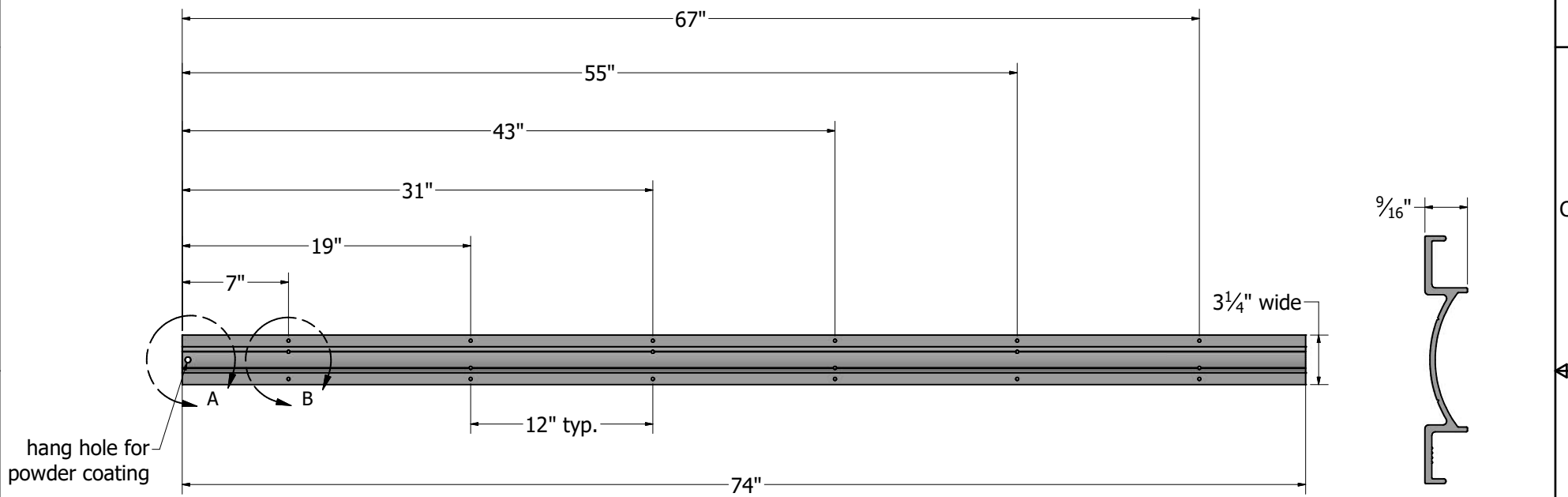
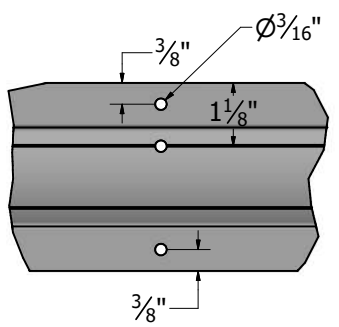


REV.	DESCRIPTION	DATE
A	Increased hang hole diameter to .38" / centered on rail.	11/02/2018
B	Moved hang hole .500" off center.	04/09/2019
C	Moved hang hole to center of profile.	04/24/2019




DETAIL A
SCALE 0.6 : 1



DETAIL B
SCALE 0.6 : 1

Note:
From profile #94244.

 Digger Specialties Inc. <i>Transforming the Outdoor Living Experience</i> 3446 US 6 EAST BREMEN, IN 46506 www.diggerspecialties.com	WEIGHT: 2.661 lbs	DRAWN BY: FSB	MATERIAL:	
	STANDARD TOLERANCE: .00 .01 .000 .005 ANG. .5~	DATE DRAWN: 1/23/2018	Aluminum 6063-T6	
	FRACTIONS: $\pm \frac{1}{16}$	DRAFT NO. 20181102-4F	PART NAME: 73279 Westbury Drinkrail Adapt 74.idw	REV. C
FILE LOC: Z:\Aluminum\Westbury\Drink Rail\73279 Westbury Drinkrail Adapt 74.idw		PART NUMBER: 73279		