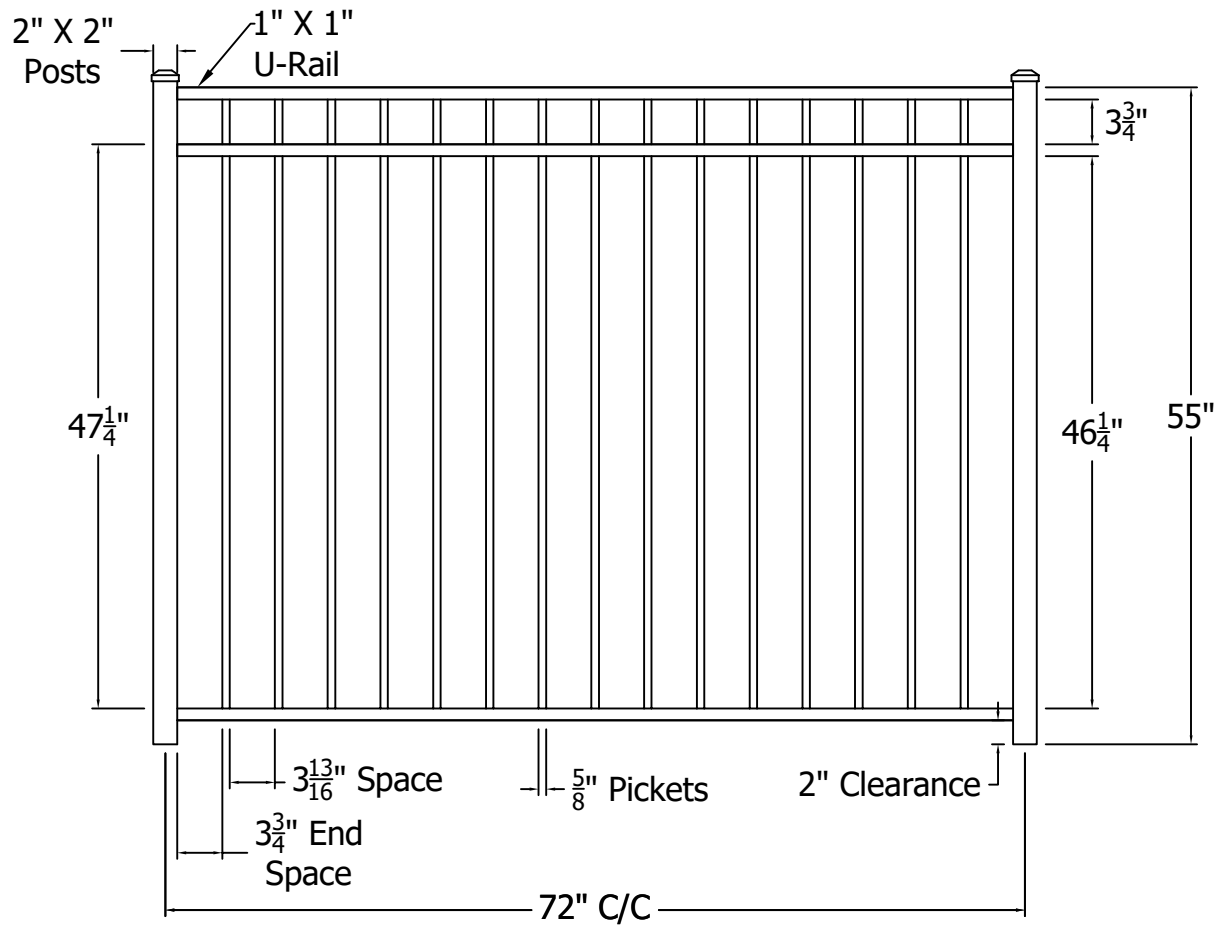


REV.	LOC.	REVISION	DATE



	Complies With ASTM F2409 And F1908 For Height And Spacing		 3446 US 6 EAST Bremen, IN 46506 diggerspecialties.com	DRAWN BY: EH	STYLE:
				DATE DRAWN: 03-04-2021	6230 Pool
				SCALE = 1":1"	AS SHOWN: 55" T
				DRAFT NO.: 20210304-1E	LOC: Z:\Aluminum\Regis\6000 Series\6000 Series Sections\Updated Standard Drawings
				REV.	

4

3

2

1

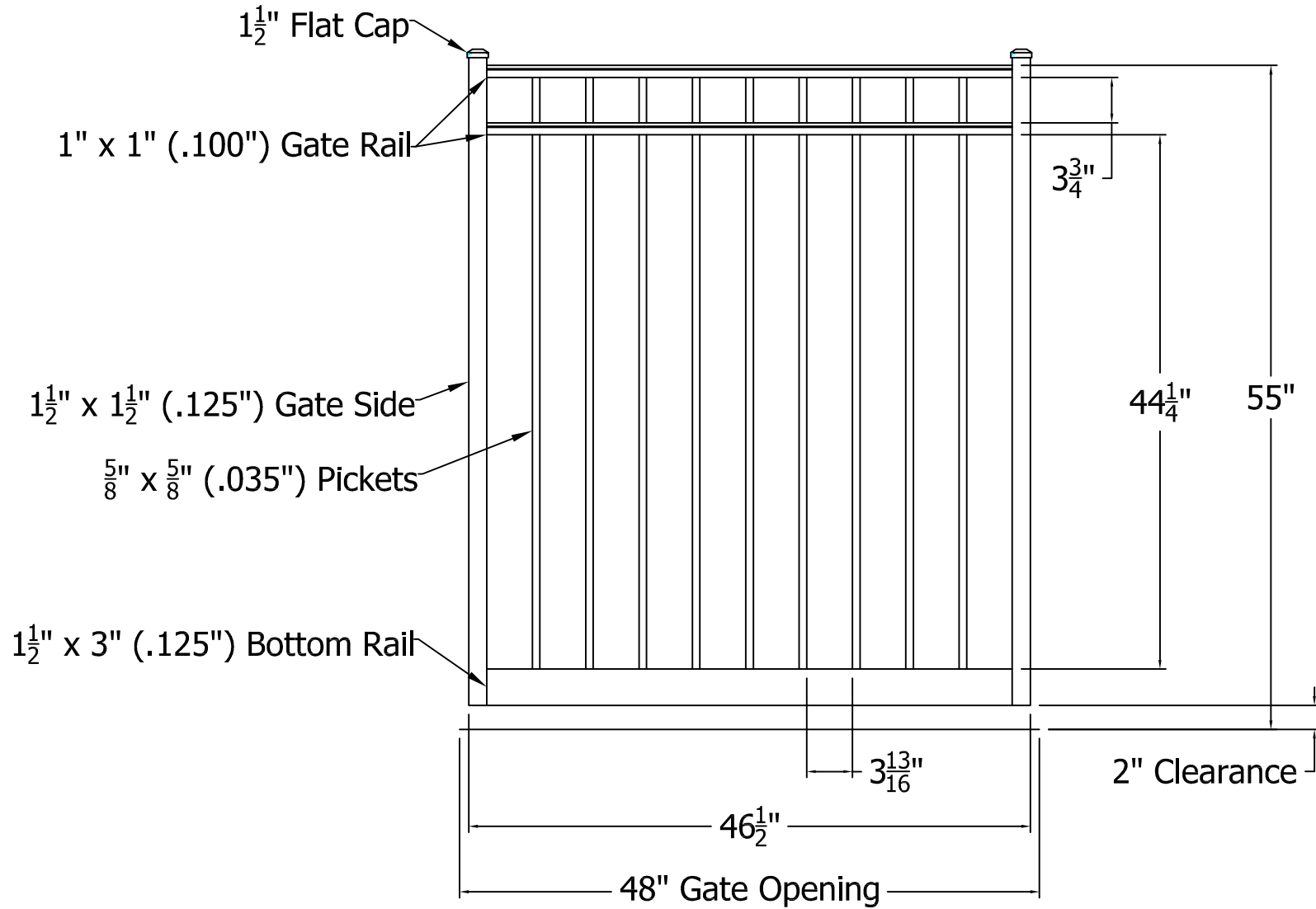
D



C

B

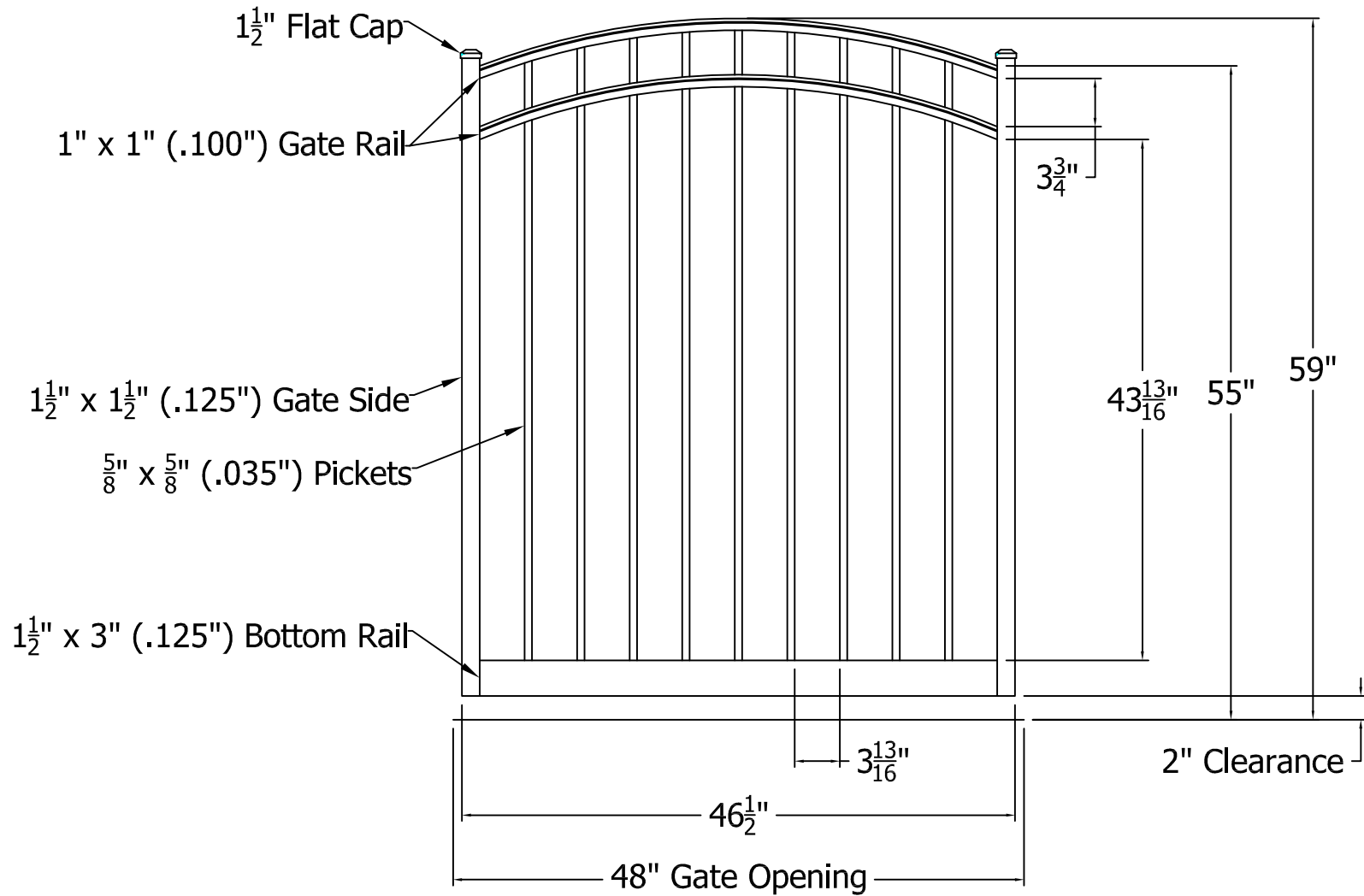
A



REV.	LOC.	REVISION	DATE
A		RELEASE PENDING APPROVAL	



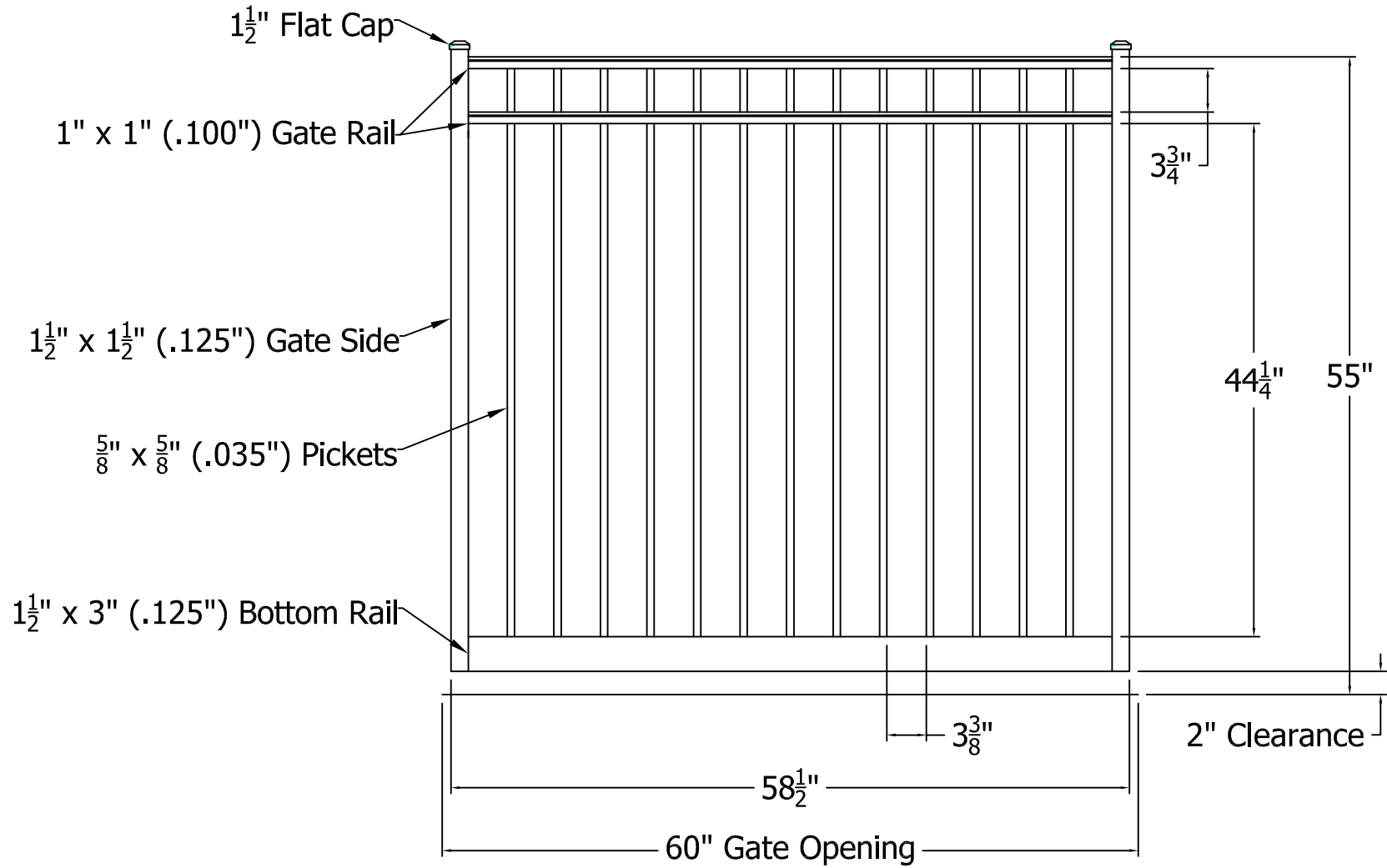
	 <p>3446 US 6 EAST Bremen, IN 46506 diggerspecialties.com</p>	SHEET SIZE= C	DRAWN BY: CM	PART NUMBER or STYLE: 6230 FB 48W 55T	
		SCALE = 1":1"	DATE DRAWN: 11-07-2017	Quote Requested by:	
STANDARD TOLERANCE: .00 ±.01 FRACTIONS: .000 ±.005 ±1/16" ANG. ±.5°		LOC: Z:\Aluminum\Regls\6000 Series\6000 Series Gates	FIRST USED ON:		
ALUMINUM FENCING		20171107-1C	PART NAME: U-Frame Gate	SHEET of	REV. A



REV.	LOC.	REVISION	DATE
A		RELEASE PENDING APPROVAL	



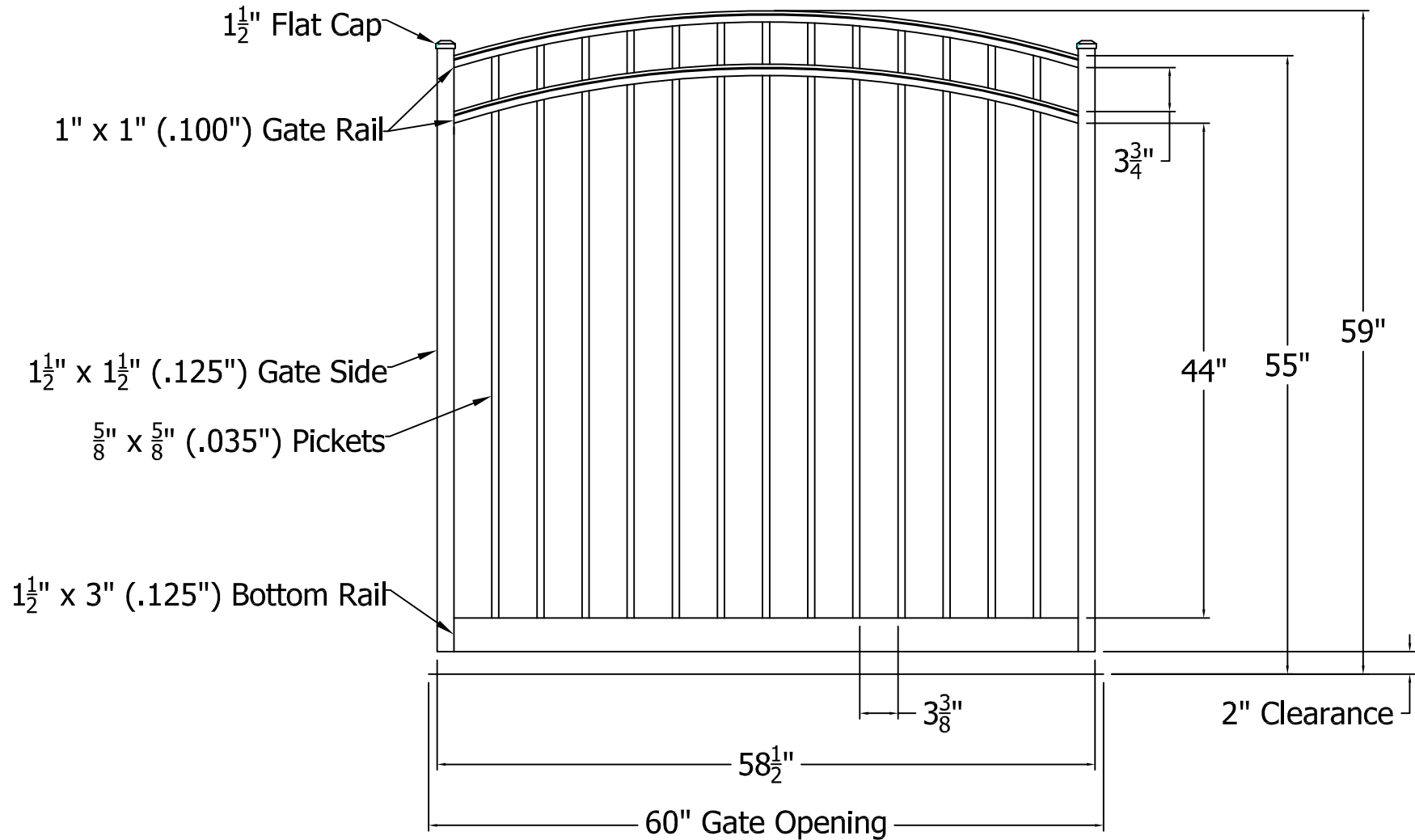
	 <p>3446 US 6 EAST Bremen, IN 46506 diggerspecialties.com</p>	SHEET SIZE= C SCALE = 1":1" STANDARD TOLERANCE: .00 ±.01 FRACTIONS: .000 ±.005 ± $\frac{1}{16}$ " ANG. ±.5°	DRAWN BY: CM DATE DRAWN: 11-09-2017	PART NUMBER or STYLE: 6230 FB 48W 55T Arch	
		FIRST USED ON: DRAFT: 20171109-3C	LOC: Z:\Aluminum\Regls\6000 Series\6000 Series Gates\Arch	Quote Requested by:	PART NAME: U-Frame Gate



REV.	LOC.	REVISION	DATE
A		RELEASE PENDING APPROVAL	



	 <p>3446 US 6 EAST Bremen, IN 46506 diggerspecialties.com</p>	SHEET SIZE= C	DRAWN BY: CM	PART NUMBER or STYLE: 6230 FB 60W 55T	
		SCALE = 1":1"	DATE DRAWN: 11-07-2017	Quote Requested by:	
STANDARD TOLERANCE: .00 ±.01 FRACTIONS: .000 ±.005 ±.1" ANG. ±.5° ±16"	FIRST USED ON:	LOC: Z:\Aluminum\Regls\6000 Series\6000 Series Gates	PART NAME: U-Frame Gate		
		DRAFT: 20171107-2C	SHEET OF	REV. A	

REV.	LOC.	REVISION	DATE
A		RELEASE PENDING APPROVAL	



	 <p>3446 US 6 EAST Bremen, IN 46506 diggerspecialties.com</p>	SHEET SIZE= C	DRAWN BY: CM	PART NUMBER or STYLE: 6230 FB 60W 55T Arch
		SCALE = 1":1"	DATE DRAWN: 11-09-2017	
STANDARD TOLERANCE: .00 ±.01 FRACTIONS: .000 ±.005 ±1/16" ANG. ±.5°	FIRST USED ON:	LOC: Z:\Aluminum\Regs\6000 Series\6000 Series Gates\Arch	Quote Requested by:	
		DRAFT: 20171109-4C	PART NAME: U-Frame Gate	SHEET OF