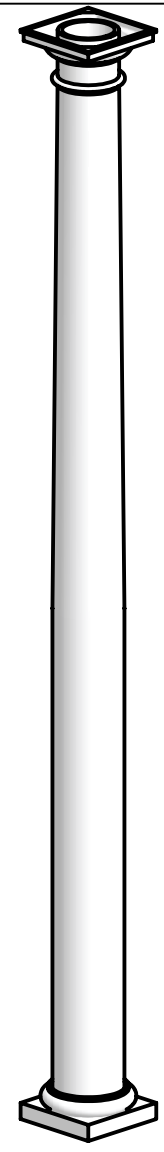
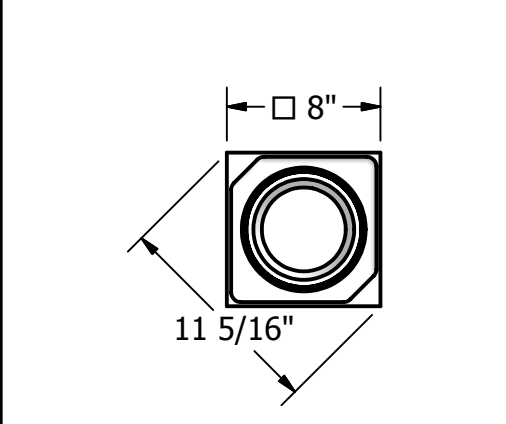
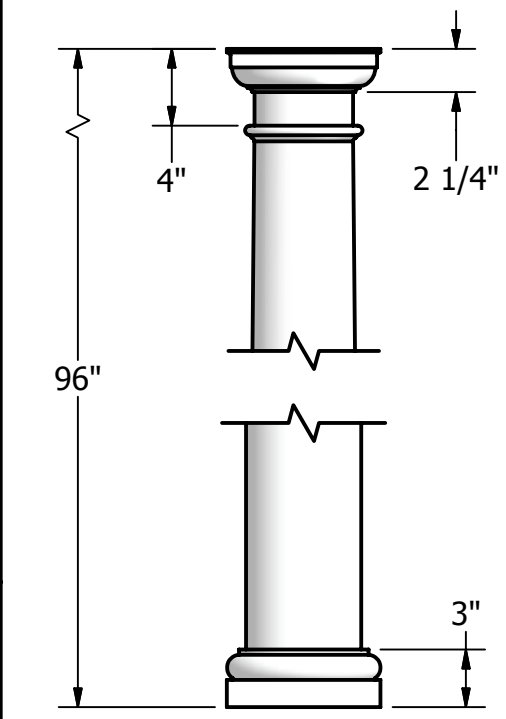




- NOTES:**
1. MATERIAL: FIBERGLASS REINFORCED POLYMER (FRP)
 2. WEIGHT: COLUMN: 44 Lbs.
CAP: 2 Lbs.
BASE: 3 Lbs.
 3. MATERIAL THICKNESS.
COLUMN: 3/8"
 4. INSIDE DIAMETER AT TOP OF COLUMN: 4 3/8"
 5. OUTSIDE DIAMETER AT TOP OF COLUMN: 5 1/8"
 6. INSIDE DIAMETER AT BOTTOM OF COLUMN: 5 1/4"
 7. OUTSIDE DIAMETER AT BOTTOM OF COLUMN: 6"
 8. TAPER STARTS FROM BOTTOM OF COLUMN: 45"



NOT TO SCALE

DRAWN	Bryan Daniels	5/10/2016
CHECKED		
QA		
DIMENSIONS ARE IN INCHES TOLERANCE: ± 1/4"		

 <i>Transforming the Outdoor Living Experience</i>			
TITLE Fiberglass Tuscan Round, Smooth 6" x 8'			
SIZE	A	DWG NO	SM0608
SCALE	1:10		REV 03
		SHEET 1 OF 1	