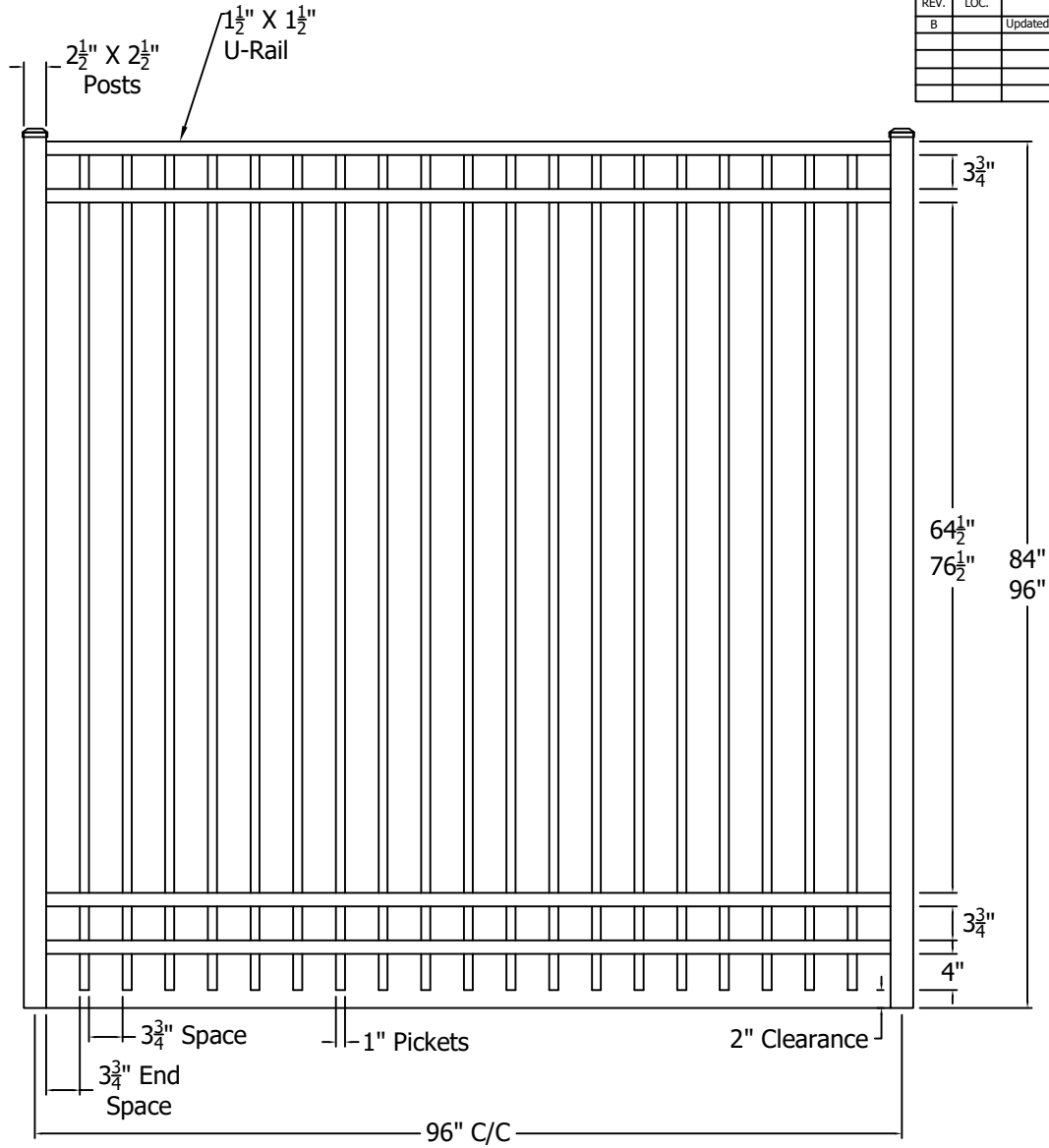


REV.	LOC.	REVISION	DATE
B		Updated Logos	12/21/20





D

C

B

A

	 <p>3446 US 6 EAST Bremen, IN 46506 diggerspecialties.com</p>	DRAWN BY: EH DATE DRAWN: 12-21-2020	STYLE: 5240
		SCALE = 1":1" DRAFT NO.: 20201221-1E	AS SHOWN: 96" T LOC: Z:\Aluminum\Regis\5000 Series\Updated Standard Drawings
		REV. B	

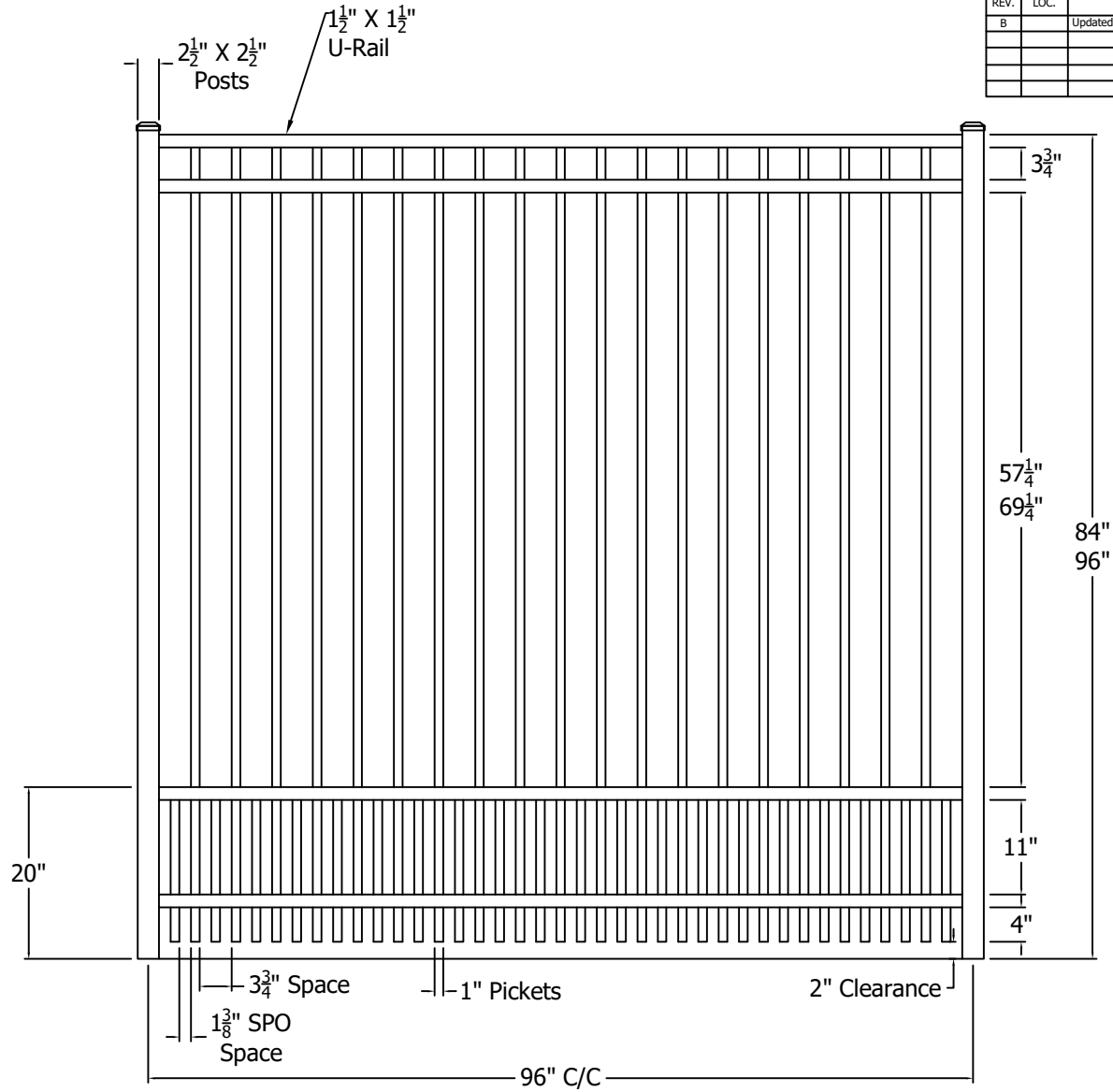
4



3

2

1

REV.	LOC.	REVISION	DATE
B		Updated Logos	12/21/20



	 <p>3446 US 6 EAST Bremen, IN 46506 diggerspecialties.com</p>	DRAWN BY: EH DATE DRAWN: 12-21-2020	STYLE: 5240 Short Picket Option
		SCALE = 1":1" DRAFT NO.: 20201221-1E	AS SHOWN: 96" T LOC: Z:\Aluminum\Regis\5000 Series\Updated Standard Drawings
		REV. B	

4

3

2

1

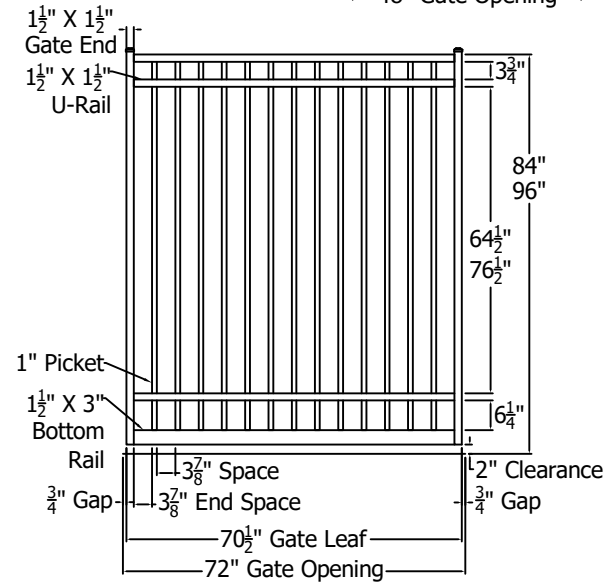
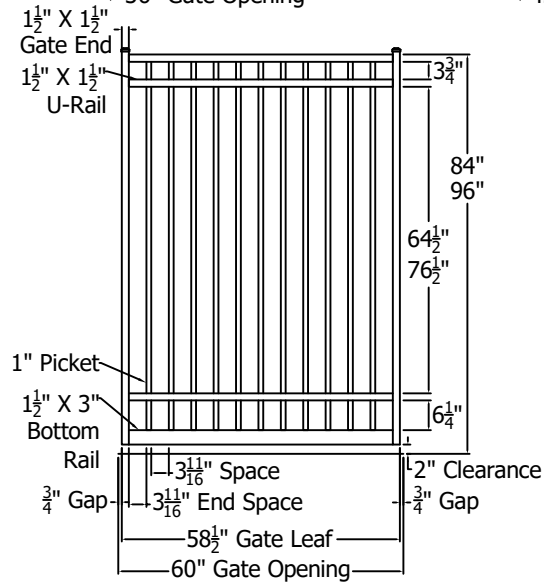
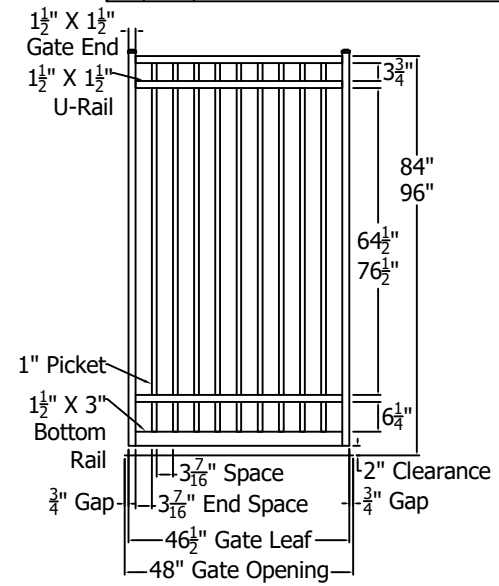
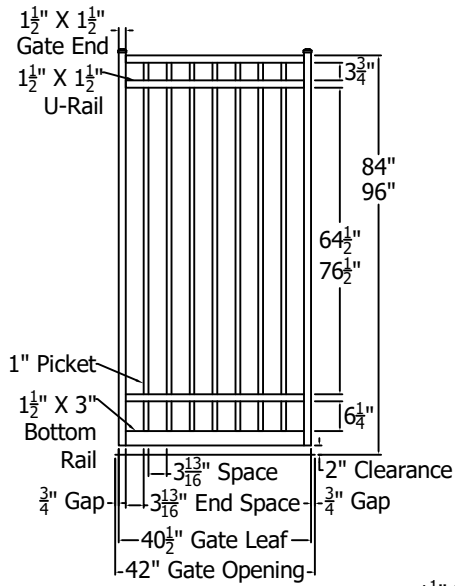
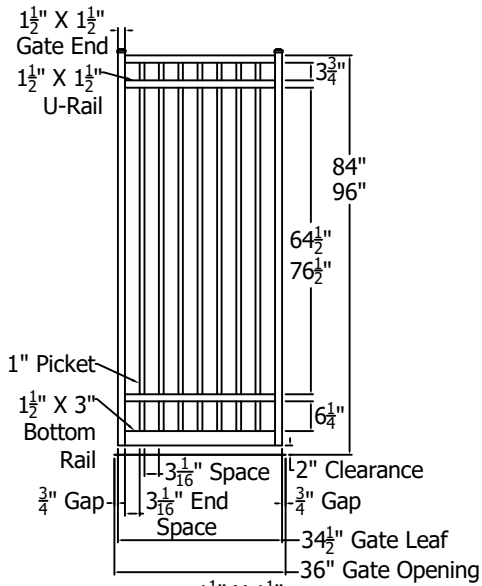
D



C

B

A

REV.	LOC.	REVISION	DATE
B		Updated Logos	12/21/20



	 <p>3446 US 6 EAST Bremen, IN 46506 diggerspecialties.com</p>	DRAWN BY: EH DATE DRAWN: 12-21-2020	STYLE: 5240 Standard Gates
		SCALE = 1"=1"	AS SHOWN: 84" T
		DRAFT NO.: 20201221-1E	LOC: Z:\Aluminum\Regis\5000 Series\Updated Standard Drawings
			REV. B

4

3

2

1

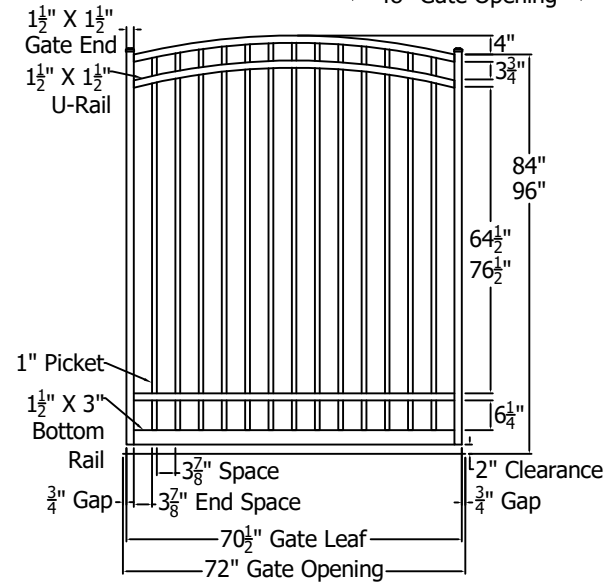
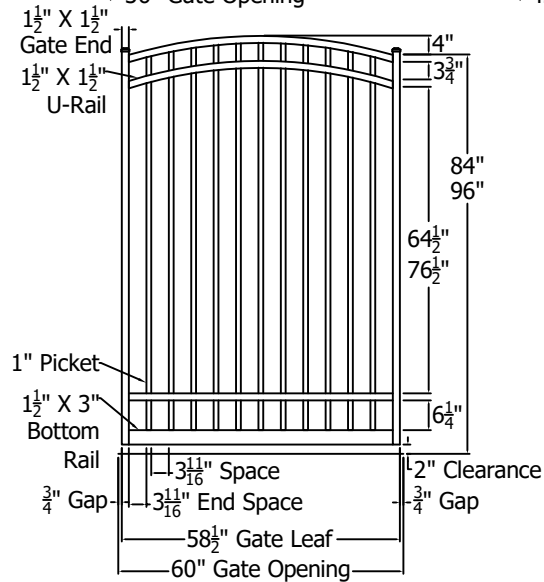
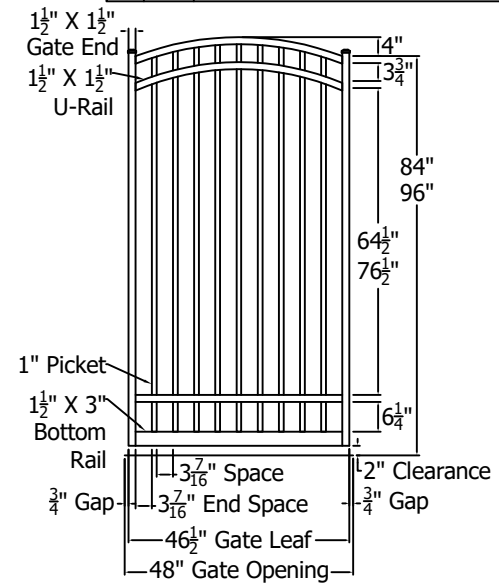
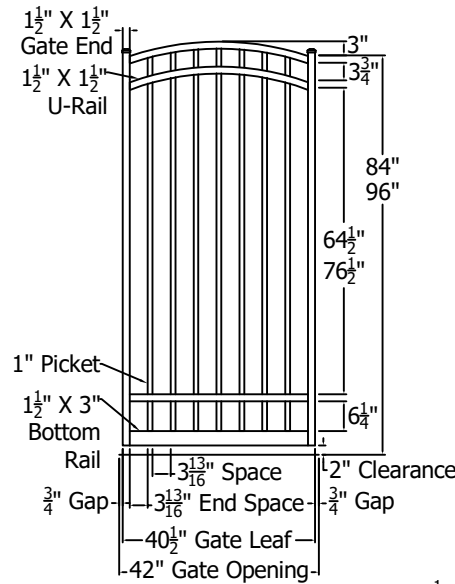
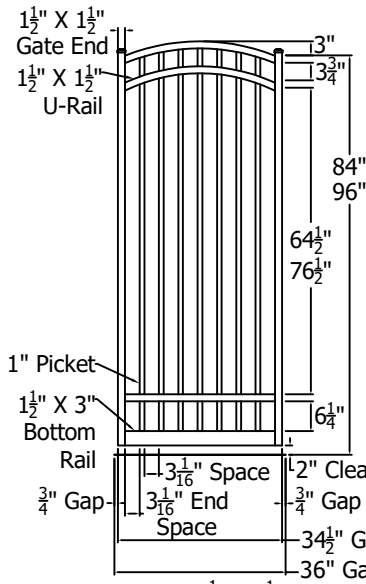
D



C

B

A

REV.	LOC.	REVISION	DATE
B		Updated Logos	12/21/20



	 <p>3446 US 6 EAST Bremen, IN 46506 diggerspecialties.com</p>	DRAWN BY: EH	STYLE:
		DATE DRAWN: 12-21-2020	5240 Standard Gates Arched
		SCALE = 1":1"	AS SHOWN: 84" T
		DRAFT NO.: 20201221-1E	LOC: Z:\Aluminum\Regis\5000 Series\Updated Standard Drawings
			REV. B

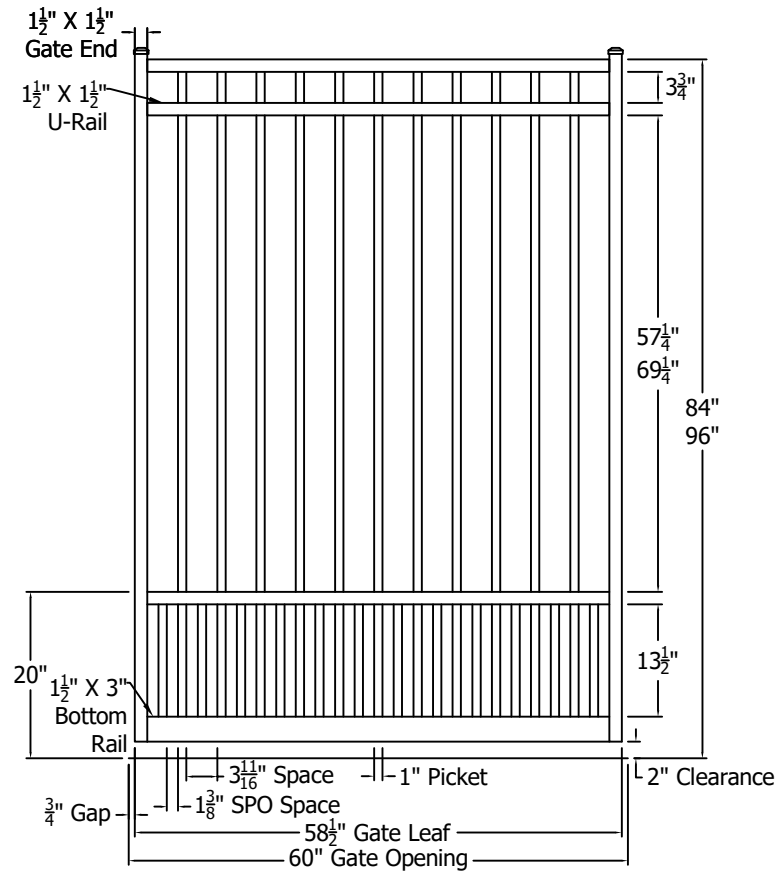
4



3

2

1

REV.	LOC.	REVISION	DATE
B		Updated Logos	12/21/20



	 <p>3446 US 6 EAST Bremen, IN 46506 diggerspecialties.com</p>	DRAWN BY: EH	STYLE:
		DATE DRAWN: 12-21-2020	5240 Standard Gates SPO
		SCALE = 1":1"	AS SHOWN: 84" T
		DRAFT NO.: 20201221-1E	LOC: Z:\Aluminum\Regis\5000 Series\Updated Standard Drawings
			REV. B

4

3

2

1

D

C

B

A