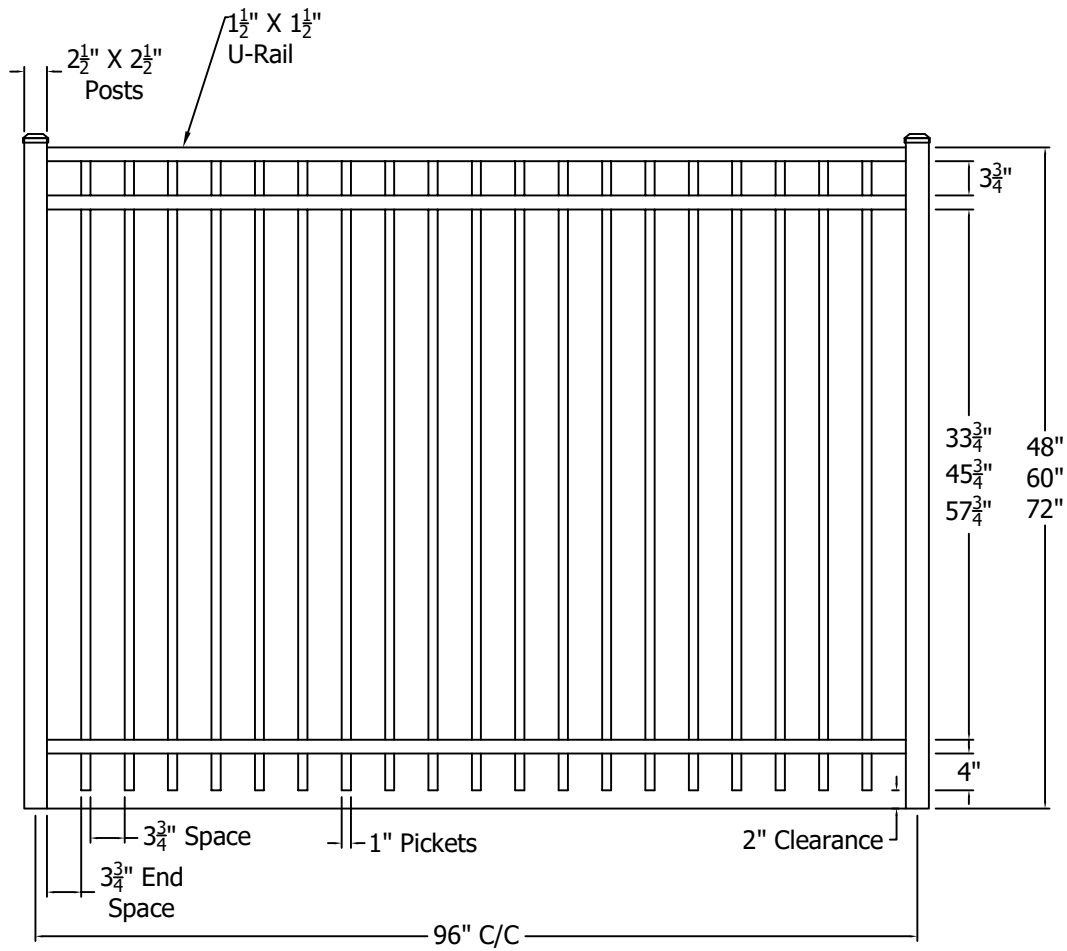




REV.	LOC.	REVISION	DATE
B		Updated Logos	12/21/20



	 <p>3446 US 6 EAST Bremen, IN 46506 diggerspecialties.com</p>	DRAWN BY: EH DATE DRAWN: 12-21-2020	STYLE: <b>5230</b>
		SCALE = 1":1" DRAFT NO.: 20201221-1E	AS SHOWN: 72" T LOC: Z:\Aluminum\Regis\5000 Series\Updated Standard Drawings
		REV. B	

4

3

2

1

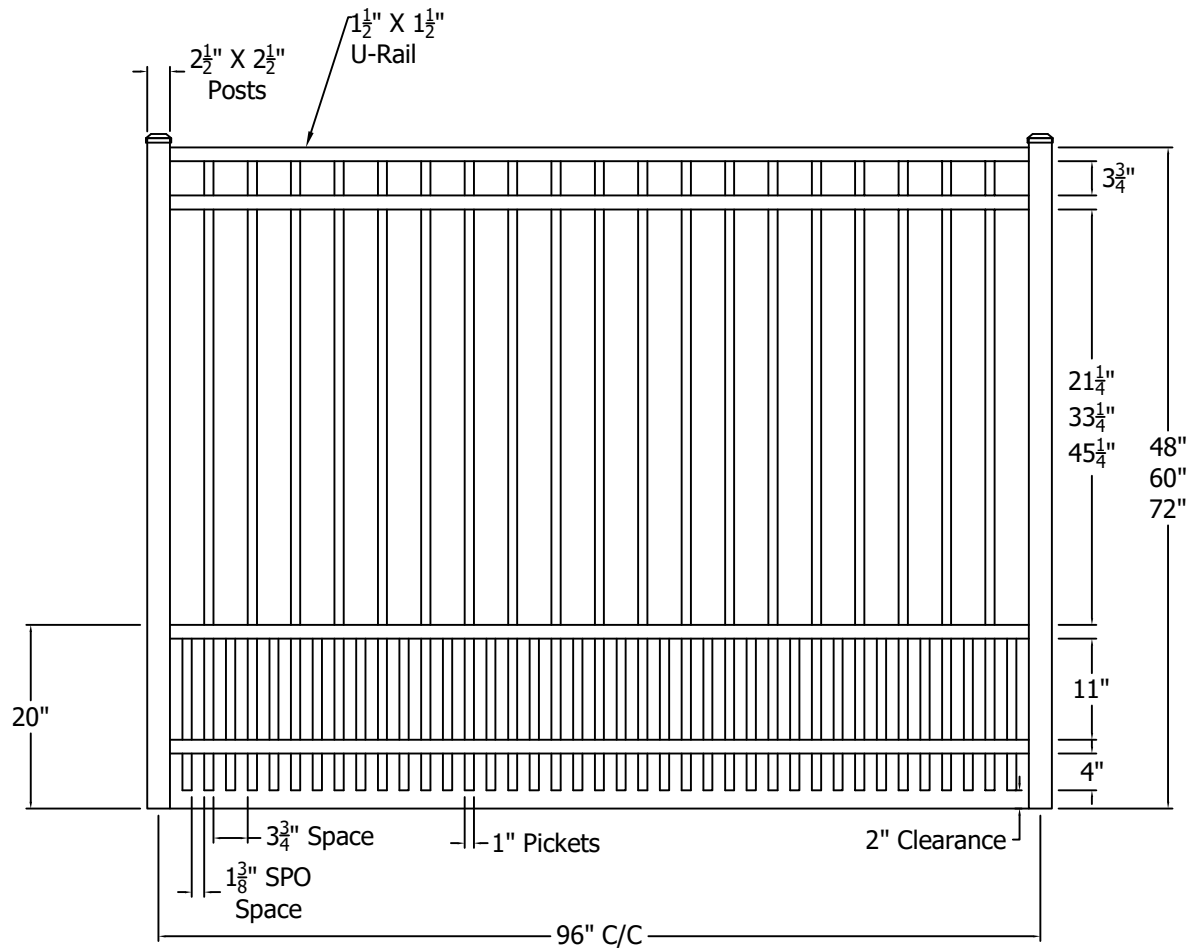
D



C

B

A

REV.	LOC.	REVISION	DATE
B		Updated Logos	12/21/20



	 <p>3446 US 6 EAST Bremen, IN 46506 diggerspecialties.com</p>	DRAWN BY: EH DATE DRAWN: 12-21-2020	STYLE: <b>5230 Short Picket Option</b>
		SCALE = 1":1" DRAFT NO.: 20201221-1E	AS SHOWN: 72" T LOC: Z:\Aluminum\Regis\5000 Series\Updated Standard Drawings
		REV. B	

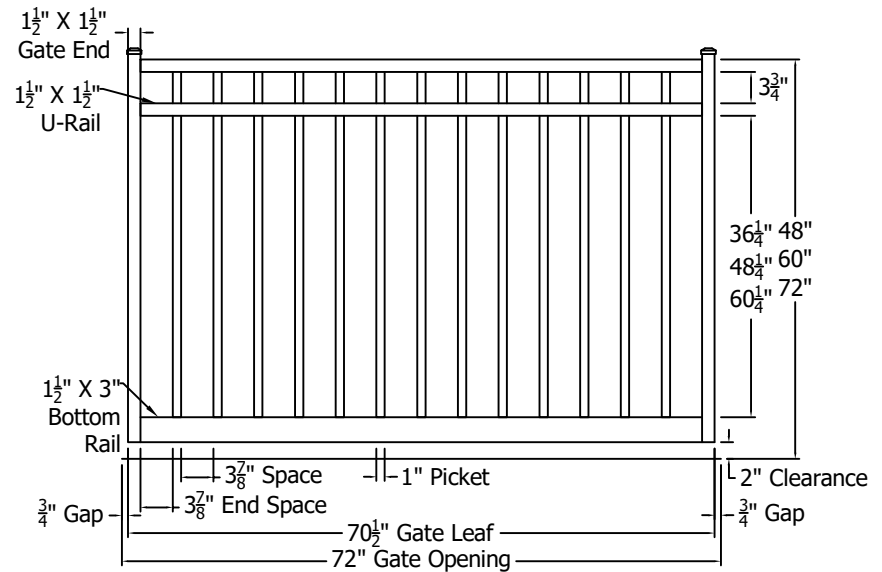
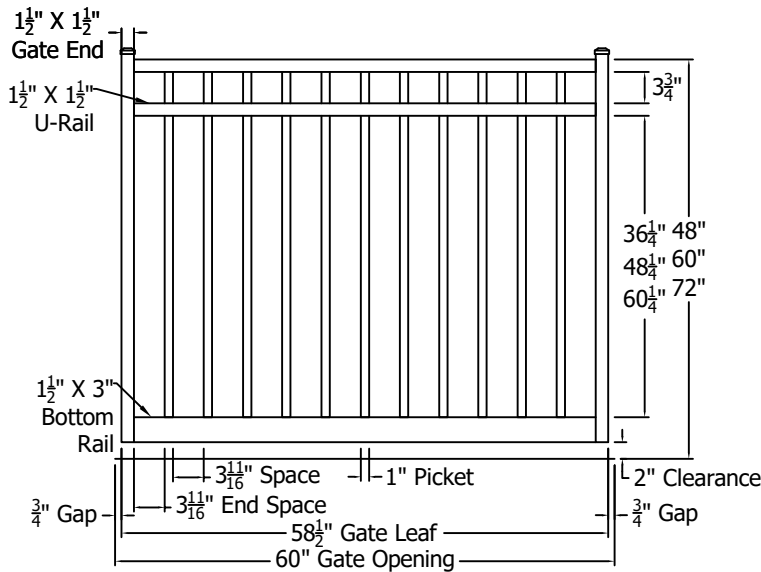
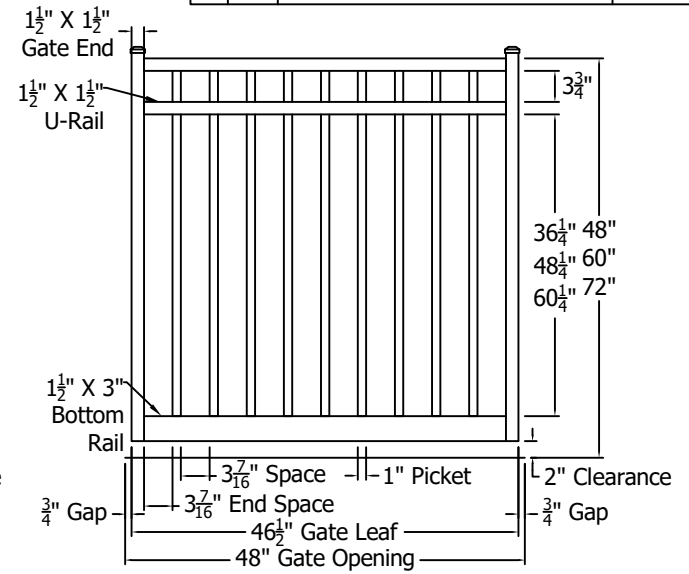
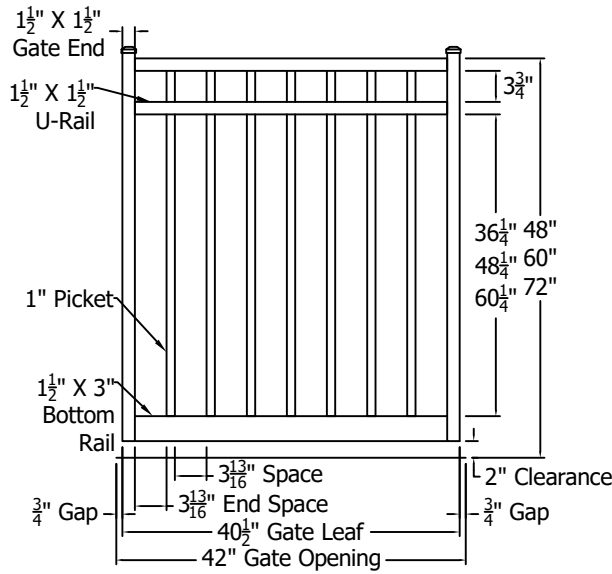
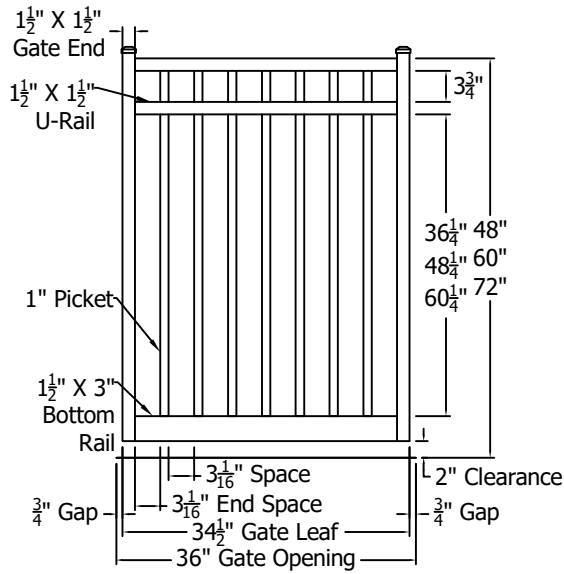
4



3

2

1

REV.	LOC.	REVISION	DATE
B		Updated Logos	12/21/20



	 <p>3446 US 6 EAST Bremen, IN 46506 diggerspecialties.com</p>	DRAWN BY: EH DATE DRAWN: 12-21-2020	STYLE: <b>5230 Standard Gates</b>
		SCALE = 1":1"	AS SHOWN: 48" T
		DRAFT NO.: 20201221-1E	LOC: Z:\Aluminum\Regis\5000 Series\Updated Standard Drawings
			REV. B

4

3

2

1

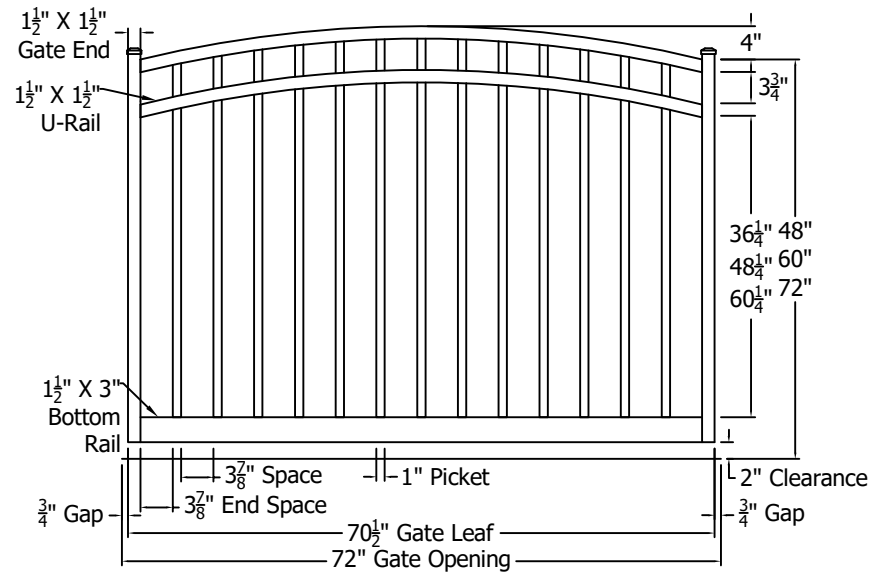
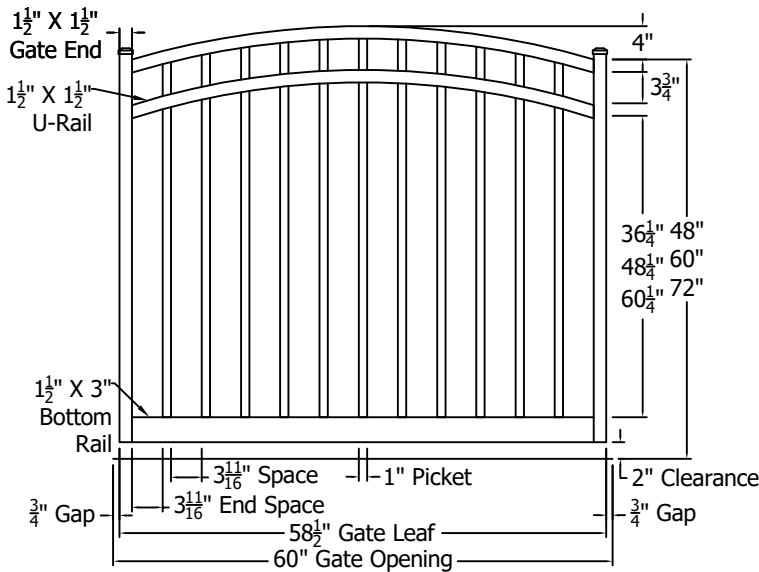
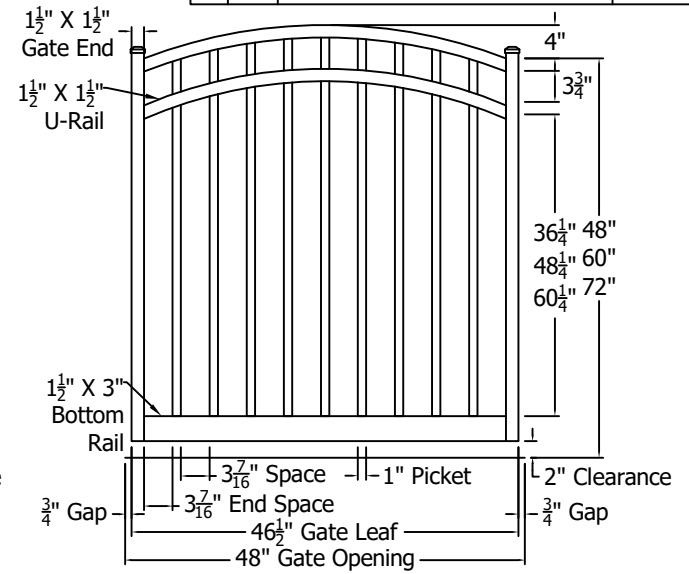
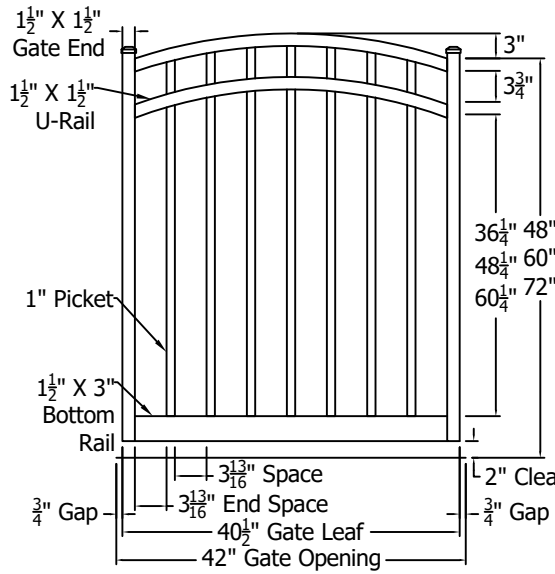
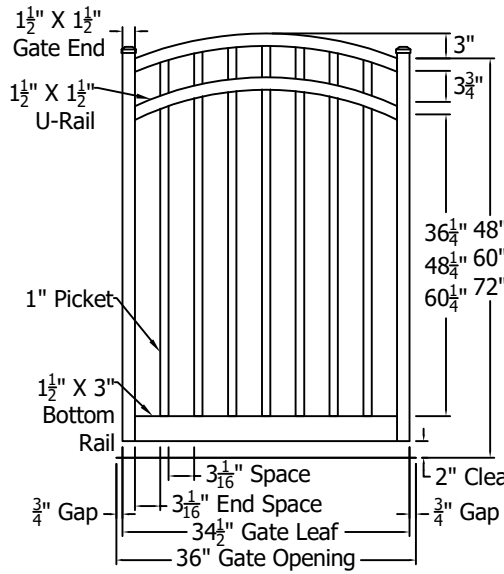
D



C

B

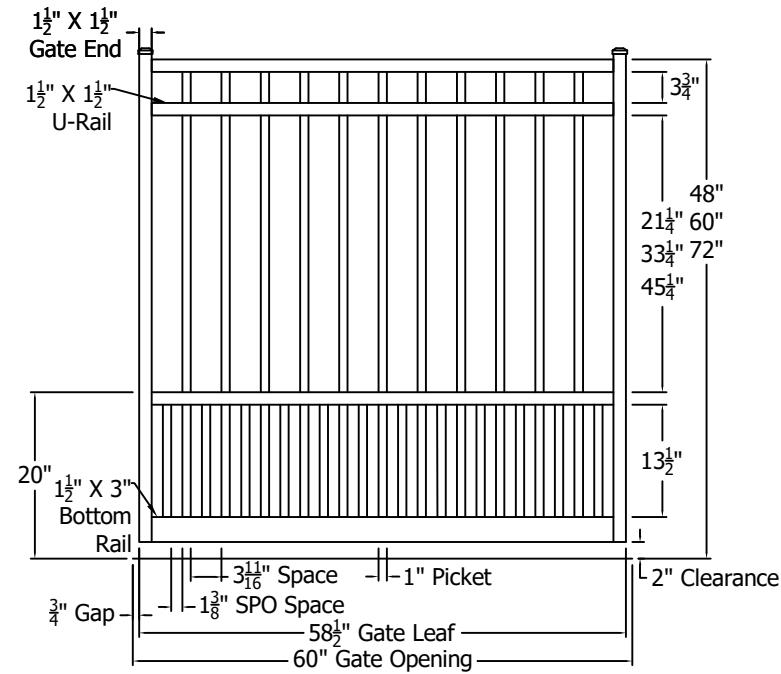
A



REV.	LOC.	REVISION	DATE
B		Updated Logos	12/21/20



	 <p>3446 US 6 EAST Bremen, IN 46506 diggerspecialties.com</p>	DRAWN BY: EH DATE DRAWN: 12-21-2020	STYLE: <b>5230 Standard Gates Arched</b>
		SCALE = 1":1"	AS SHOWN: 48" T
		DRAFT NO.: 20201221-1E	LOC: Z:\Aluminum\Regis\5000 Series\Updated Standard Drawings
			REV. B

REV.	LOC.	REVISION	DATE
B		Updated Logos	12/21/20



	 <p>3446 US 6 EAST Bremen, IN 46506 diggerspecialties.com</p>	DRAWN BY: EH	STYLE:
		DATE DRAWN: 12-21-2020	<b>5230 Standard Gates SPO</b>
		SCALE = 1":1"	AS SHOWN: 60" T
		DRAFT NO.: 20201221-1E	LOC: Z:\Aluminum\Regis\5000 Series\Updated Standard Drawings
			REV. B

4

3

2

1

D

C

B

A