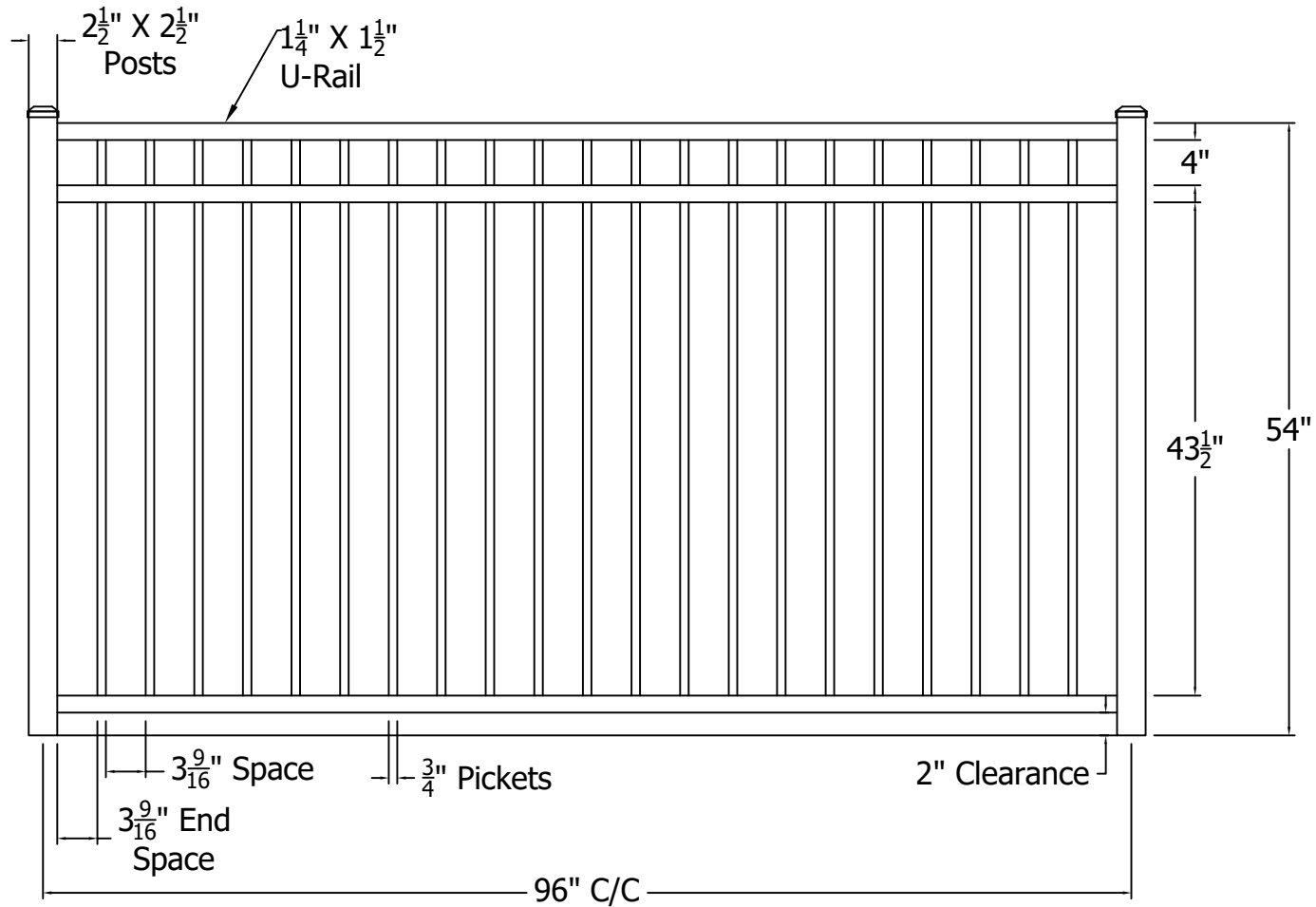


REV.	LOC.	REVISION	DATE
B		Updated Logos	12/18/20



	Complies With ASTM F2409 And F1908 For Height And Spacing		 3446 US 6 EAST Bremen, IN 46506 diggerspecialties.com	DRAWN BY: EH	STYLE:
				DATE DRAWN: 12-08-2020	<b>4230 Pool</b>
				SCALE = 1":1"	AS SHOWN: 54" T
				DRAFT NO.: 20201208-1E	LOC: Z:\Aluminum\Regis\4000 Series\Updated Standard Drawings
					REV.

4

3

2

1

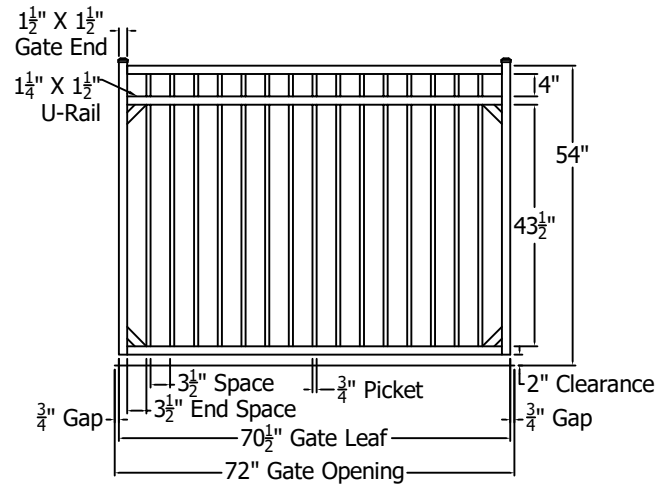
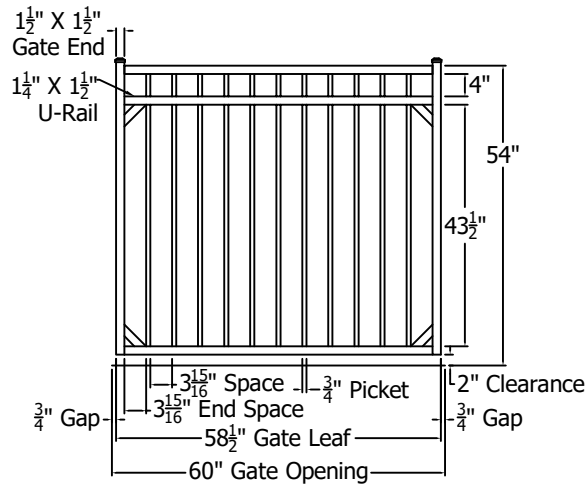
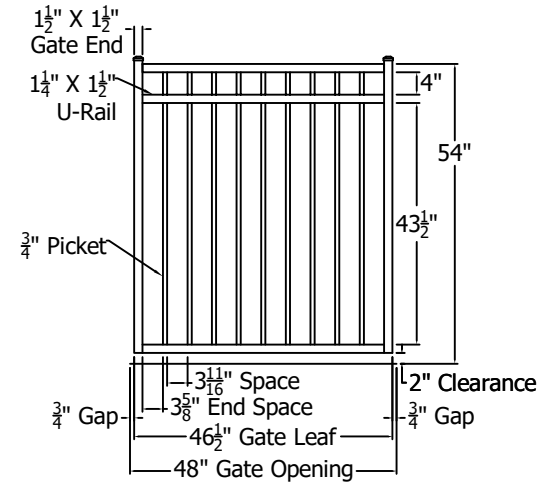
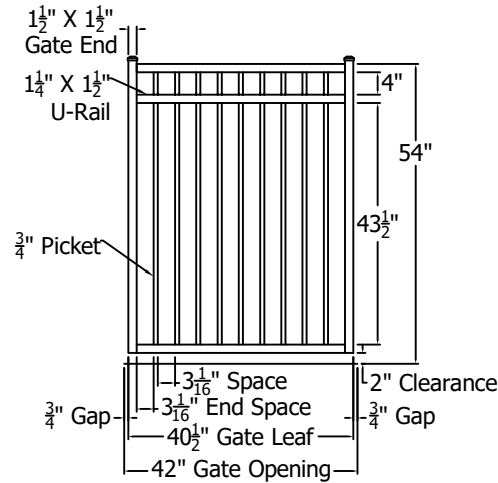
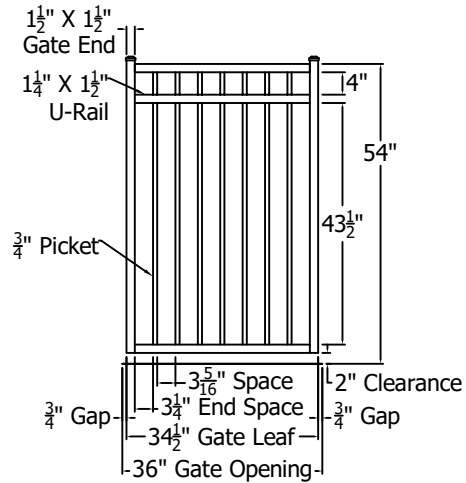
D

C

B

A

REV.	LOC.	REVISION	DATE
B		Updated Logos	12/17/20



Complies With ASTM  
F2409 And F1908  
For Height And Spacing



DRAWN BY: EH  
DATE DRAWN:  
12-08-2020  
SCALE = 1":1"  
DRAFT NO.:  
20201208-1E

STYLE:  
**4230 Standard Gates  
Pool**  
AS SHOWN: 54" T  
LOC: Z:\Aluminum\Regis\4000  
Series\Updated Standard Drawings  
REV.  
B

4

3

2

1

D

C

B

A