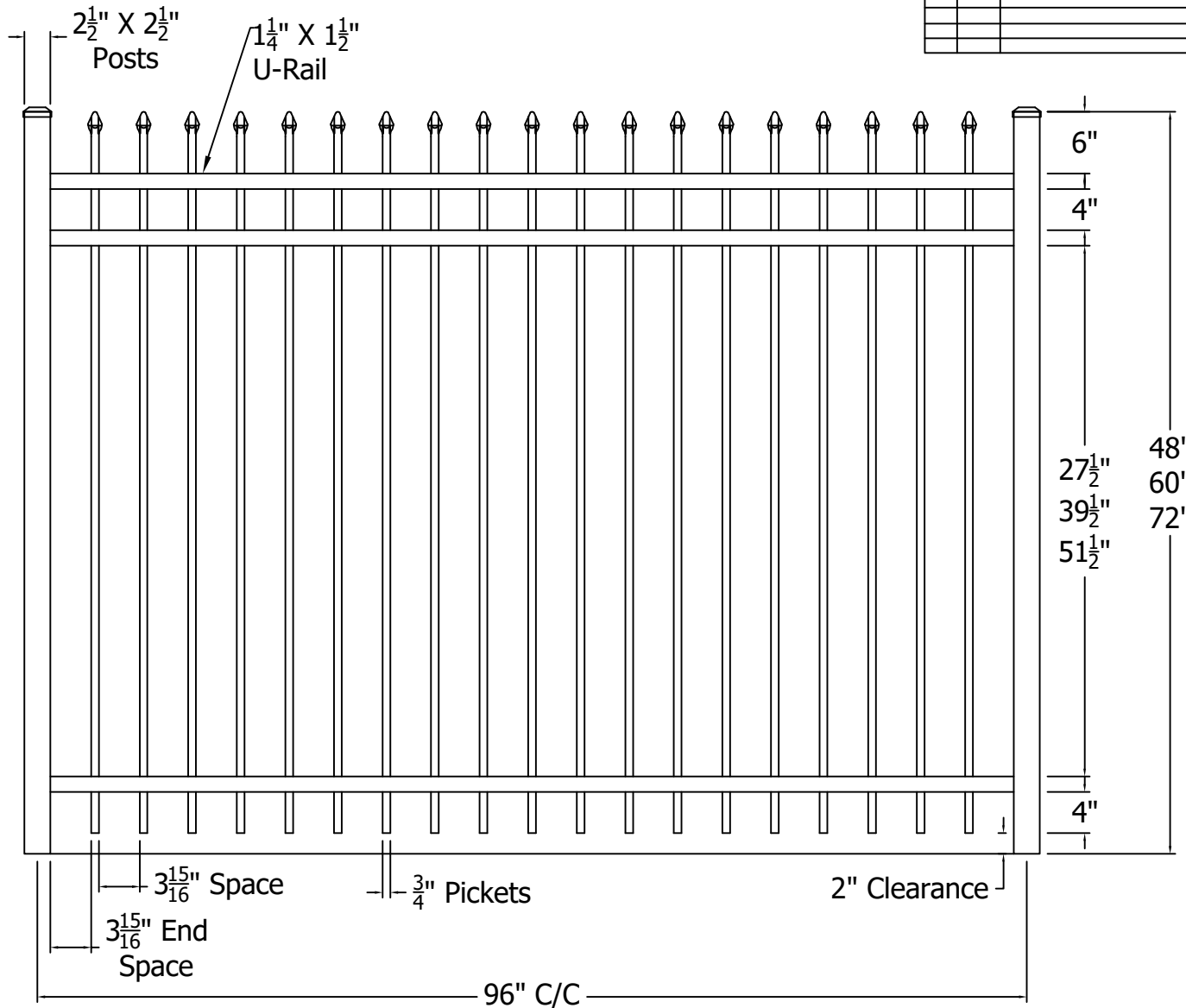







REV.	LOC.	REVISION	DATE



Finial Options	
 Quad	 Triad
 Fleur-de-lis	

 Regis® ALUMINUM FENCING	 Digger Specialties Inc. <i>Transforming the Outdoor Living Experience™</i> 3446 US 6 EAST Bremen, IN 46506 diggerspecialties.com	DRAWN BY: EH	STYLE:
		DATE DRAWN: 06-24-2020	4131
		SCALE = 1":1"	AS SHOWN: 72" T
		DRAFT NO.: 20200624-1E	LOC: Z:\Aluminum\Regis\4000 Series\Updated Standard Drawings
			REV.

4

3

2

1

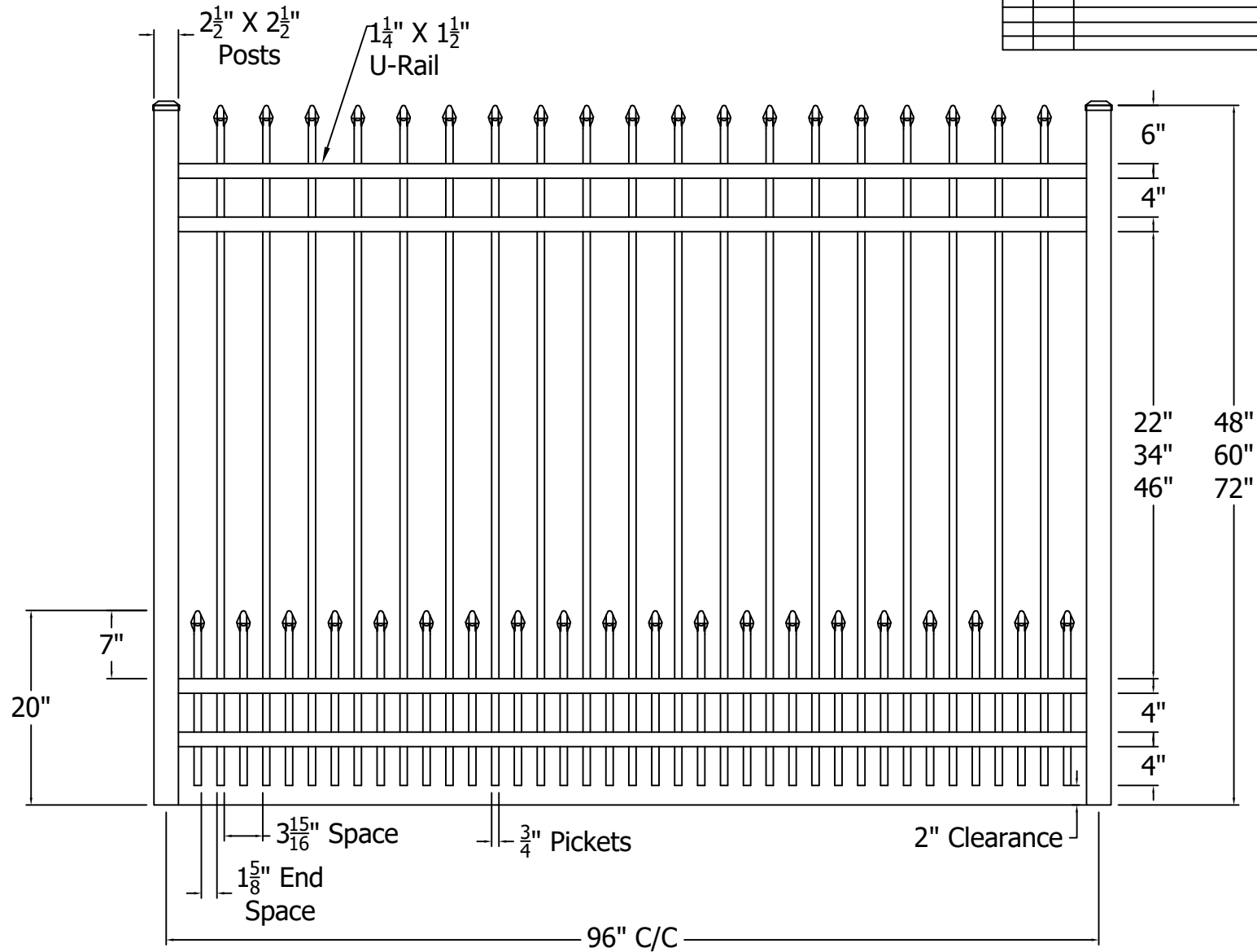
D




C



B

A

REV.	LOC.	REVISION	DATE



Finial Options	
	
Quad	Triad
	
Fleur-de-lis	

 Regis® ALUMINUM FENCING	 Digger Specialties Inc. <i>Transforming the Outdoor Living Experience™</i> 3446 US 6 EAST Bremen, IN 46506 diggerspecialties.com	DRAWN BY: EH	STYLE:
		DATE DRAWN: 06-24-2020	4131 Short Picket Option
		SCALE = 1":1"	AS SHOWN: 72" T
		DRAFT NO.: 20200624-1E	LOC: Z:\Aluminum\Regis\4000 Series\Updated Standard Drawings
			REV.

4

3

2

1

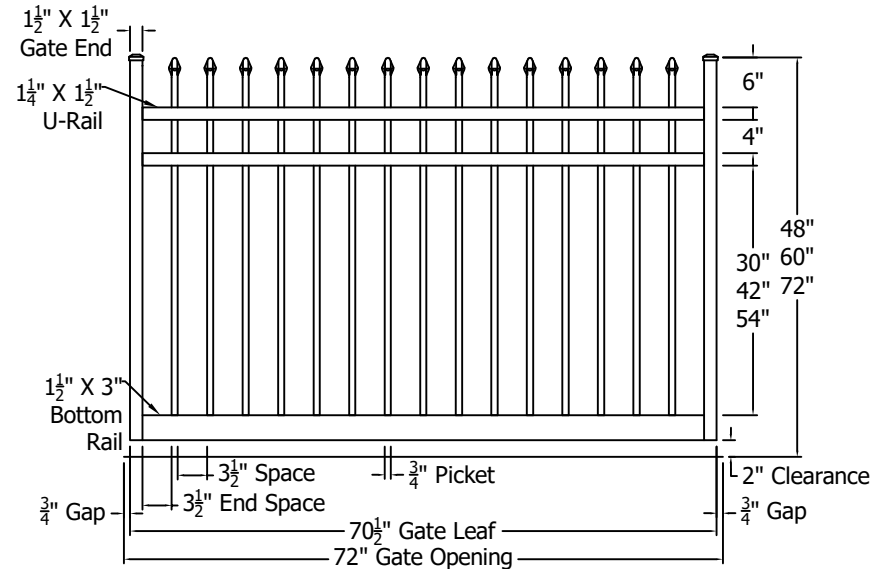
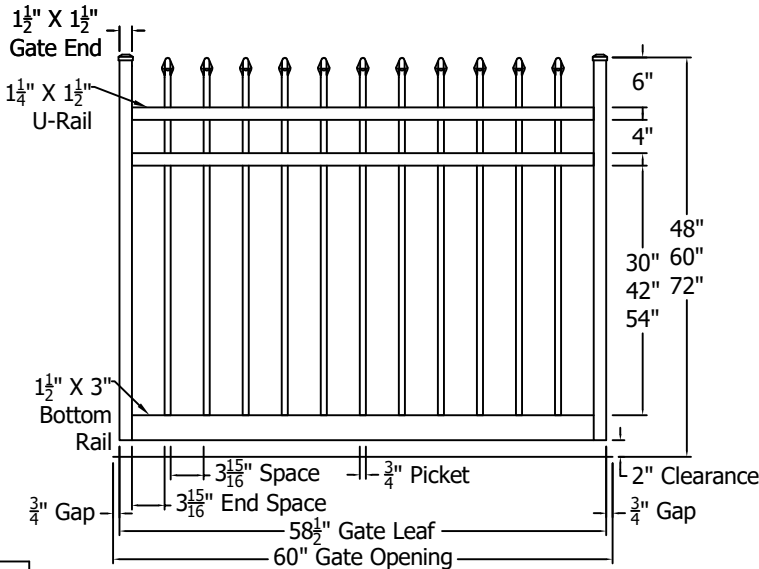
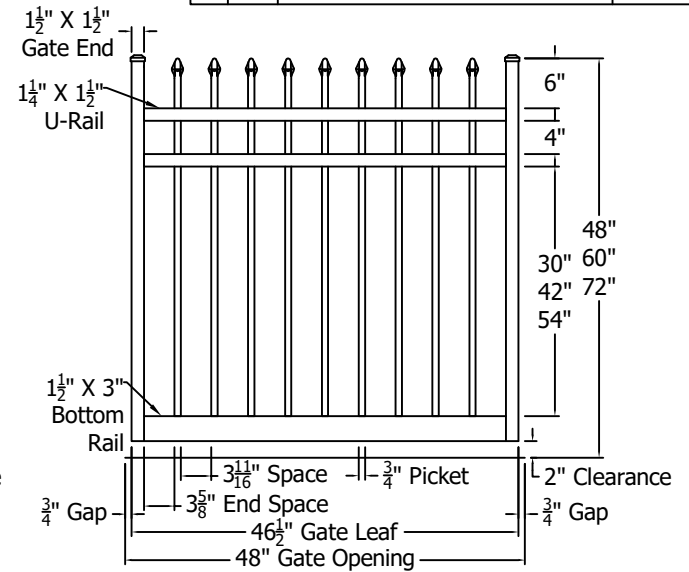
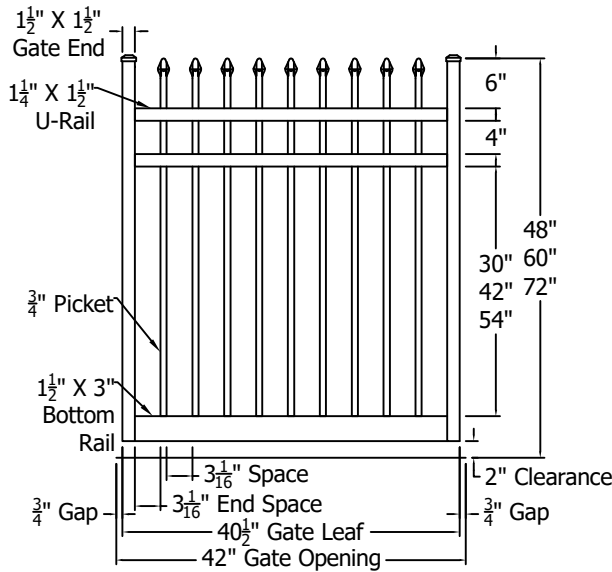
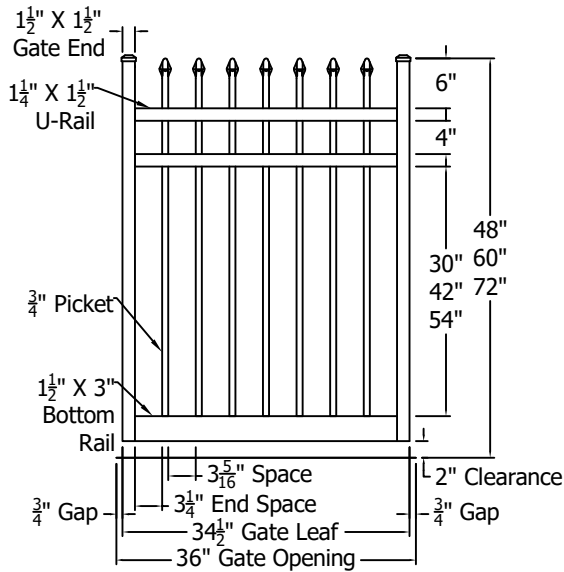
D

C

B

A

REV.	LOC.	REVISION	DATE



Finial Options	
Quad	Triad
Fleur-de-lis	

	<p>3446 US 6 EAST Bremen, IN 46506 diggerspecialties.com</p>	DRAWN BY: EH	STYLE:
		DATE DRAWN: 06-24-2020	4131 Standard Gates
		SCALE = 1":1"	AS SHOWN: 48" T
		DRAFT NO.: 20200624-1E	LOC: Z:\Aluminum\Regis\4000 Series\Updated Standard Drawings

4

3

2

1

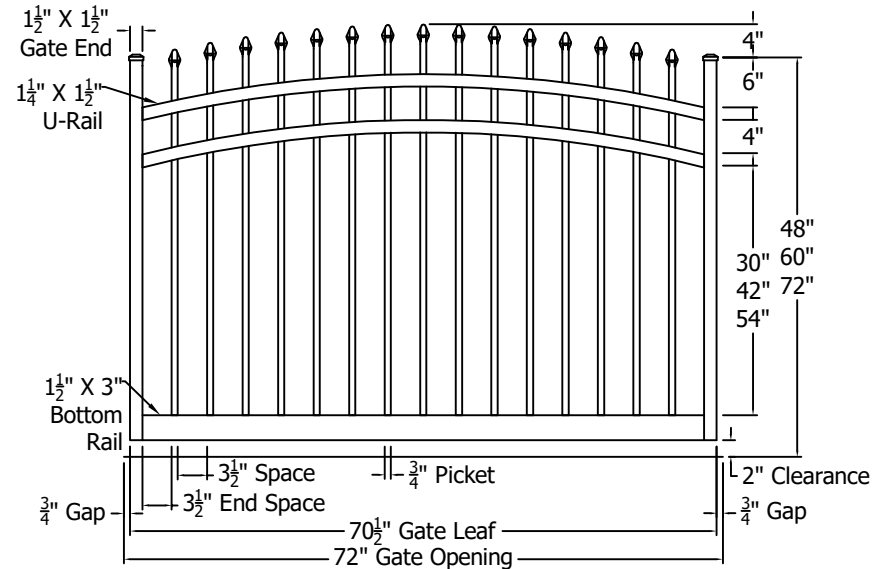
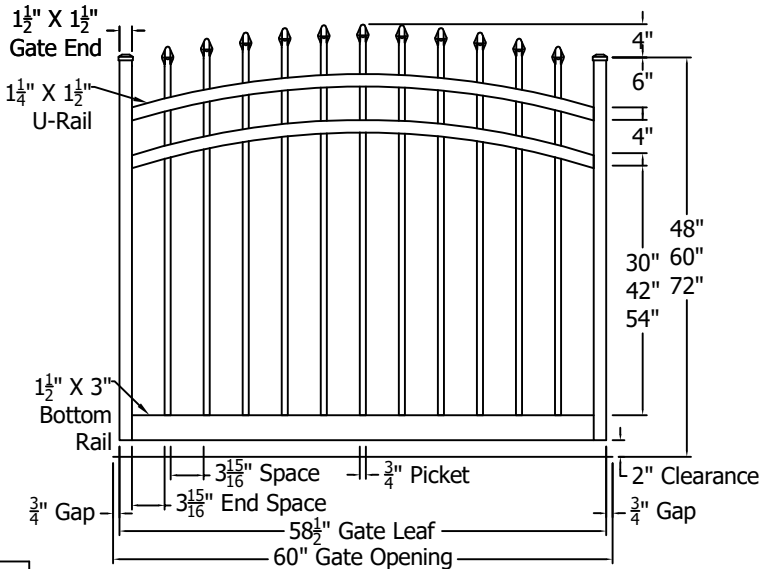
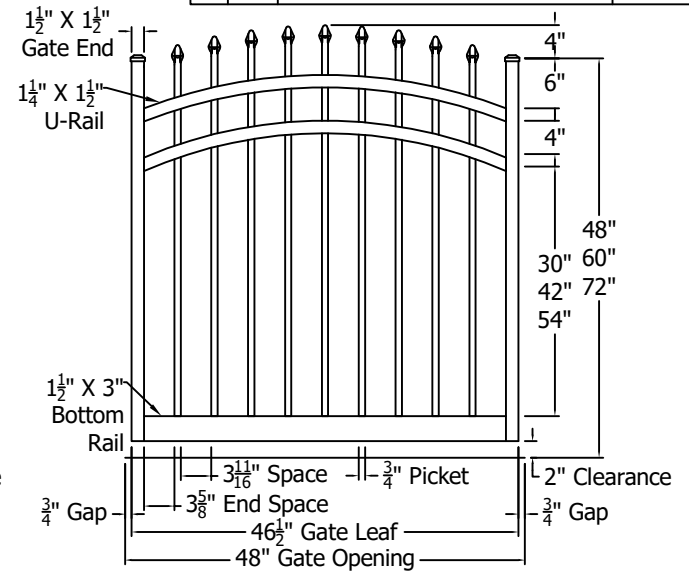
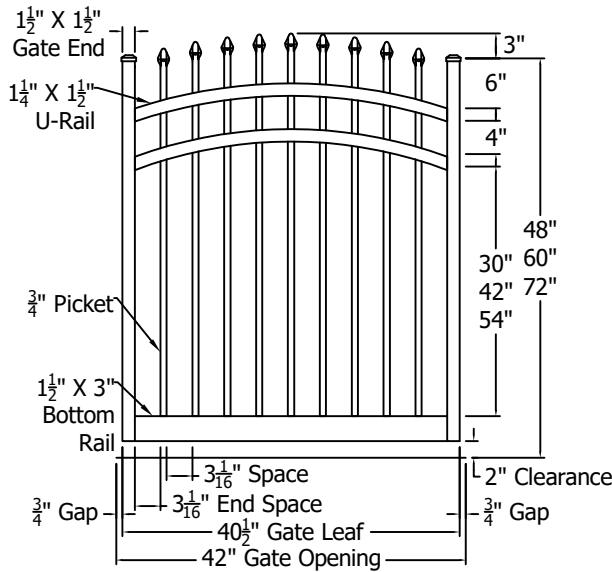
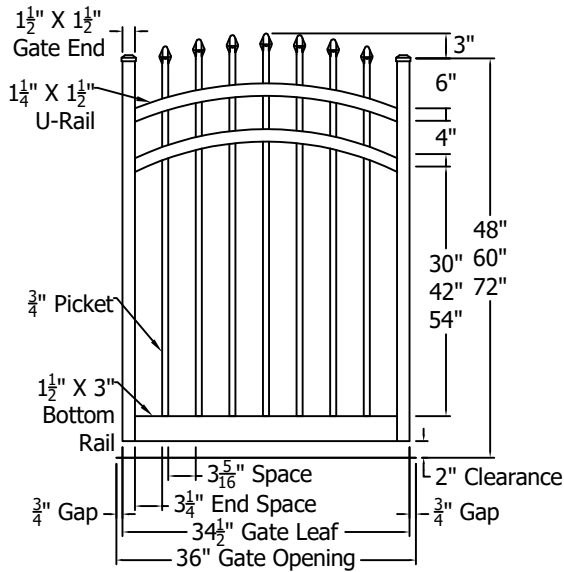
D

C

B

A

REV.	LOC.	REVISION	DATE



Finial Options	
Quad	Triad
Fleur-de-lis	

	<p><i>Transforming the Outdoor Living Experience™</i></p> <p>3446 US 6 EAST Bremen, IN 46506 diggerspecialties.com</p>	DRAWN BY: EH	STYLE:
		DATE DRAWN: 06-24-2020	4131 Standard Gates Arched
		SCALE = 1":1"	AS SHOWN: 48" T
		DRAFT NO.: 20200624-1E	LOC: Z:\Aluminum\Regis\4000 Series\Updated Standard Drawings

4

3

2

1

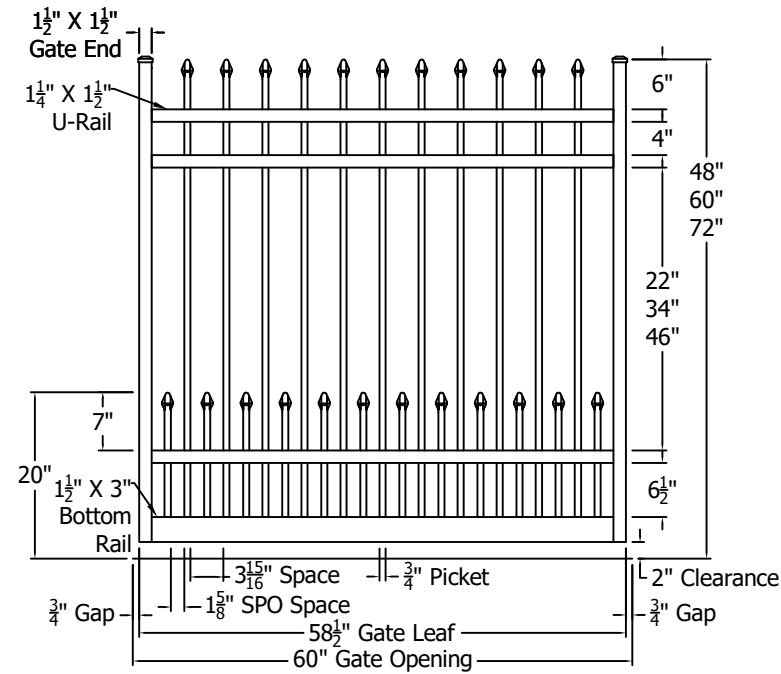
D




C



B

A

REV.	LOC.	REVISION	DATE
B		Updated Logos	12/17/20



Finial Options	
 Quad	 Triad
 Fleur-de-lis	

	 3446 US 6 EAST Bremen, IN 46506 diggerspecialties.com	DRAWN BY: EH	STYLE:
		DATE DRAWN: 06-24-2020	4131 Standard Gates SPO
		SCALE = 1":1"	AS SHOWN: 60" T
		DRAFT NO.: 20200624-1E	LOC: Z:\Aluminum\Regis\4000 Series\Updated Standard Drawings
			REV. B

4

3

2

1

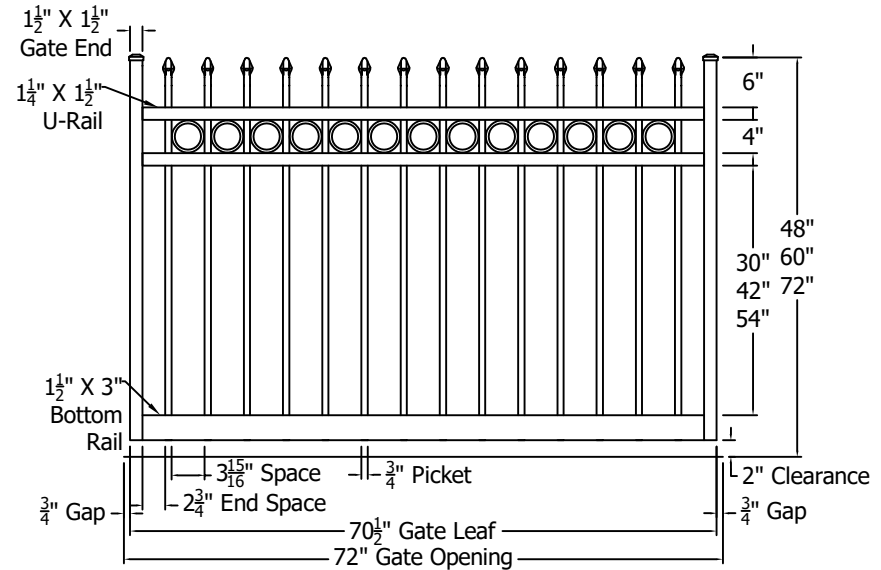
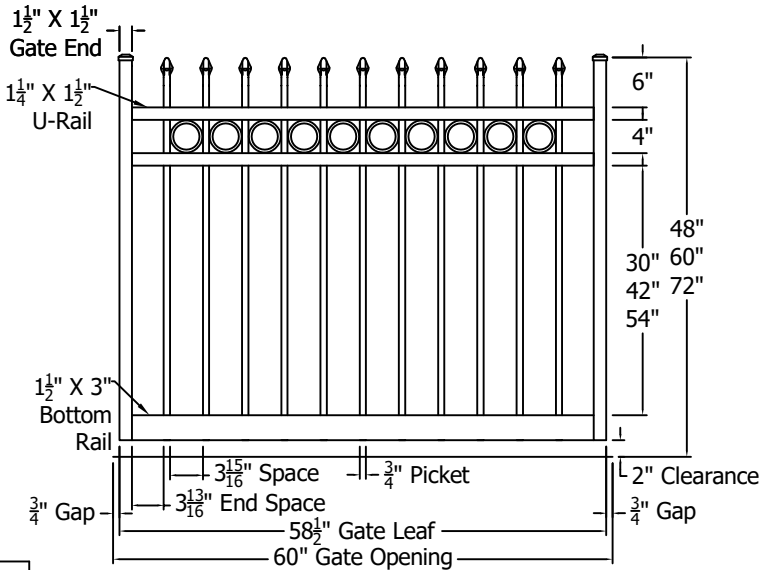
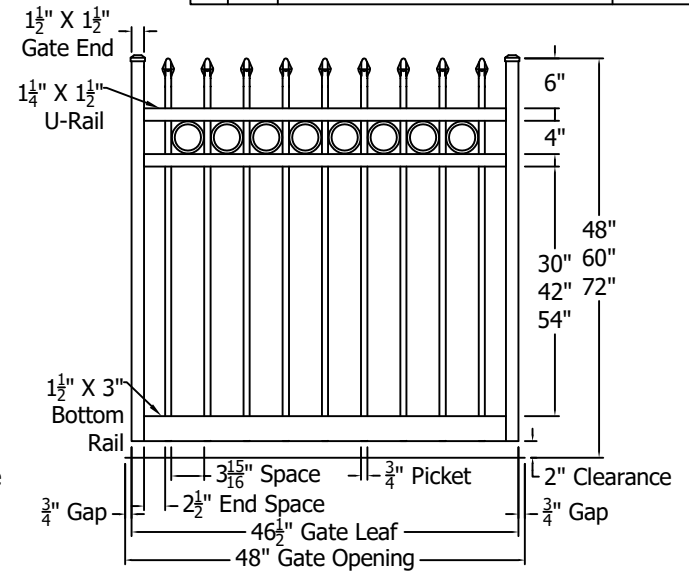
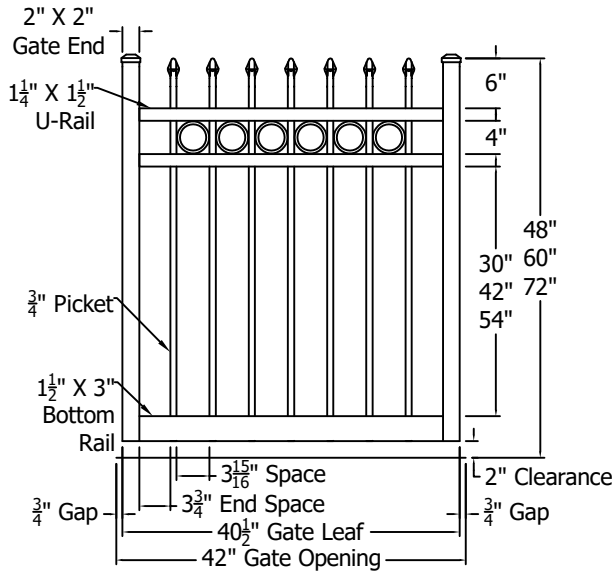
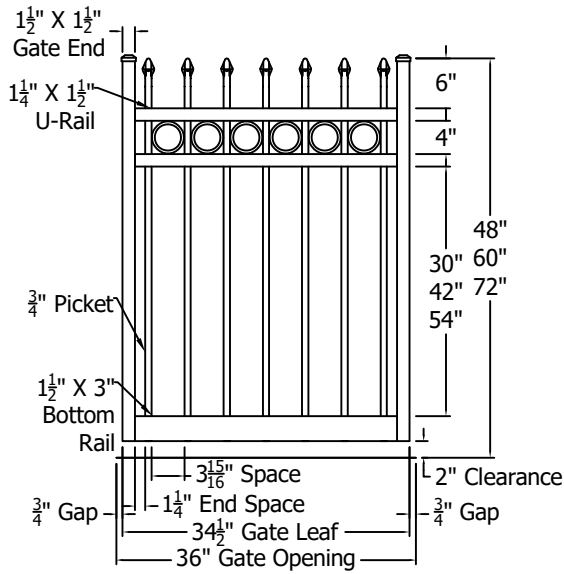
A

B

C

D

REV.	LOC.	REVISION	DATE



Finial Options	
Quad	Triad
Fleur-de-lis	

	<p><i>Transforming the Outdoor Living Experience™</i></p> <p>3446 US 6 EAST Bremen, IN 46506 diggerspecialties.com</p>	DRAWN BY: EH DATE DRAWN: 06-24-2020	STYLE: 4131R Standard Gates
		SCALE = 1":1" DRAFT NO.: 20200624-1E	AS SHOWN: 48" T LOC: Z:\Aluminum\Regis\4000 Series\Updated Standard Drawings

4

3

2

1

D

C

B

A