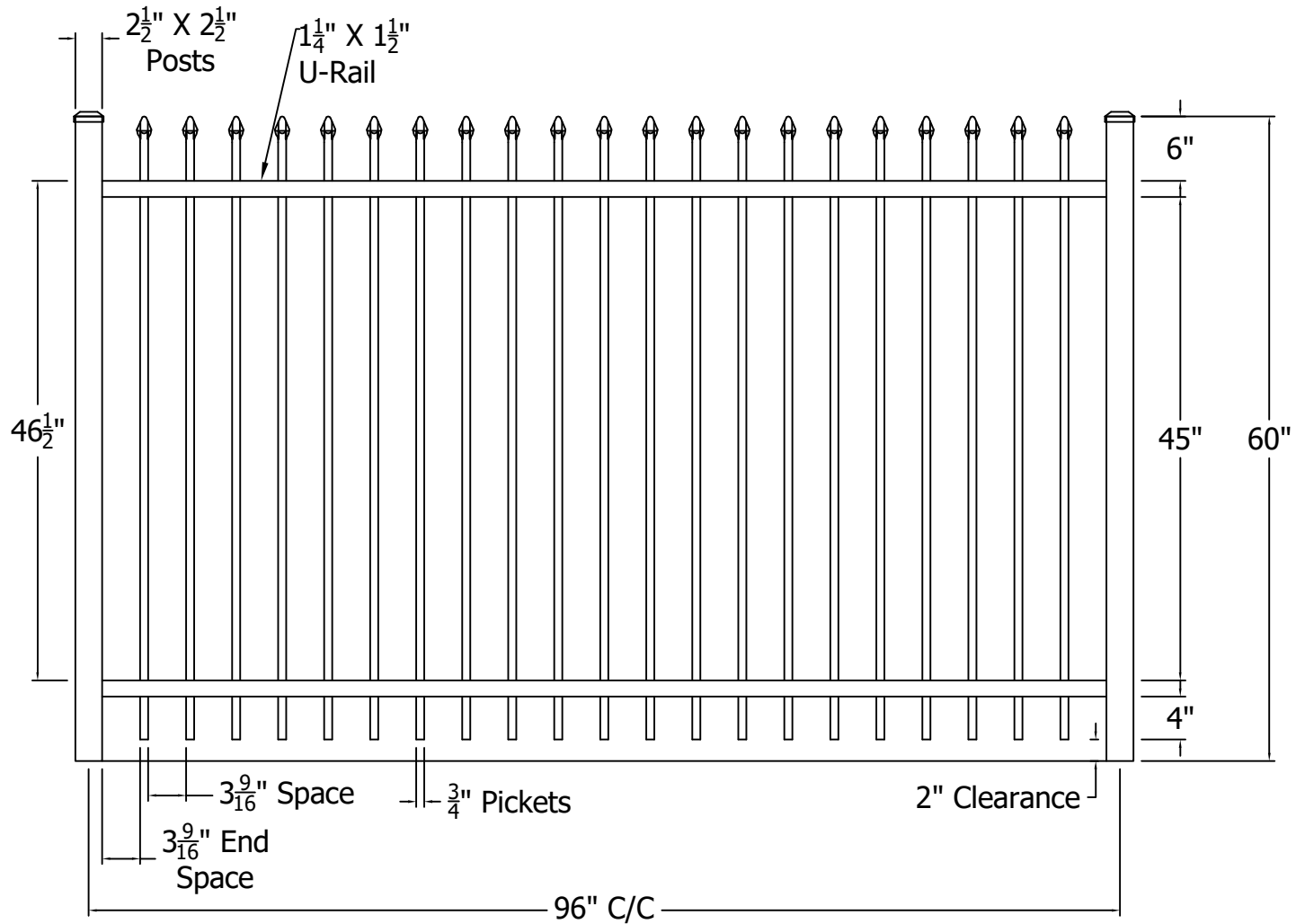





| REV. | LOC. | REVISION | DATE |
|------|------|----------|------|
| | | | |
| | | | |
| | | | |
| | | | |



| Finial Options | |
|---|--|
|  Quad |  Triad |
|  Fleur-de-lis | |



Complies With ASTM
F2409 And F1908
For Height And Spacing



DSI Digger Specialties Inc.
Transforming the Outdoor Living Experience™

3446 US 6 EAST
Bremen, IN 46506
diggerspecialties.com

DRAWN BY: EH
DATE DRAWN:
06-24-2020
SCALE = 1":1"
DRAFT NO.:
20200624-1E

STYLE:
4121
AS SHOWN:
LOC: Z:\Aluminum\Regis\4000 Series\Updated Standard Drawings
REV.

4

3

2

1

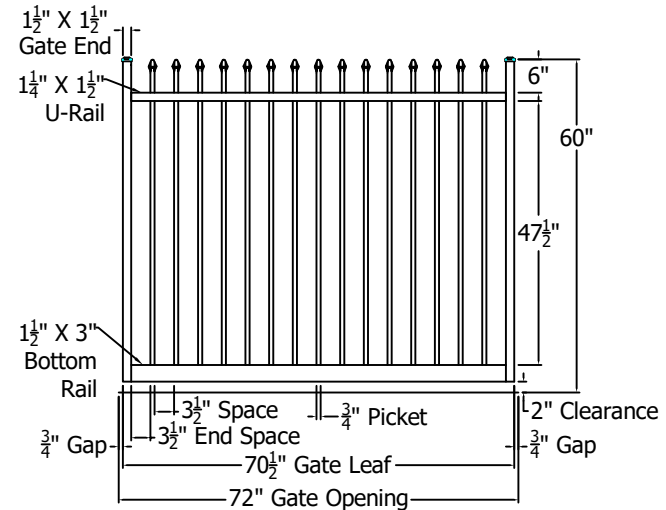
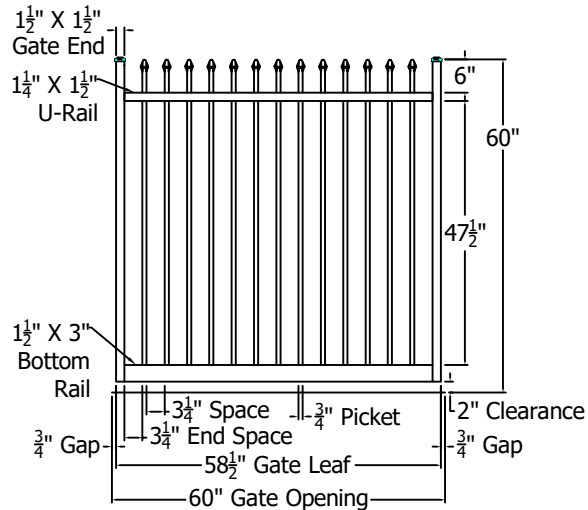
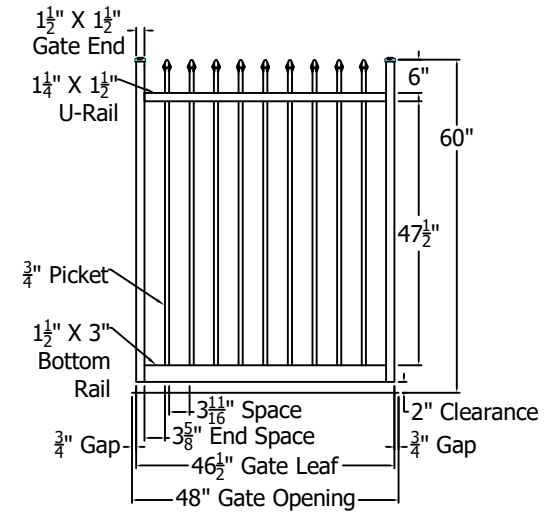
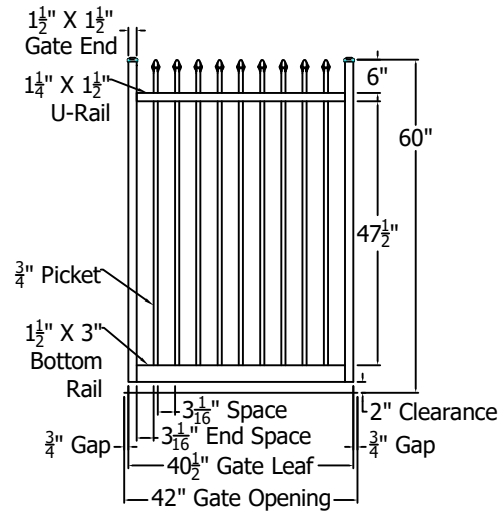
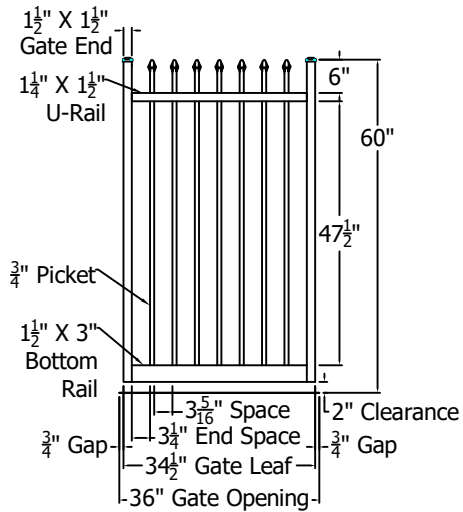
D

C

B

A

| REV. | LOC. | REVISION | DATE |
|------|------|----------|------|
| | | | |
| | | | |
| | | | |
| | | | |



| Finial Options | |
|----------------|-------|
| | |
| | |
| Quad | Triad |
| Fleur-de-lis | |



Complies With ASTM
F2409 And F1908
For Height And Spacing



DSI Digger Specialties Inc.
Transforming the Outdoor Living Experience™
3446 US 6 EAST
Bremen, IN 46506
diggerspecialties.com

DRAWN BY: EH
DATE DRAWN:
06-24-2020
SCALE = 1"=1"
DRAFT NO.:
20200624-1E

STYLE:
4121 Standard Gates
AS SHOWN: 60" T
LOC: Z:\Aluminum\Regis\4000
Series\Updated Standard Drawings
REV.

4

3

2

1

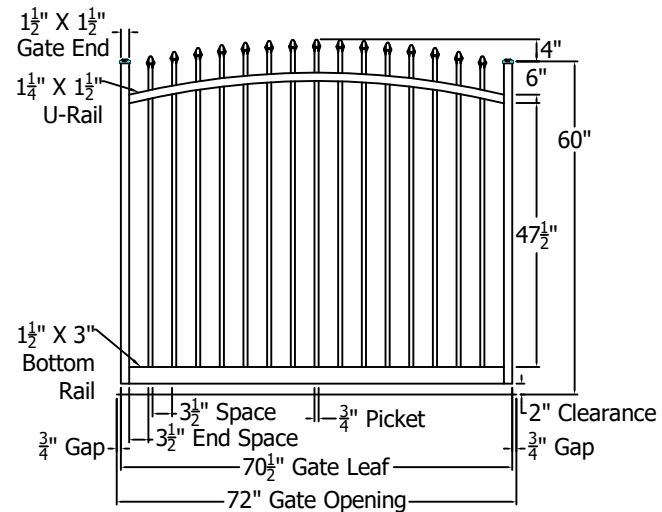
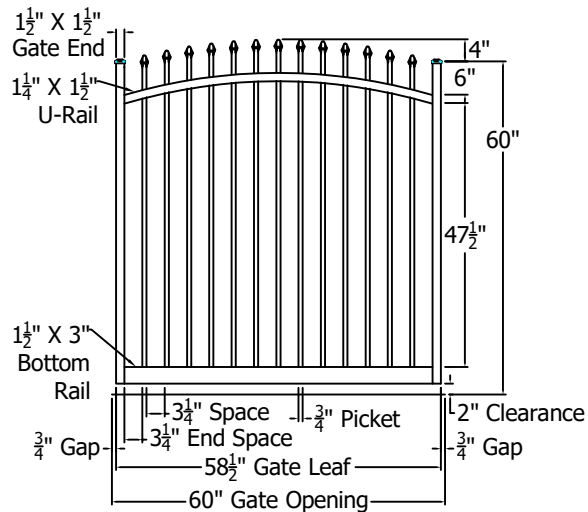
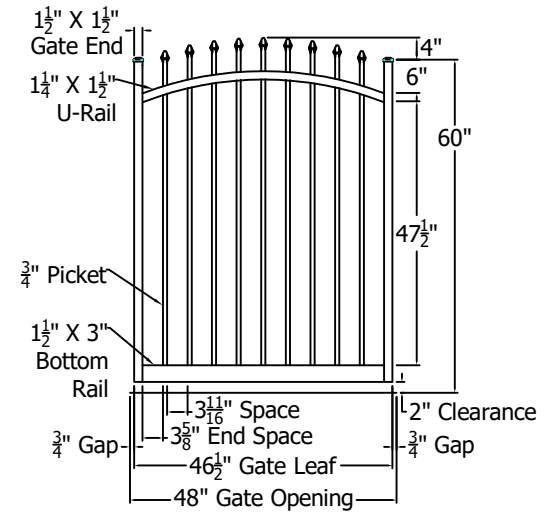
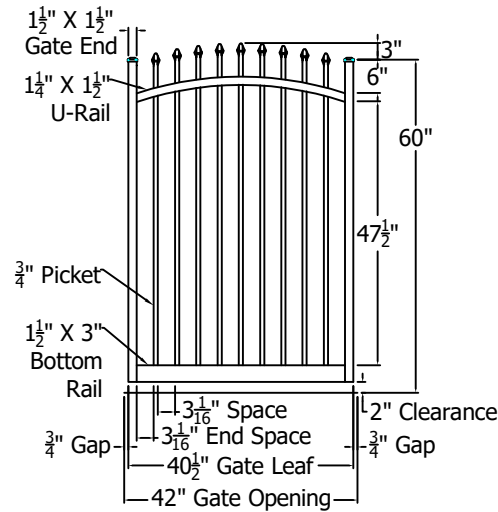
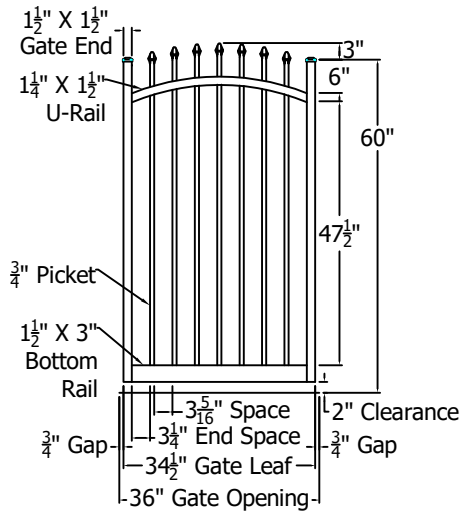
D

C

B

A

| REV. | LOC. | REVISION | DATE |
|------|------|----------|------|
| | | | |
| | | | |
| | | | |
| | | | |



| Finial Options | |
|----------------|-------|
| | |
| | |
| Quad | Triad |
| Fleur-de-lis | |



Complies With ASTM
F2409 And F1908
For Height And Spacing



DSI Digger Specialties Inc.
Transforming the Outdoor Living Experience™
3446 US 6 EAST
Bremen, IN 46506
diggerspecialties.com

DRAWN BY: EH
DATE DRAWN:
06-24-2020
SCALE = 1"=1"
DRAFT NO.:
20200624-1E

STYLE:
**4121 Standard Gates
Arched**
AS SHOWN: 60" T
LOC: Z:\Aluminum\Regis\4000
Series\Updated Standard Drawings
REV.

4

3

2

1

D

C

B

A