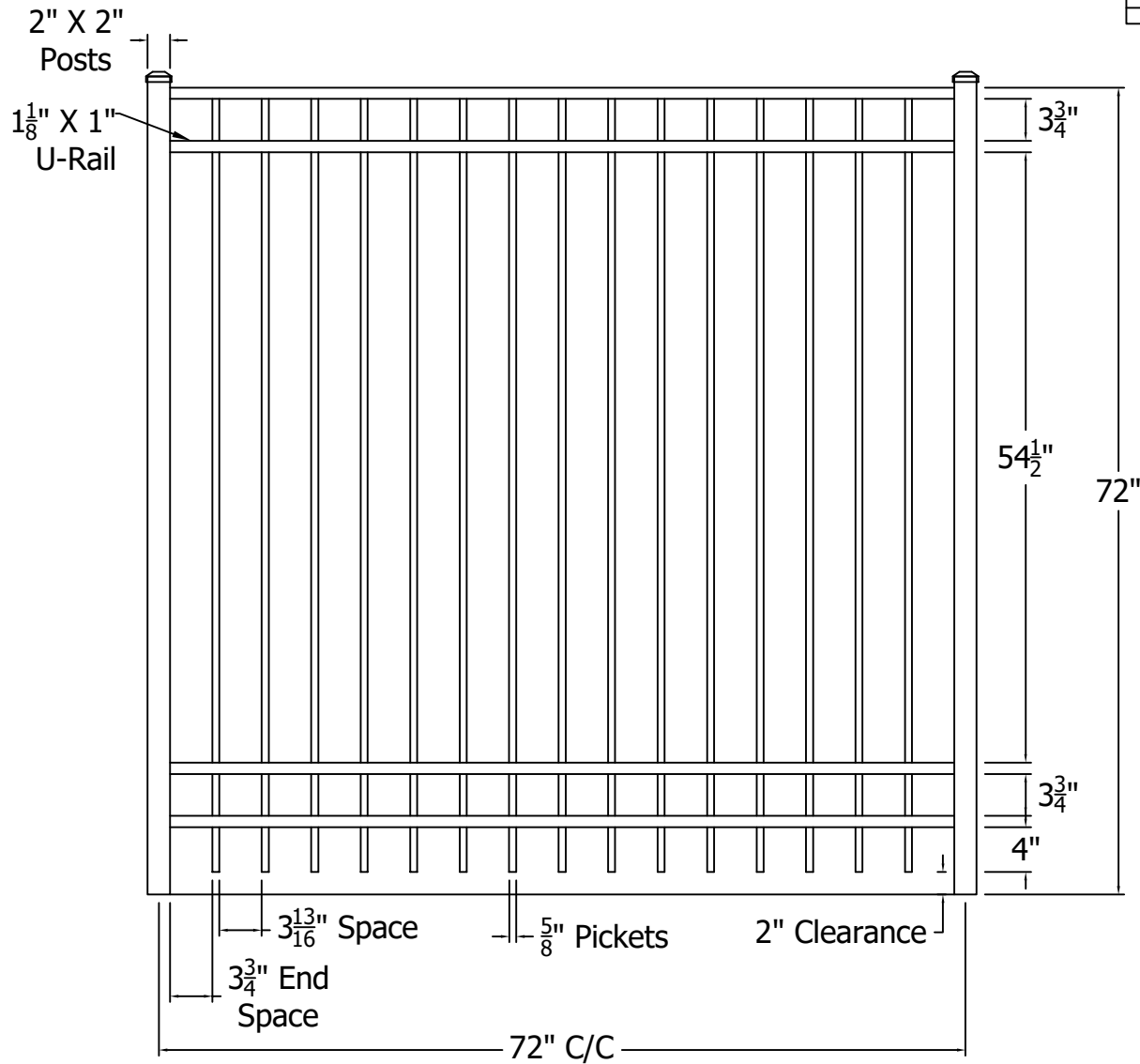




REV.	LOC.	REVISION	DATE
B		Updated Logos	12/21/20



	 <p>3446 US 6 EAST Bremen, IN 46506 diggerspecialties.com</p>	DRAWN BY: EH	STYLE:	3240	
		DATE DRAWN: 02-26-2020			
		SCALE = 1":1"	AS SHOWN: 72" T		
		DRAFT NO.: 20200226-1E	LOC: Z:\Aluminum\Regis\3000 Series\3000 SRS Sections\Updated Standard Drawings		REV. B

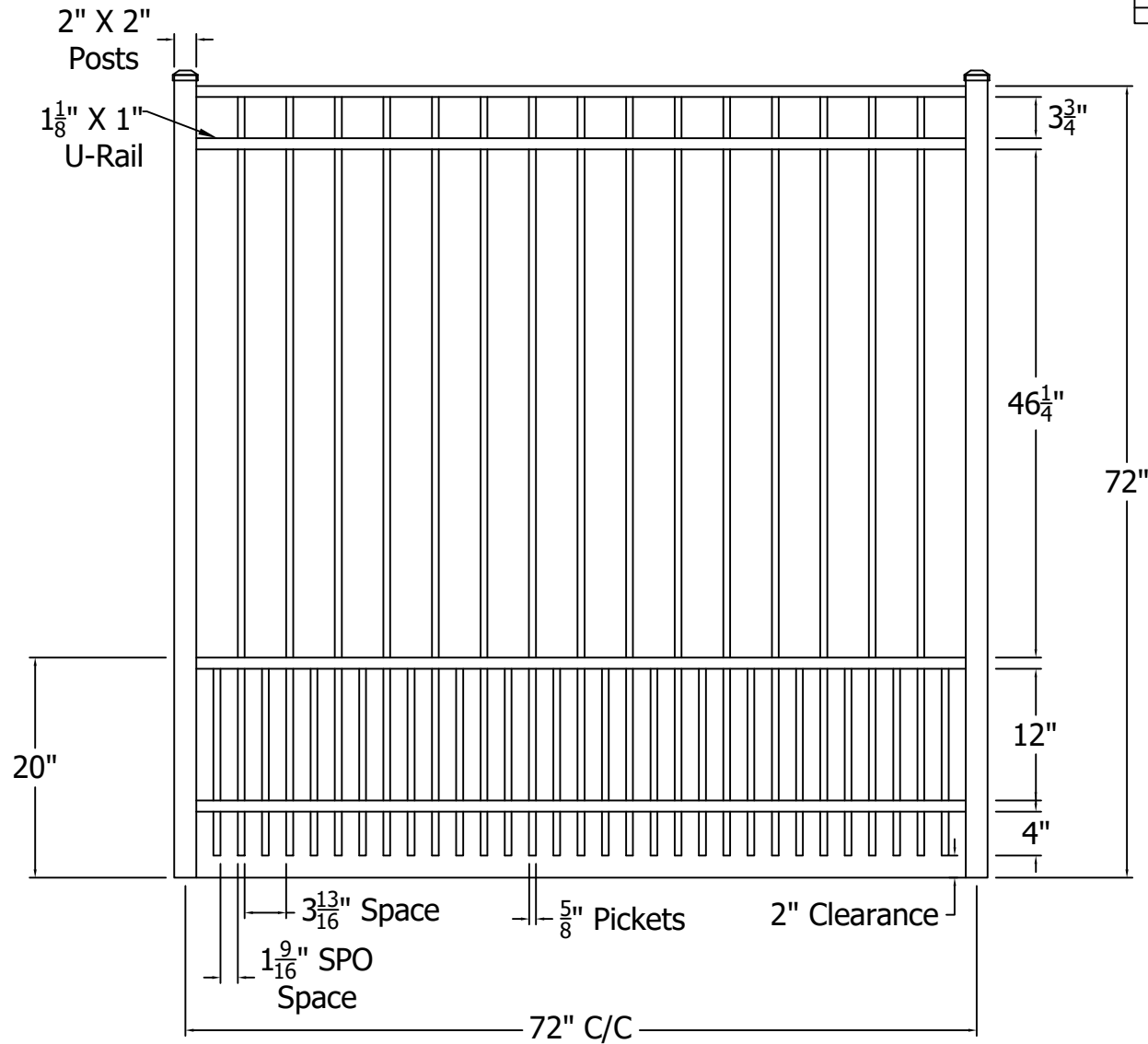
4



3

2

1

REV.	LOC.	REVISION	DATE
B		Updated Logos	12/21/20



	 <p>3446 US 6 EAST Bremen, IN 46506 diggerspecialties.com</p>	DRAWN BY: EH	STYLE:
		DATE DRAWN: 02-26-2020	3240 Short Picket Option
		SCALE = 1":1"	AS SHOWN: 72" T
		DRAFT NO.: 20200226-1E	LOC: Z:\Aluminum\Regis\3000 Series\3000 SRS Sections\Updated Standard Drawings
			REV. B

4

3

2

1

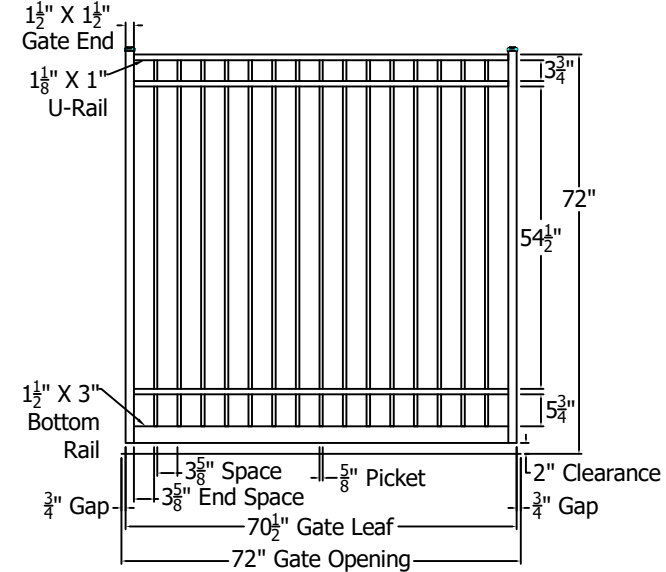
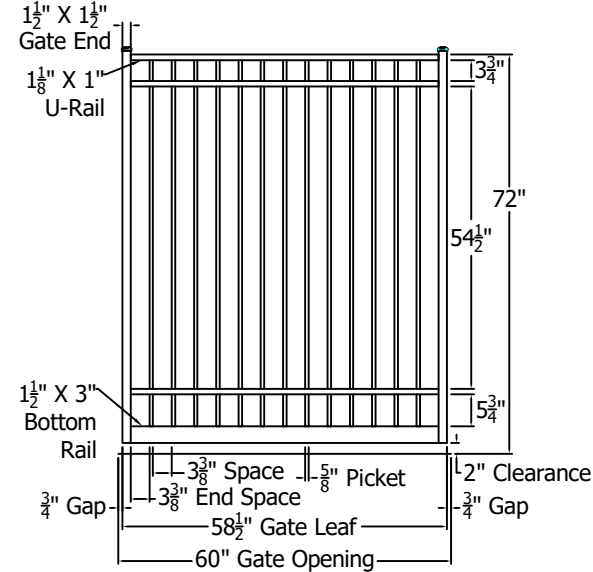
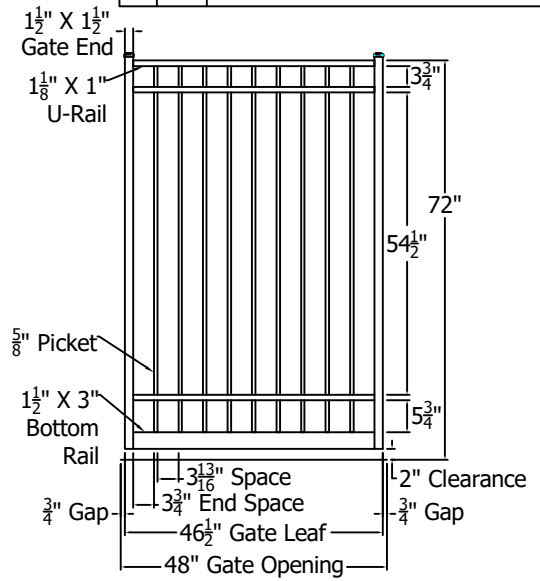
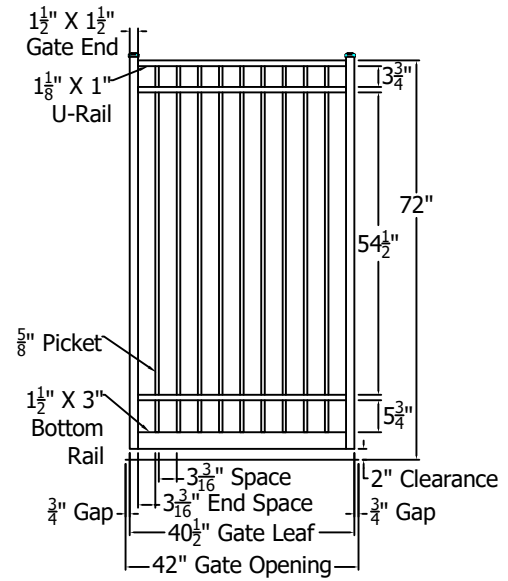
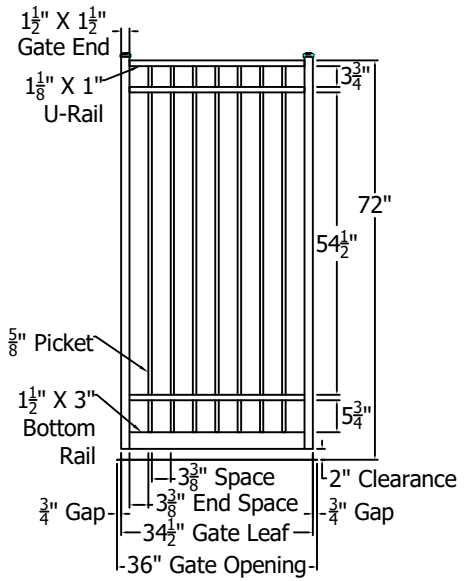
D



C

B

A

REV.	LOC.	REVISION	DATE
B		Updated Logos	12/18/20



	 <p>3446 US 6 EAST Bremen, IN 46506 diggerspecialties.com</p>	DRAWN BY: EH	STYLE:
		DATE DRAWN: 02-26-2020	3240 Standard Gates
		SCALE = 1":1"	AS SHOWN: 72" T
		DRAFT NO.: 20200226-1E	LOC: Z:\Aluminum\Regis\3000 Series\3000 SRS Gates\Updated Standard Drawings

4

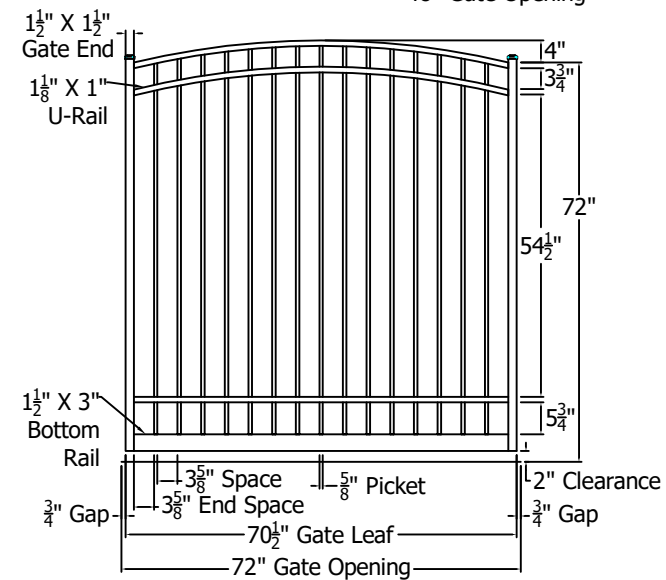
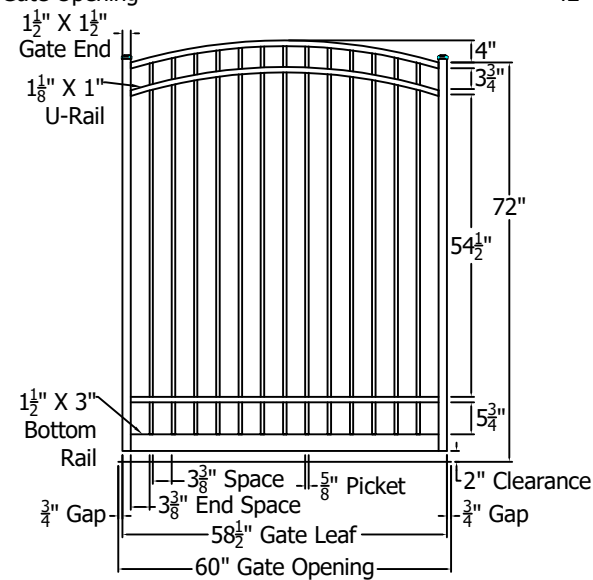
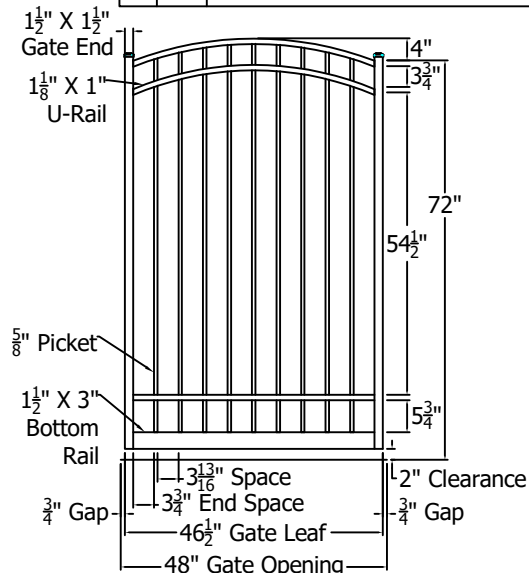
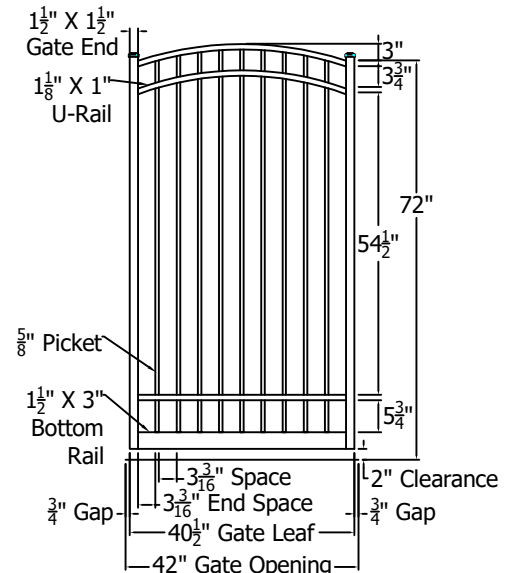
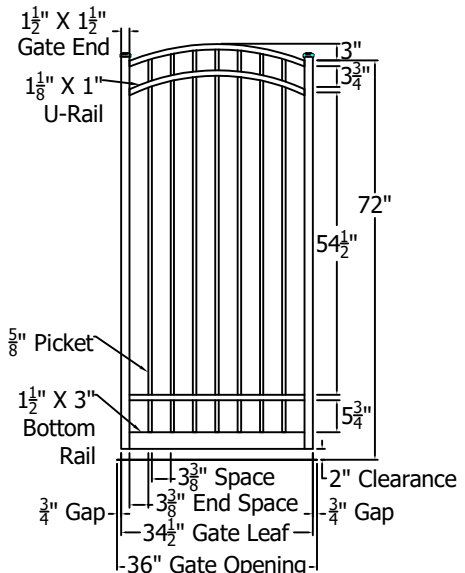
3



2

1

D
C
B
A

REV.	LOC.	REVISION	DATE
B		Updated Logos	12/18/20



	 <p>3446 US 6 EAST Bremen, IN 46506 diggerspecialties.com</p>	DRAWN BY: EH	STYLE:
		DATE DRAWN: 02-26-2020	3240 Standard Gates Arched
		SCALE = 1":1"	AS SHOWN: 72" T
		DRAFT NO.: 20200226-1E	LOC: Z:\Aluminum\Regis\3000 Series\3000 SRS Gates\Updated Standard Drawings

4

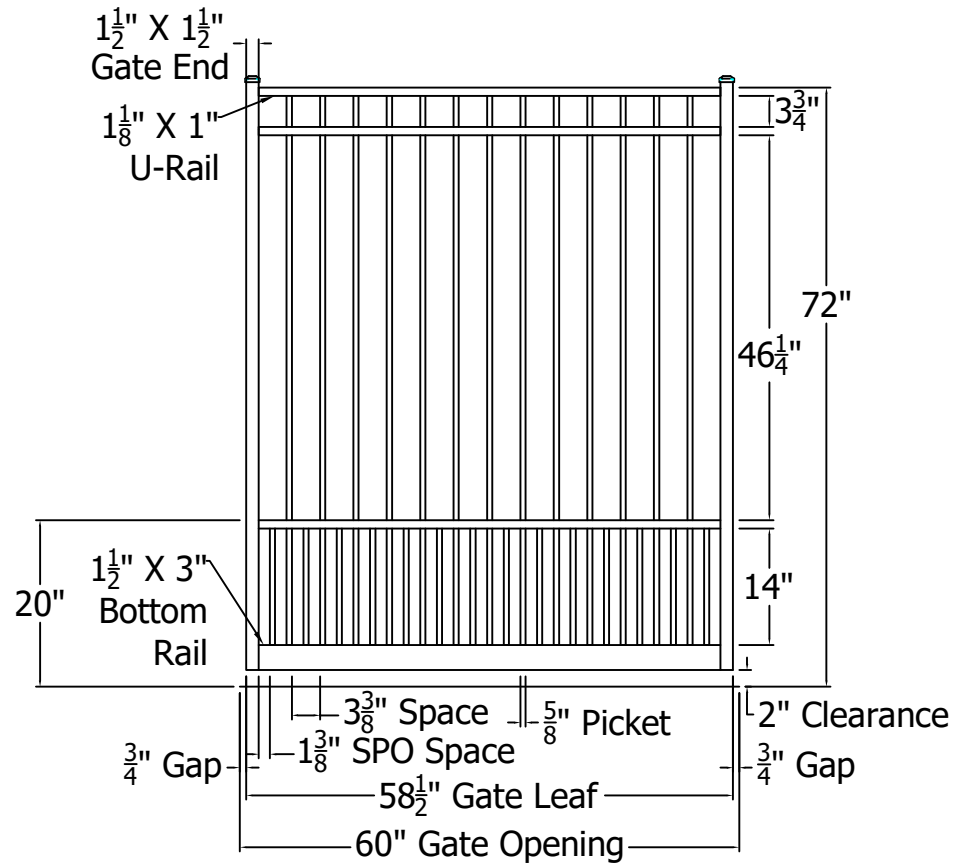
3



2

1

D
C
B
A

REV.	LOC.	REVISION	DATE
B		Updated Logos	12/18/20



	 <p>3446 US 6 EAST Bremen, IN 46506 diggerspecialties.com</p>	DRAWN BY: EH DATE DRAWN: 02-26-2020 SCALE = 1":1"	STYLE: 3240 Standard Gates SPO AS SHOWN: 72" T
		DRAFT NO.: 20200226-1E	LOC: Z:\Aluminum\Regis\3000 Series\3000 SRS Gates\Updated Standard Drawings REV. B

4

3

2

1

D

C

B

A