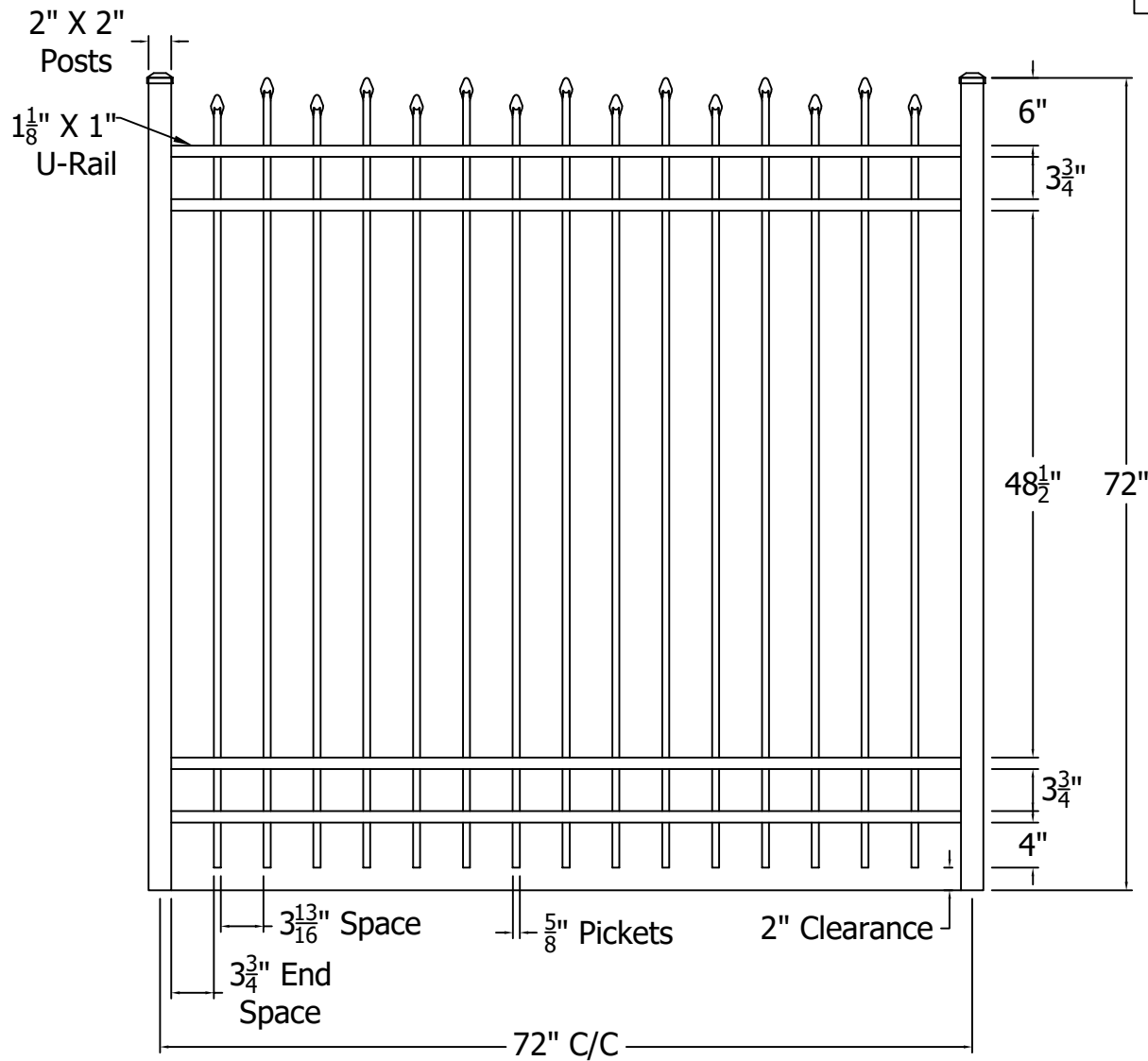







REV.	LOC.	REVISION	DATE
B		Updated Logos	12/21/20



Finial Options	
	
Quad	Triad
	
Fleur-de-lis	

 Regis® ALUMINUM FENCING	 Digger Specialties Inc. <i>Transforming the Outdoor Living Experience™</i> 3446 US 6 EAST Bremen, IN 46506 diggerspecialties.com	DRAWN BY: EH	STYLE:
		DATE DRAWN: 12-02-2019	3142
		SCALE = 1":1"	AS SHOWN: 72" T
DRAFT NO.: 20191202-1E		LOC: Z:\Aluminum\Regis\3000 Series\3000 SRS Sections\Updated Standard Drawings	REV.

4

3

2

1

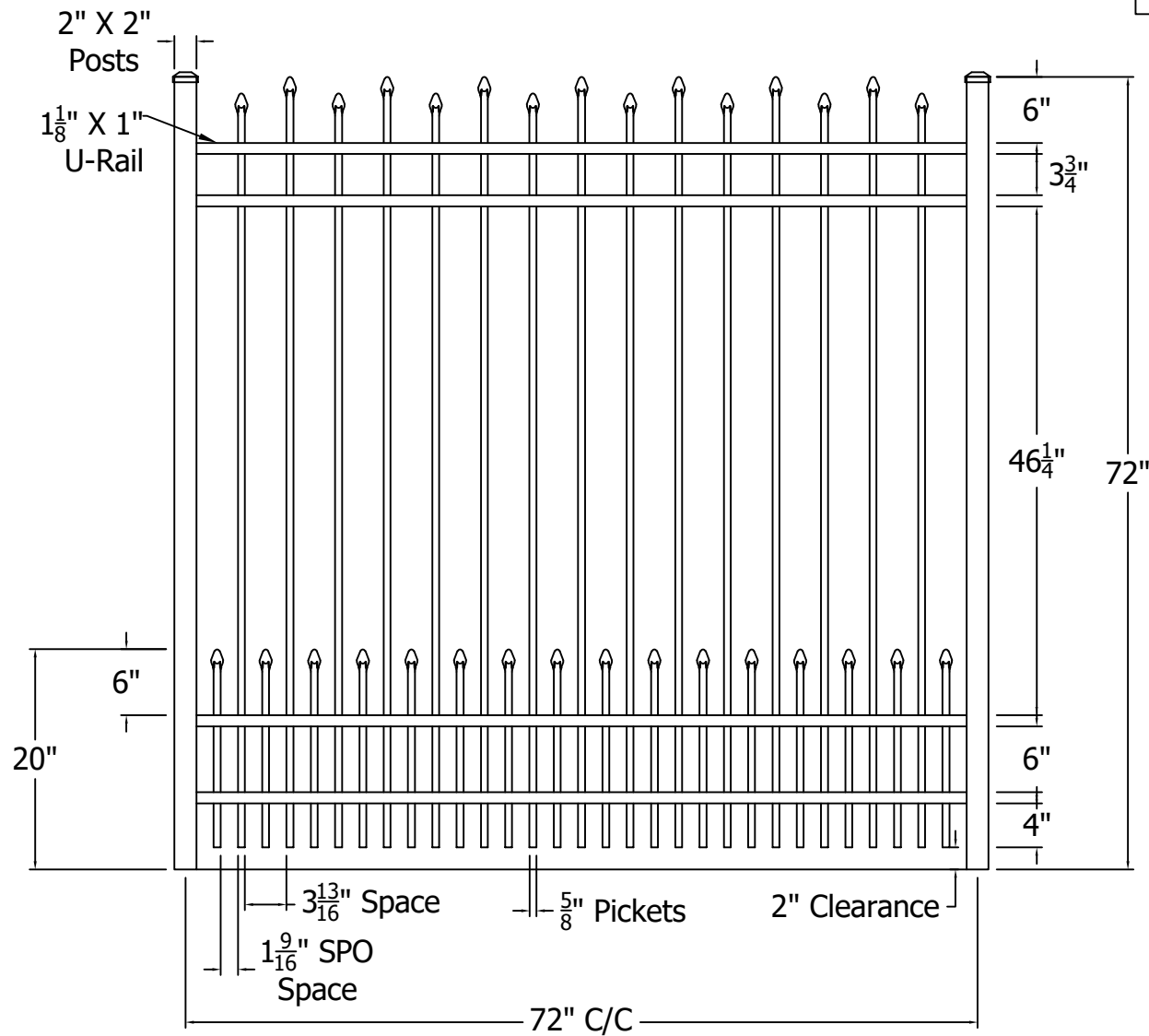
D




C



B

A

REV.	LOC.	REVISION	DATE
B		Updated Logos	12/21/20



Finial Options	
 Quad	 Triad
 Fleur-de-lis	

	 <i>Transforming the Outdoor Living Experience™</i> 3446 US 6 EAST Bremen, IN 46506 diggerspecialties.com	DRAWN BY: EH	STYLE: 3142 Short Picket Option
		DATE DRAWN: 12-02-2019	
		SCALE = 1":1"	
		DRAFT NO.: 20191202-1E	LOC: Z:\Aluminum\Regis\3000 Series\3000 SRS Sections\Updated Standard Drawings REV.

4

3

2

1

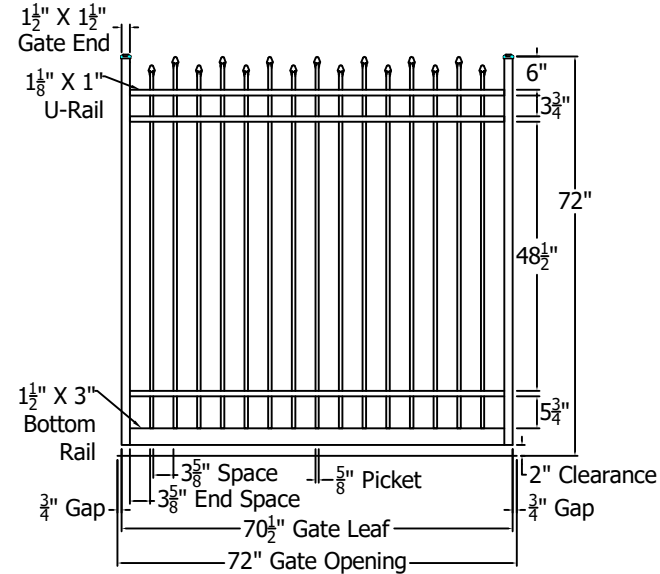
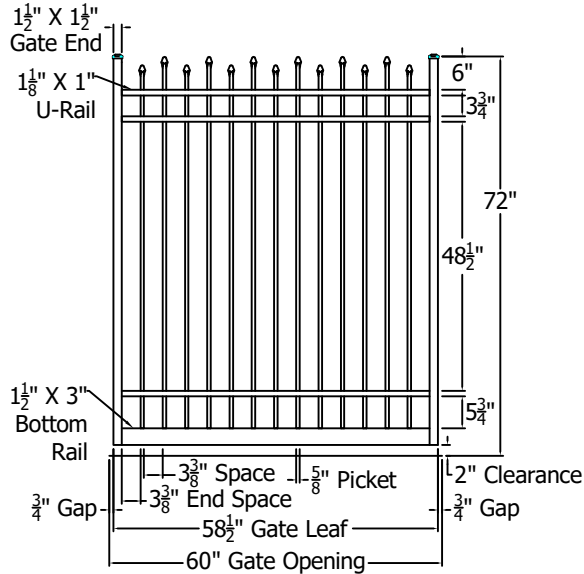
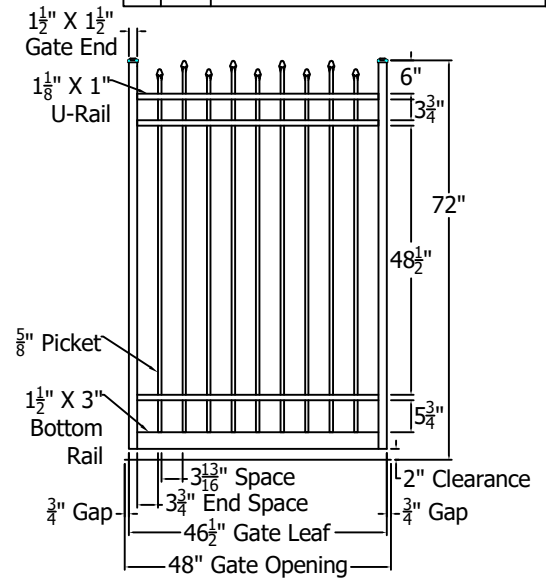
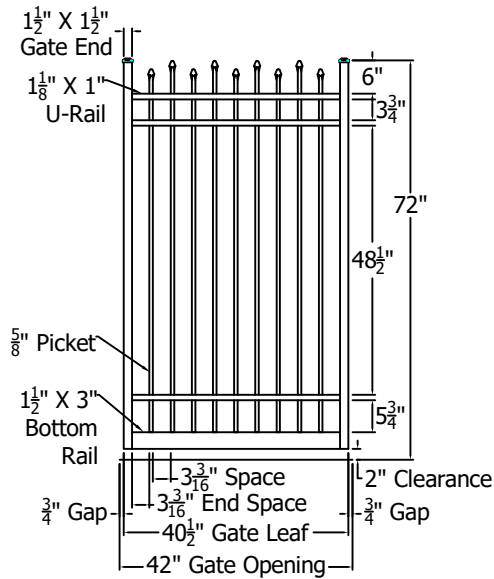
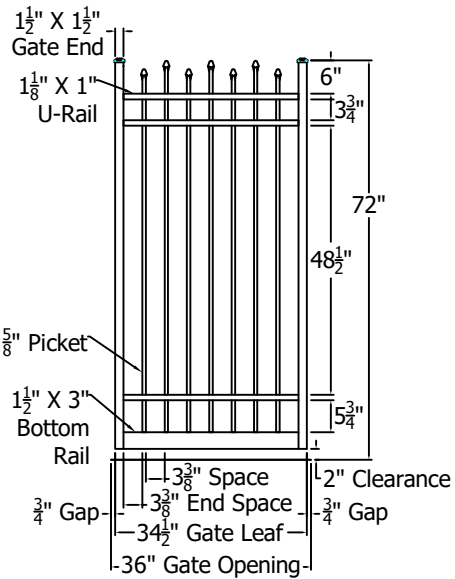
D

C

B

A

REV.	LOC.	REVISION	DATE
B		Updated Logos	12/18/20



Finial Options	
Quad	Triad
Fleur-de-lis	

	<p>3446 US 6 EAST Bremen, IN 46506 diggerspecialties.com</p>	DRAWN BY: EH	STYLE:
		DATE DRAWN: 12-02-2019	3142 Standard Gates
		SCALE = 1":1"	AS SHOWN: 72" T
		DRAFT NO.: 20191202-1E	LOC: Z:\Aluminum\Regis\3000 Series\3000 SRS Gates\Updated Standard Drawings
			REV. B

4

3

2

1

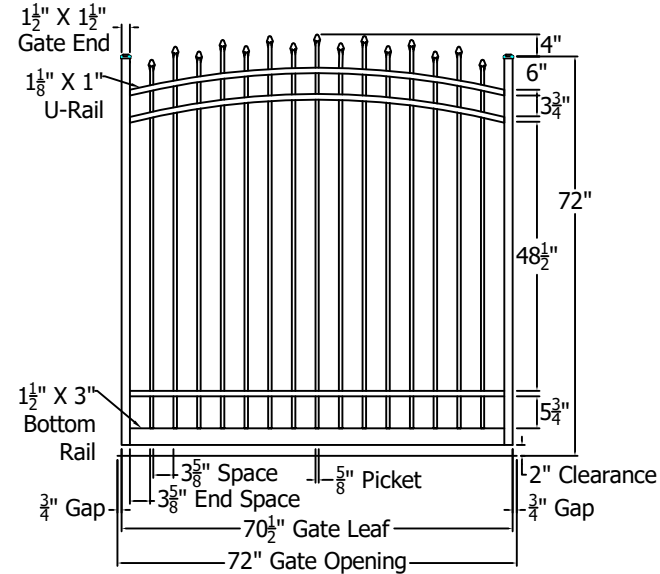
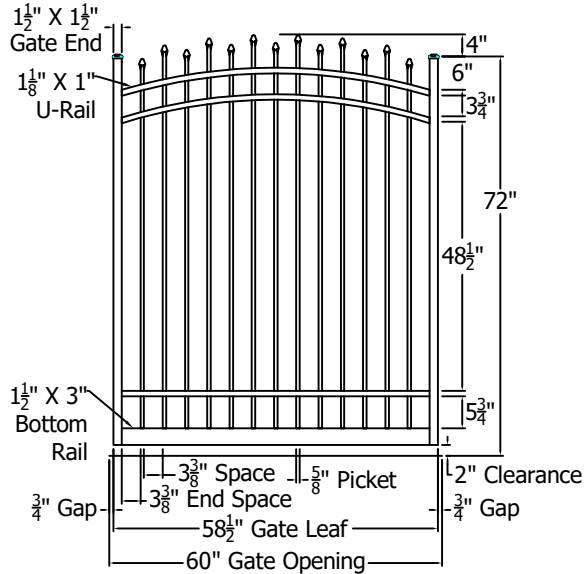
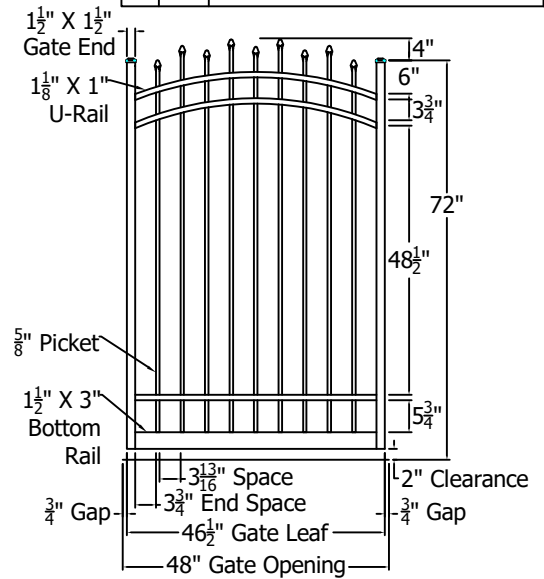
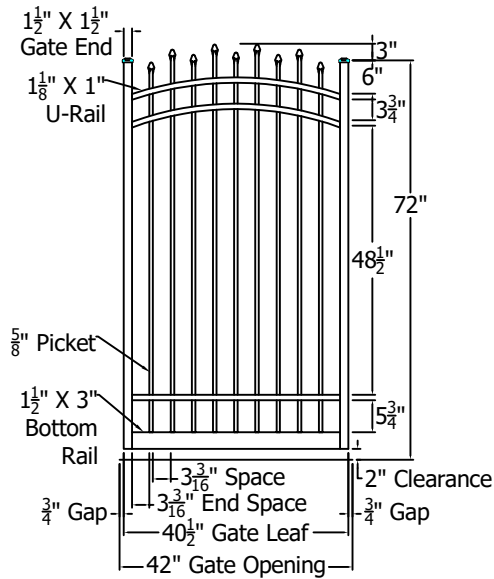
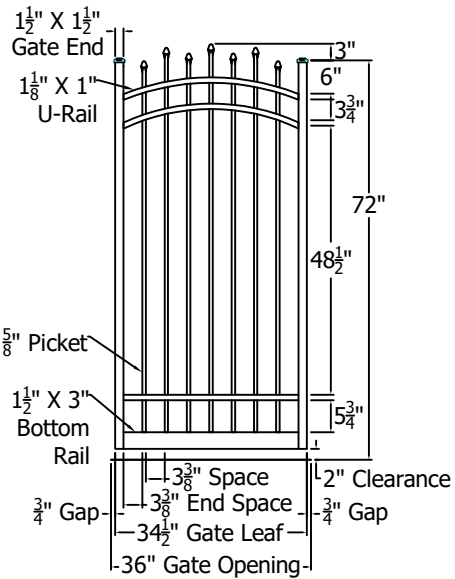
D

C

B

A

REV.	LOC.	REVISION	DATE
B		Updated Logos	12/18/20



Finial Options	
Quad	Triad
Fleur-de-lis	

 Regis® ALUMINUM FENCING	 DSI Digger Specialties Inc. <i>Transforming the Outdoor Living Experience™</i> 3446 US 6 EAST Bremen, IN 46506 diggerspecialties.com	DRAWN BY: EH	STYLE:
		DATE DRAWN: 12-02-2019	3142 Standard Gates Arched
		SCALE = 1":1"	AS SHOWN: 72" T
		DRAFT NO.: 20191202-1E	LOC: Z:\Aluminum\Regis\3000 Series\3000 SRS Gates\Updated Standard Drawings
			REV. B

4

3

2

1

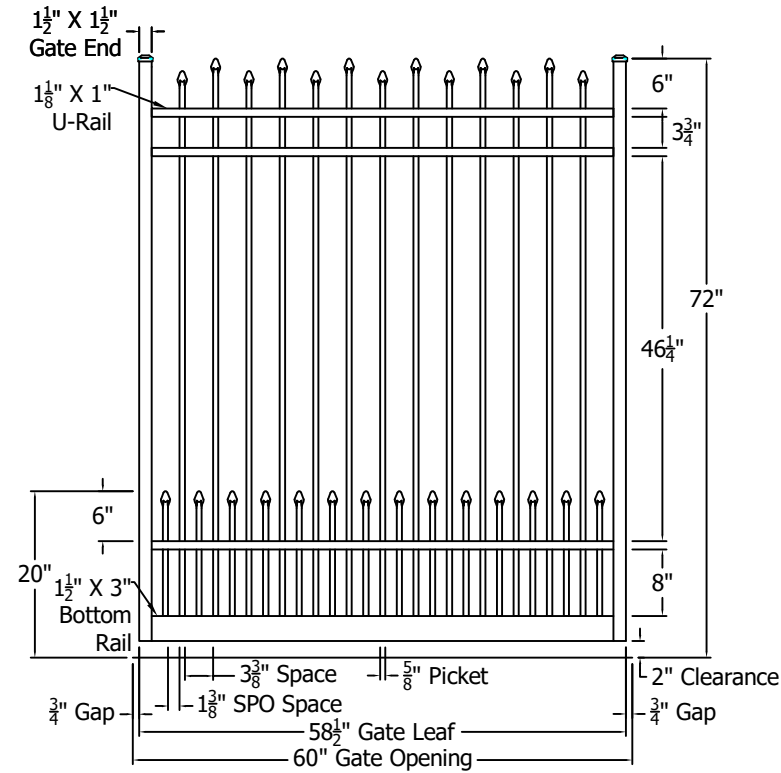
D




C



B

A

REV.	LOC.	REVISION	DATE
B		Updated Logos	12/18/20



Finial Options	
 Quad	 Triad
 Fleur-de-lis	

	 Digger Specialties Inc. <i>Transforming the Outdoor Living Experience™</i> 3446 US 6 EAST Bremen, IN 46506 diggerspecialties.com	DRAWN BY: EH	STYLE:
		DATE DRAWN: 12-02-2019	3142 Standard Gates SPO
		SCALE = 1":1"	AS SHOWN: 72" T
		DRAFT NO.: 20191202-1E	LOC: Z:\Aluminum\Regis\3000 Series\3000 SRS Gates\Updated Standard Drawings
			REV. B

4

3

2

1

D

C

B

A