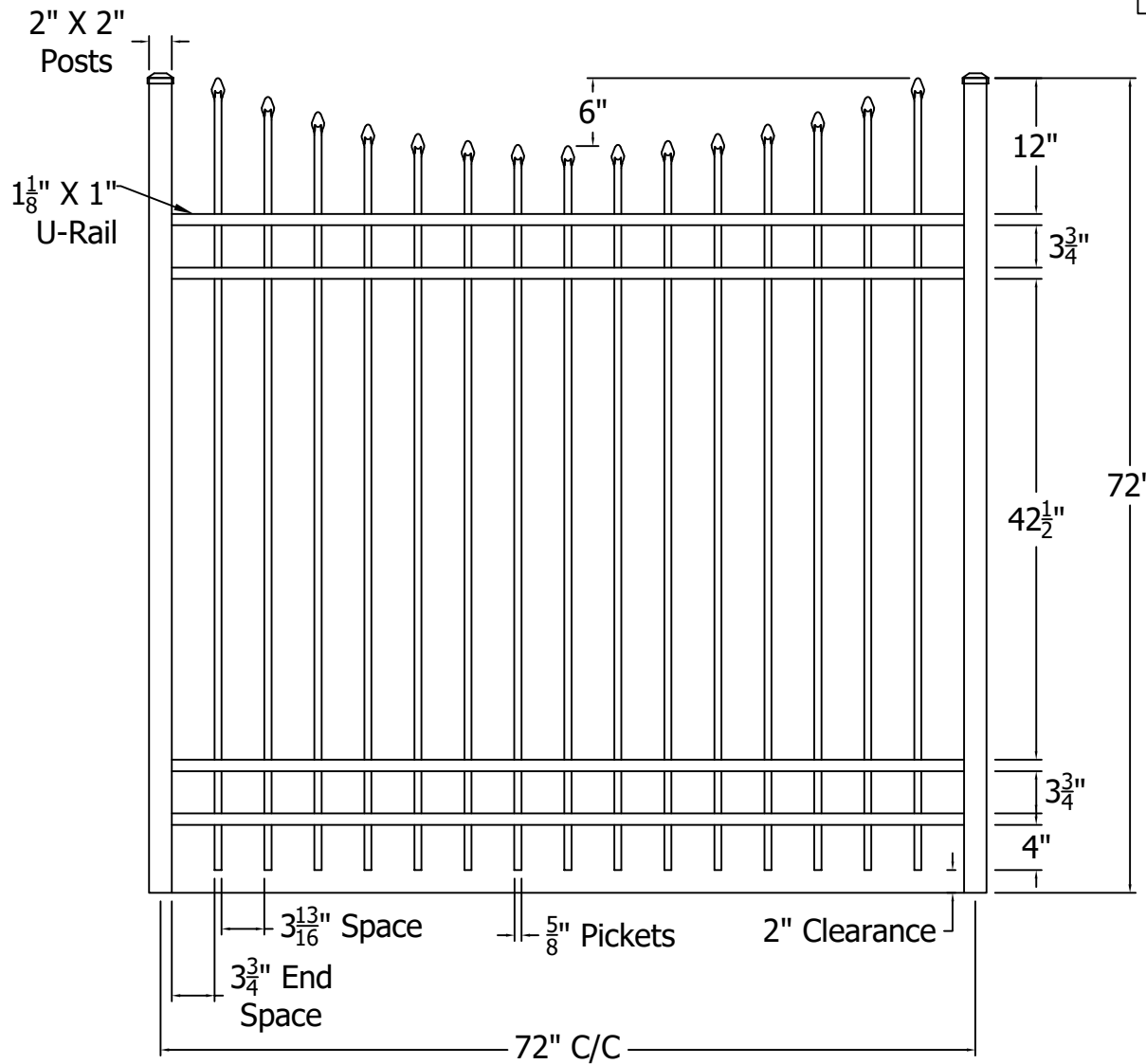







REV.	LOC.	REVISION	DATE
B		Updated Logos	12/17/20



Finial Options	
 Quad	 Triad
 Fleur-de-lis	

	 <p>3446 US 6 EAST Bremen, IN 46506 diggerspecialties.com</p>	DRAWN BY: EH	STYLE:
		DATE DRAWN: 12-02-2019	<b>3141 Concave</b>
		SCALE = 1":1"	AS SHOWN: 72" T
		DRAFT NO.: 20191202-1E	LOC: Z:\Aluminum\Regis\3000 Series\3000 SRS Sections\Updated Standard Drawings
			REV.

4

3

2

1

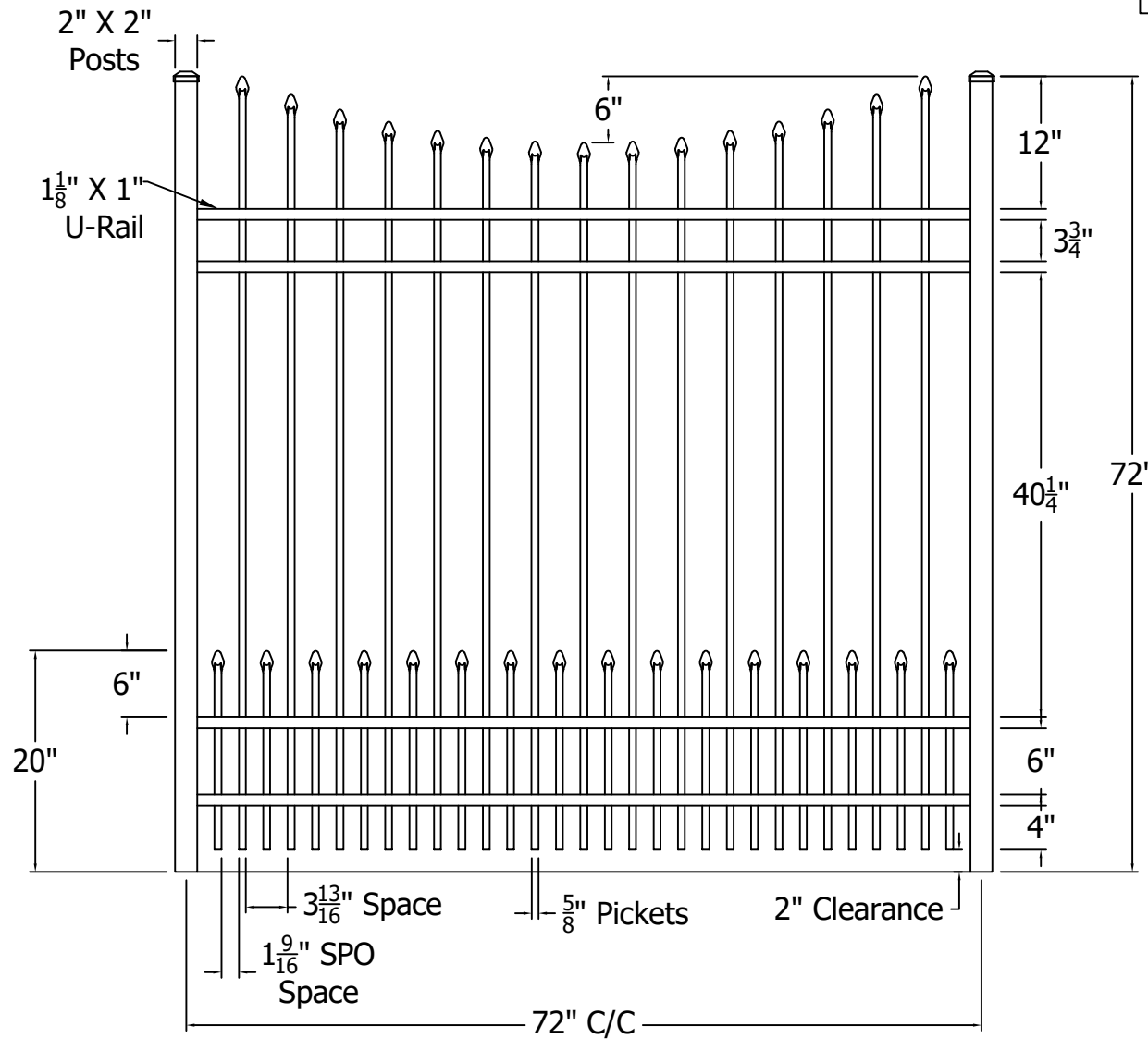
D




C



B

A

REV.	LOC.	REVISION	DATE
B		Updated Logos	12/17/20



Finial Options	
 Quad	 Triad
 Fleur-de-lis	

	 Digger Specialties Inc. <i>Transforming the Outdoor Living Experience™</i>	DRAWN BY: EH	STYLE:
		DATE DRAWN: 12-02-2019	<b>3141 Concave Short Picket Option</b>
		SCALE = 1":1"	AS SHOWN: 72" T
		DRAFT NO.: 20191202-1E	LOC: Z:\Aluminum\Regis\3000 Series\3000 SRS Sections\Updated Standard Drawings

4

3

2

1

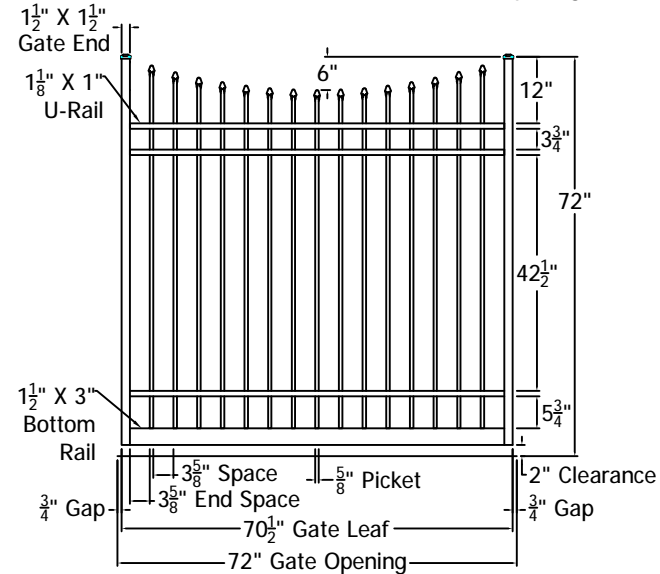
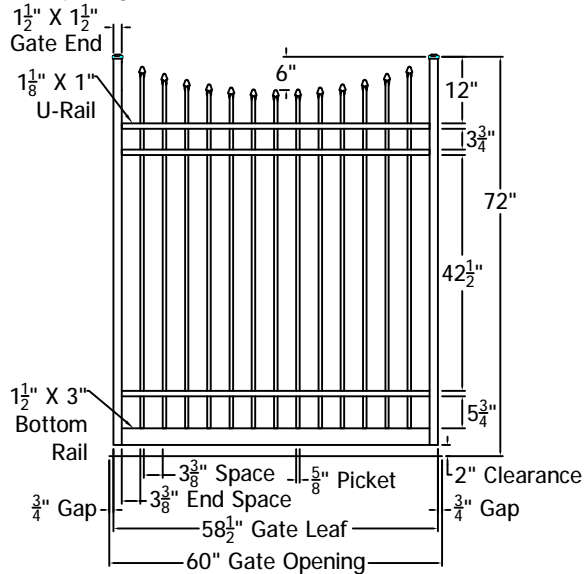
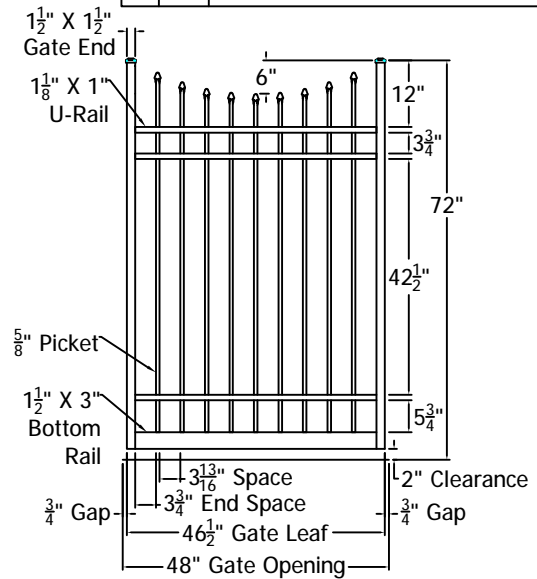
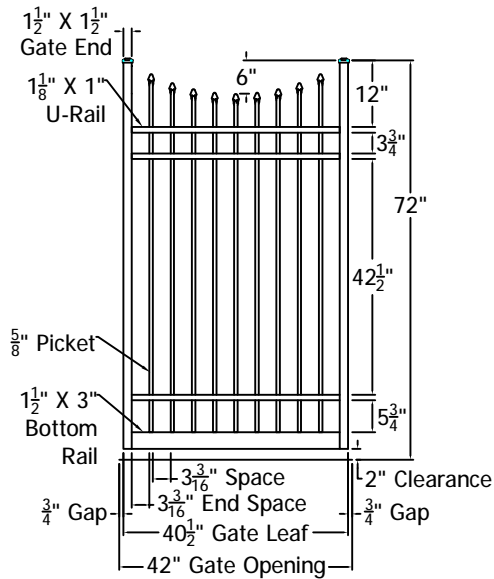
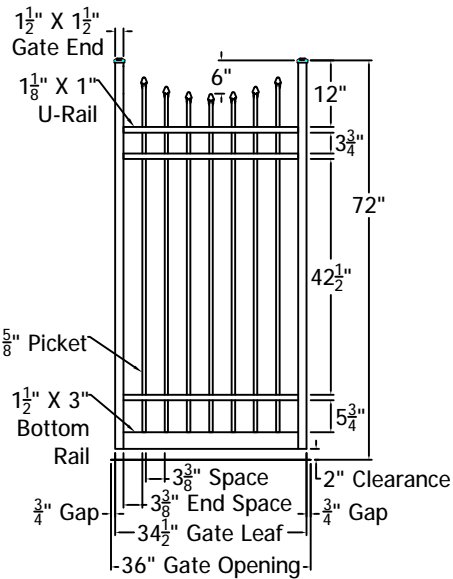
D

C

B

A

REV.	LOC.	REVISION	DATE



Finial Options	
Quad	Triad
Fleur-de-lis	



**DSI** Digger Specialties Inc.  
*Transforming the Outdoor Living Experience*  
 3446 US 6 EAST  
 Bremen, IN 46606  
 diggerspecialties.com

DRAWN BY: EH	STYLE:
DATE DRAWN: 12-02-2019	<b>3141 Concave Standard Gates</b>
SCALE = 1"=1"	AS SHOWN: 72" T
DRAFT NO.: 20191202-1E	LOC: Z:\Aluminum\Regis\3000 Series\3000 SRS Gates\Updated Standard Drawings
	REV.

4

3

2

1

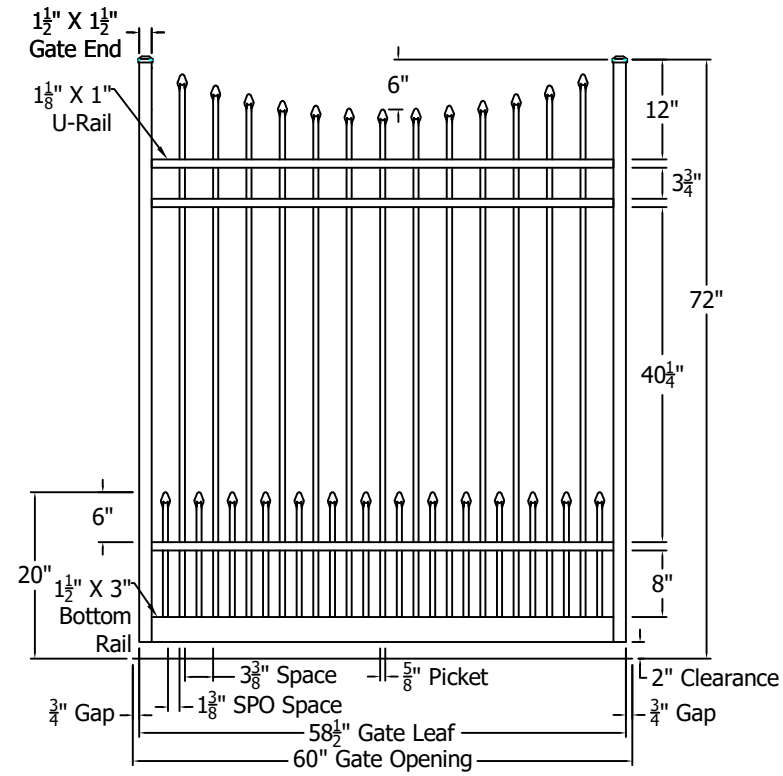
D




C



B

A

REV.	LOC.	REVISION	DATE
B		Updated Logos	12/18/20



Finial Options	
 Quad	 Triad
 Fleur-de-lis	

	 <i>Transforming the Outdoor Living Experience™</i> 3446 US 6 EAST Bremen, IN 46506 diggerspecialties.com	DRAWN BY: EH DATE DRAWN: 12-02-2019 SCALE = 1":1"	STYLE: <b>3141 Concave Standard Gates SPO</b> AS SHOWN: 72" T
		DRAFT NO.: 20191202-1E	LOC: Z:\Aluminum\Regis\3000 Series\3000 SRS Gates\Updated Standard Drawings REV. B

4

3

2

1

D

C

B

A