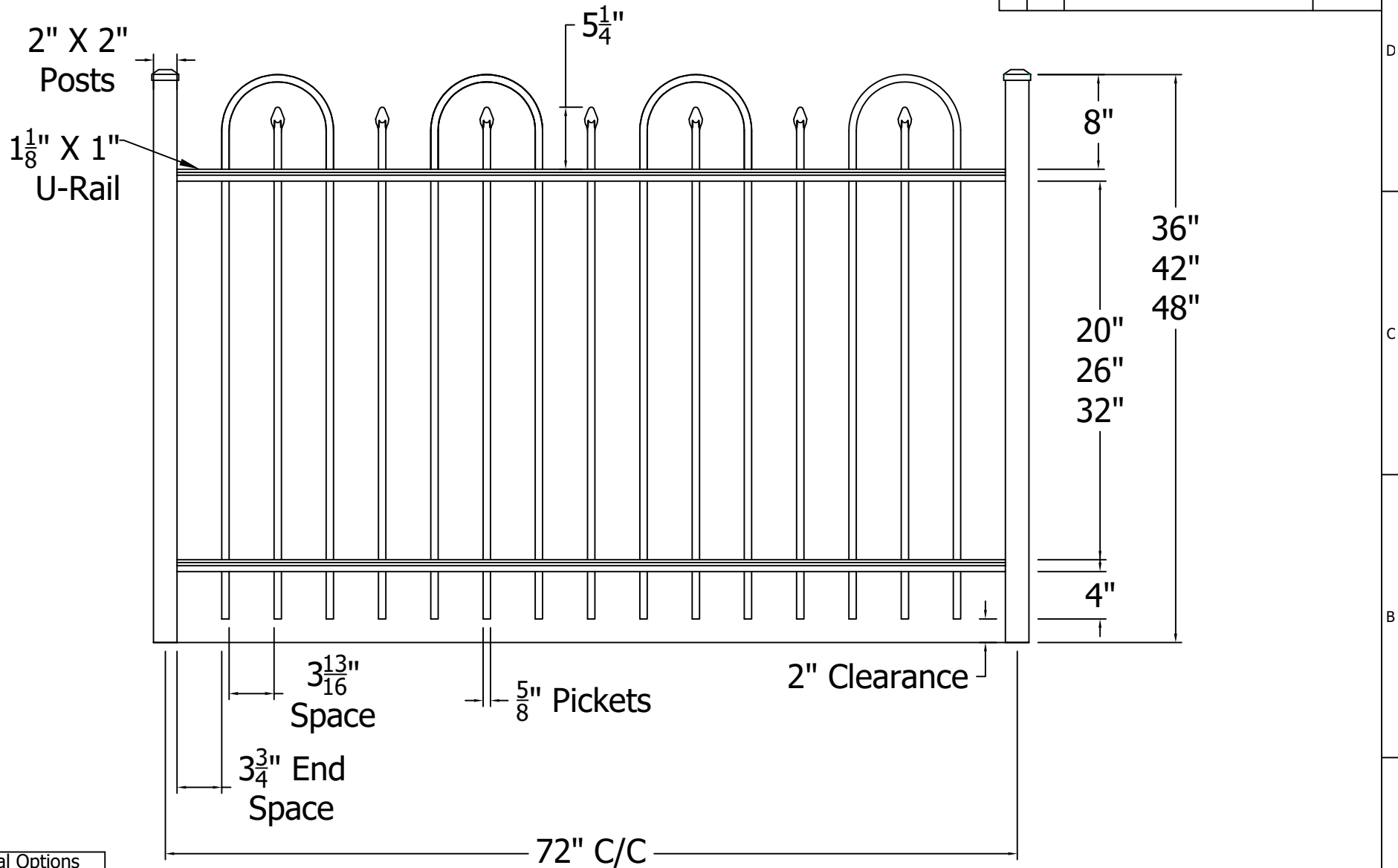


REV.	LOC.	REVISION	DATE
B		Updated Logos	12/17/20



Finial Options	
Quad	Triad
Fleur-de-lis	

	<p>3446 US 6 EAST Bremen, IN 46506 diggerspecialties.com</p>	DRAWN BY: EH	STYLE:
		DATE DRAWN: 09-09-2019	<b>3124</b>
		SCALE = 1":1"	AS SHOWN: 48" T
DRAFT NO.: 20190909-1E		LOC: Z:\Aluminum\Regis\3000 Series\3000 SRS Sections\Updated Standard Drawings	REV.

4

3

2

1

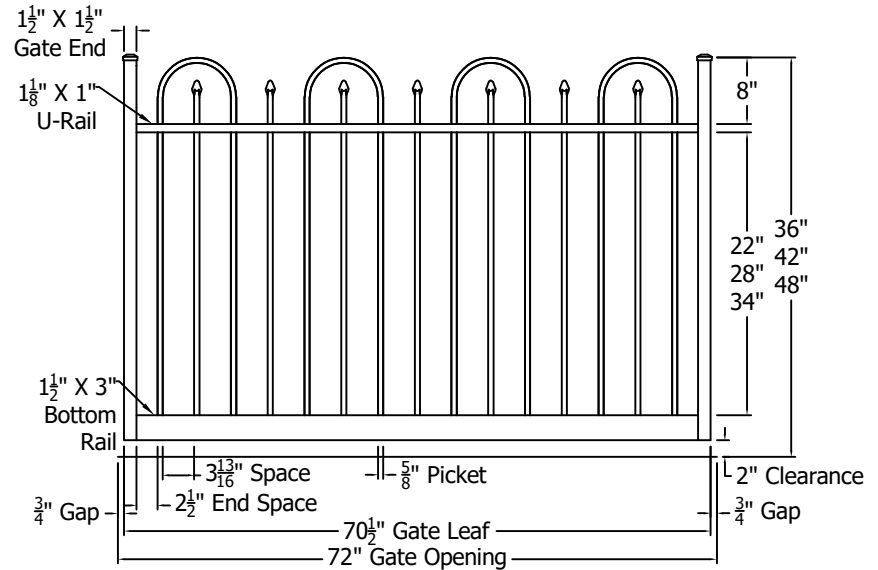
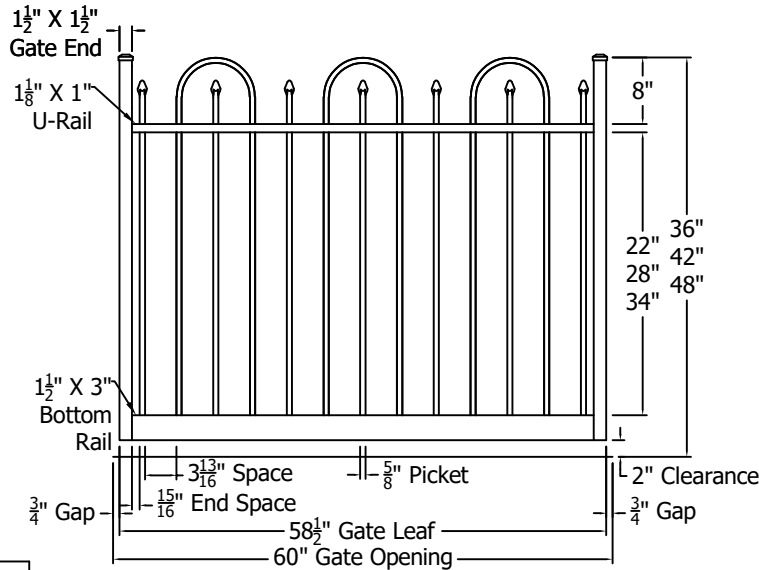
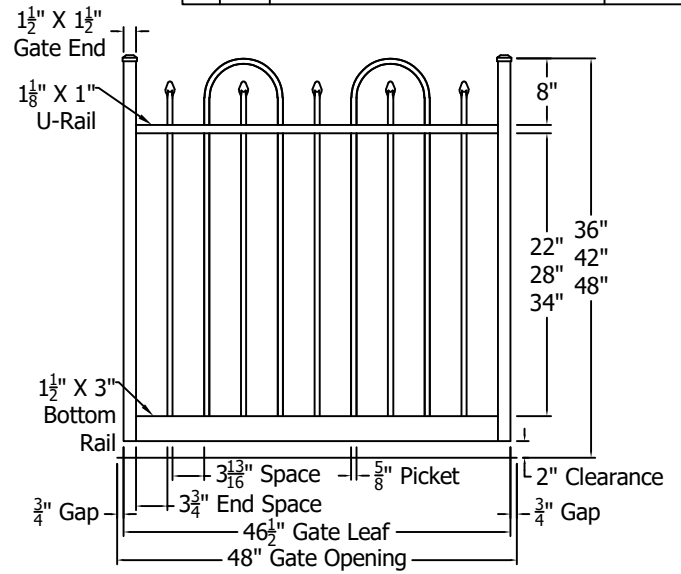
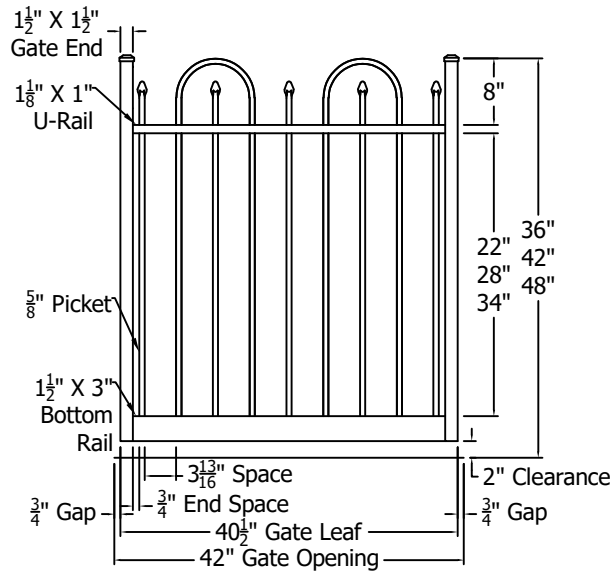
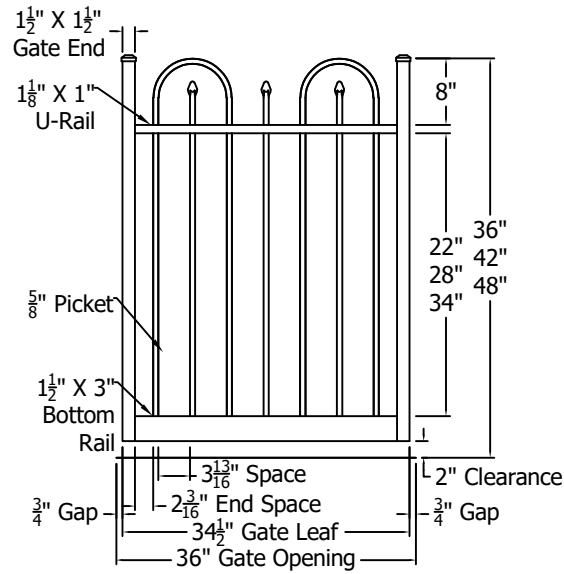
D

C

B

A

REV.	LOC.	REVISION	DATE
B		Updated Logos	12/18/20



Finial Options	
Quad	Triad
Fleur-de-lis	

	<p>3446 US 6 EAST Bremen, IN 46506 diggerspecialties.com</p>	DRAWN BY: EH DATE DRAWN: 09-09-2019	STYLE: <b>3124 Standard Gates</b>
		SCALE = 1":1"	AS SHOWN: 48" T
		DRAFT NO.: 20190909-1E	LOC: Z:\Aluminum\Regis\3000 Series\3000 SRS Gates\Updated Standard Drawings
			REV. B

4

3

2

1

D

C

B

A