

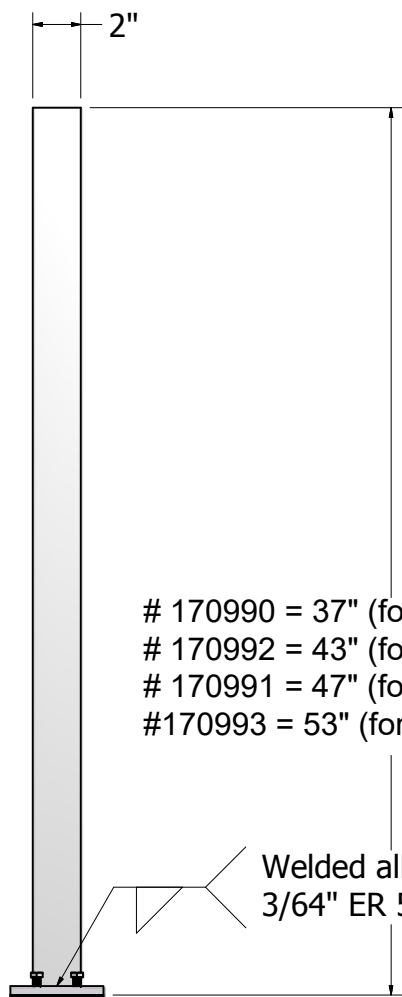
4

3

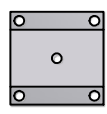
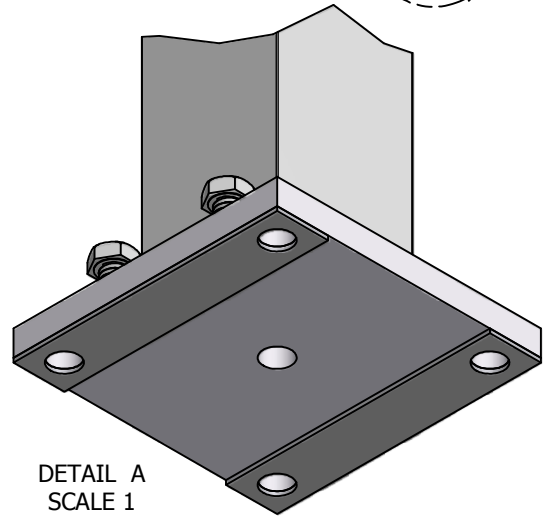
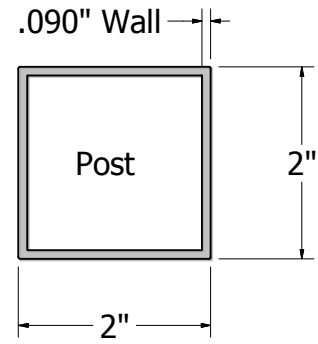
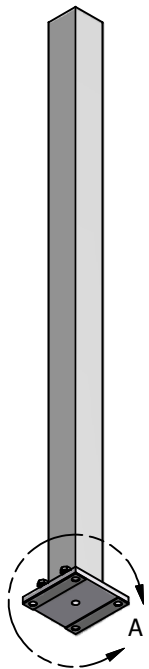
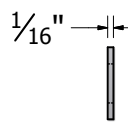
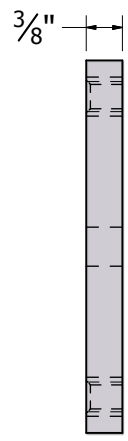
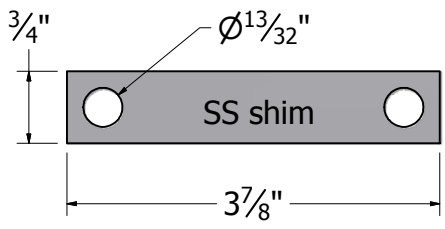
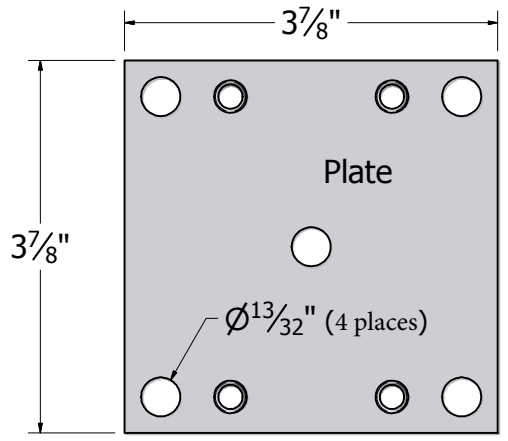
2

1 PART NUMBER:

REV.	REVISION	DATE
A	RELEASED TO PRODUCTION	



- # 170990 = 37" (for 36" tall system)
- # 170992 = 43" (for 42" tall system)
- # 170991 = 47" (for 36" tall stair system)
- #170993 = 53" (for 42" tall stair system)



4

3

4

2

1

<p><b>Digger Specialties Inc.</b> Transforming the Outdoor Living Experience® 3446 US 6 EAST BREMEN, IN 46506 www.diggerspecialties.com</p>	WEIGHT: 4 lbs.	DRAWN BY: fsb	MATERIAL: Aluminum
	STANDARD TOLERANCE: .00 .01 .000 .005 ANG. .5°~	DATE DRAWN: 1/20/2012	PART NAME: Mount Alum Post ADJU
	FRACTIONS: ± 1/16"	APPROVED BY: DATE APPR'D:	PART NUMBER: Listed on print
	DRAFT NO.	FILE LOC: Z/Aluminum/Components/Post Mounts/2" Sq. Post	REV.

D

C

4

B

D

C

4

B

A

A