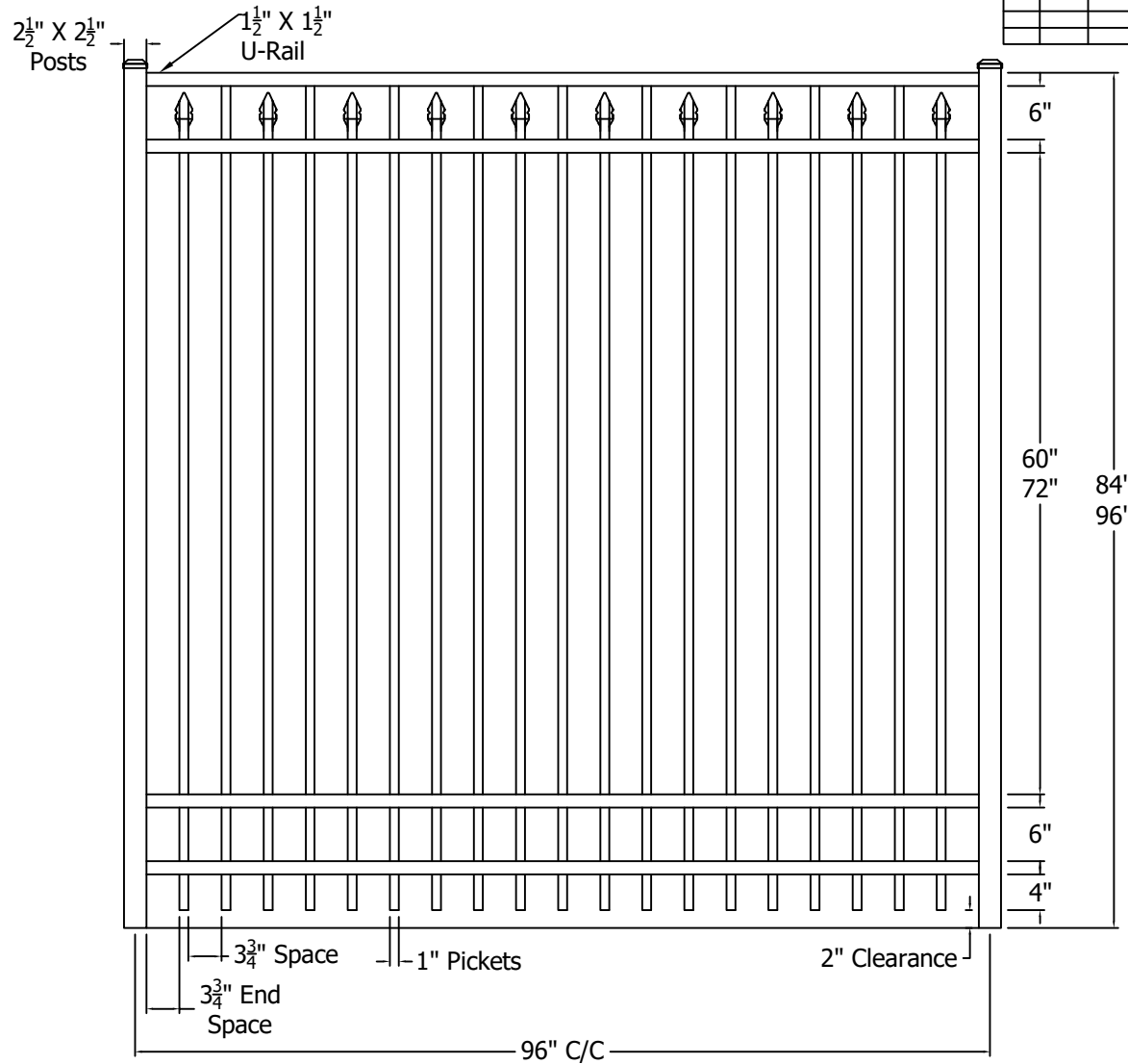







REV.	LOC.	REVISION	DATE



Finial Options	
 Quad	 Triad
 Fleur-de-lis	

	 <i>Transforming the Outdoor Living Experience™</i> 3446 US 6 EAST Bremen, IN 46506 diggerspecialties.com	DRAWN BY: EH DATE DRAWN: 08-19-2021	STYLE: <b>2243</b>
		SCALE = 1":1"	AS SHOWN: 96" W X 96" T
		DRAFT NO.: 20210819-1E	LOC: Z:\Aluminum\CourtYard\2000 Series\Updated Standard Drawings REV. <b>A</b>

4

3

2

1

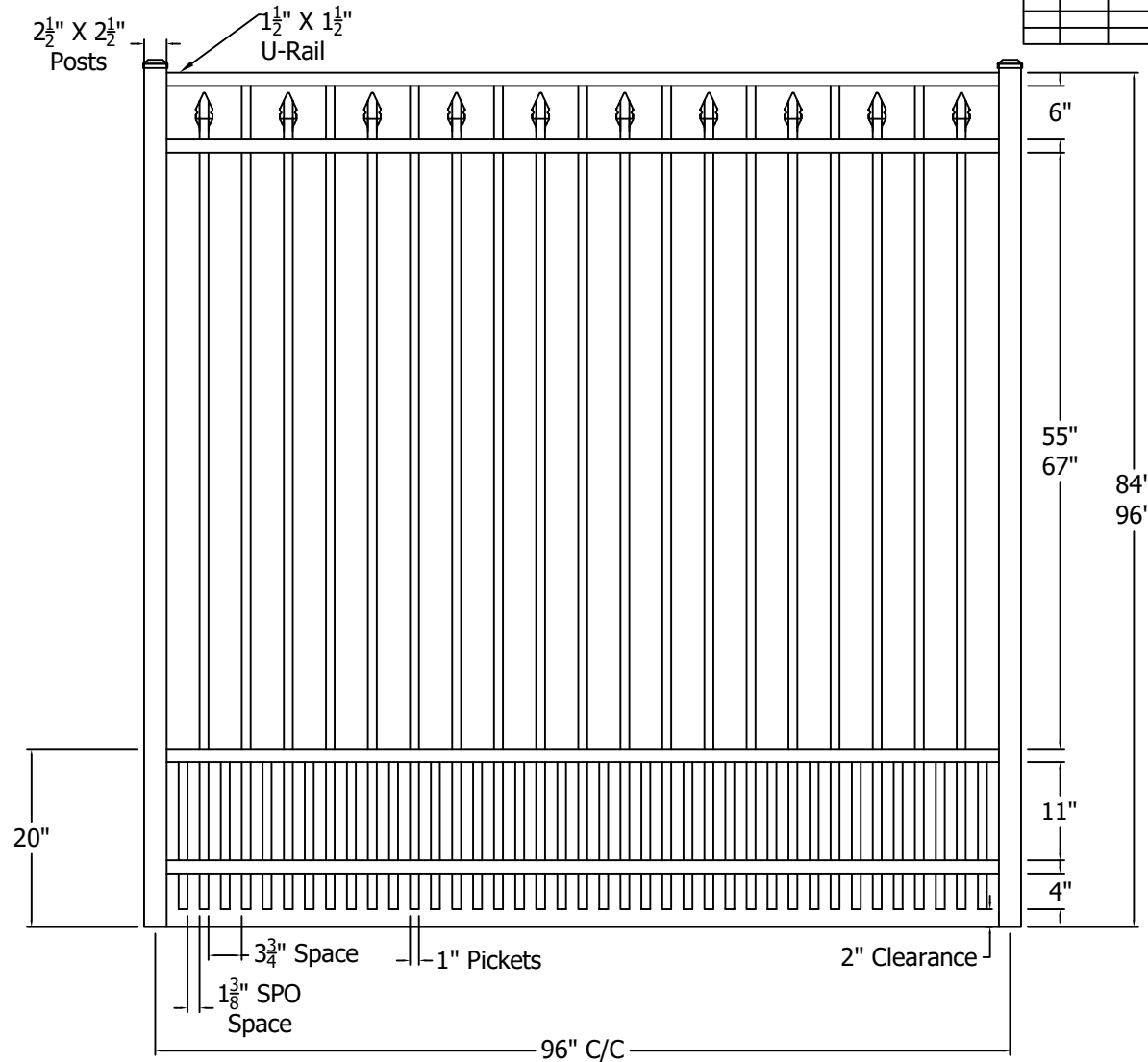
A




B



C

D

REV.	LOC.	REVISION	DATE



Finial Options	
 Quad	 Triad
 Fleur-de-lis	

	 <i>Transforming the Outdoor Living Experience™</i> 3446 US 6 EAST Bremen, IN 46506 diggerspecialties.com	DRAWN BY: EH DATE DRAWN: 08-19-2021	STYLE: <b>2243 Short Picket Option</b>
		SCALE = 1":1"	AS SHOWN: 96" W X 96" T
		DRAFT NO.: 20210819-1E	LOC: Z:\Aluminum\CourtYard\2000 Series\Updated Standard Drawings REV. <b>A</b>

4

3

2

1

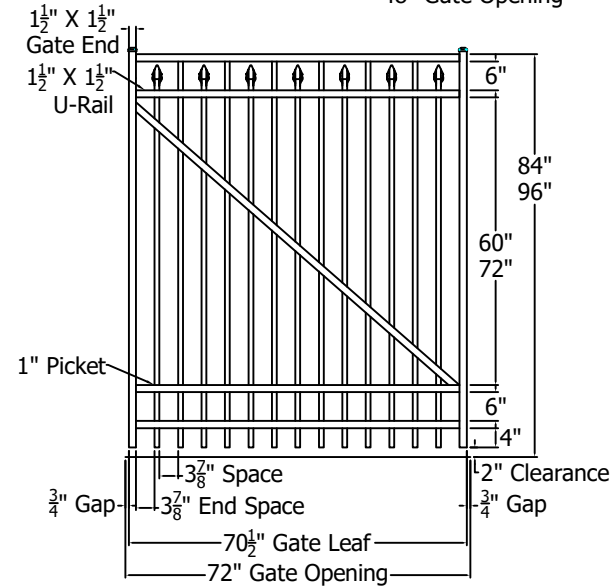
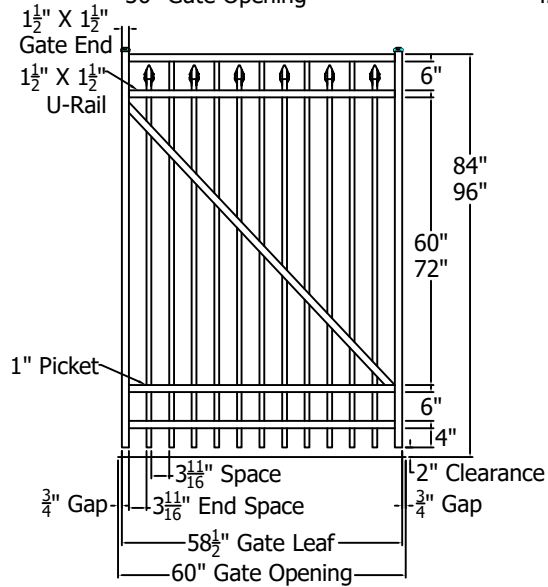
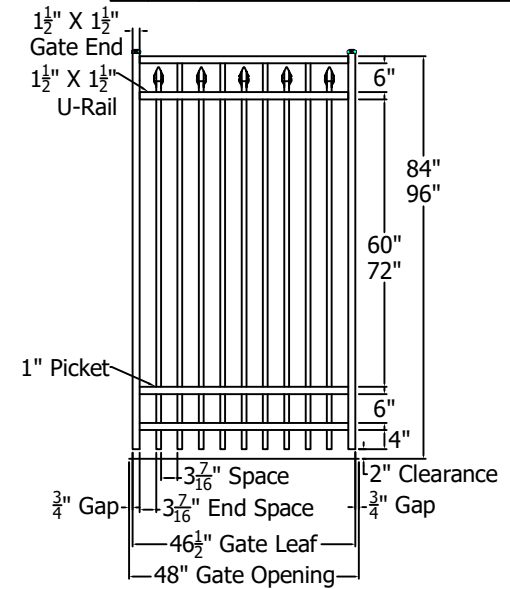
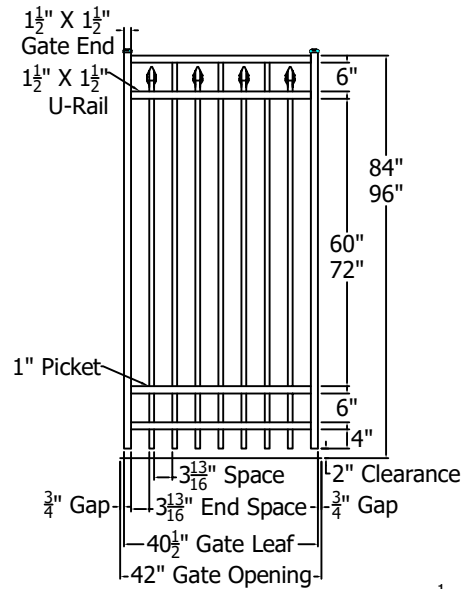
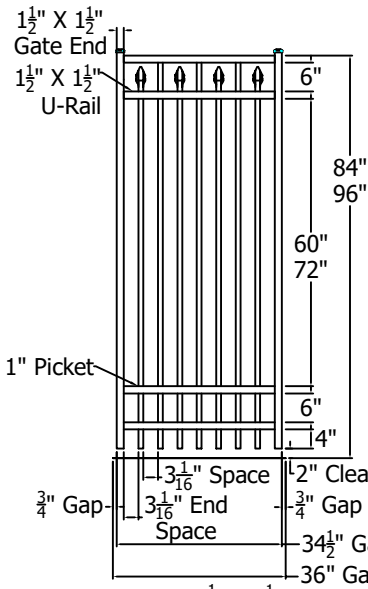
A



B

C

D

REV.	LOC.	REVISION	DATE



	 <p>Transforming the Outdoor Living Experience™</p> <p>3446 US 6 EAST Bremen, IN 46506 diggerspecialties.com</p>	DRAWN BY: EH DATE DRAWN: 08-19-2021	STYLE: <b>2243 Standard Gates</b>
		SCALE = 1":1"	AS SHOWN: 84" T
		DRAFT NO.: 20210819-1E	LOC: Z:\Aluminum\CourtYard\2000 Series\Updated Standard Drawings
		REV. A	

4

3

2

1

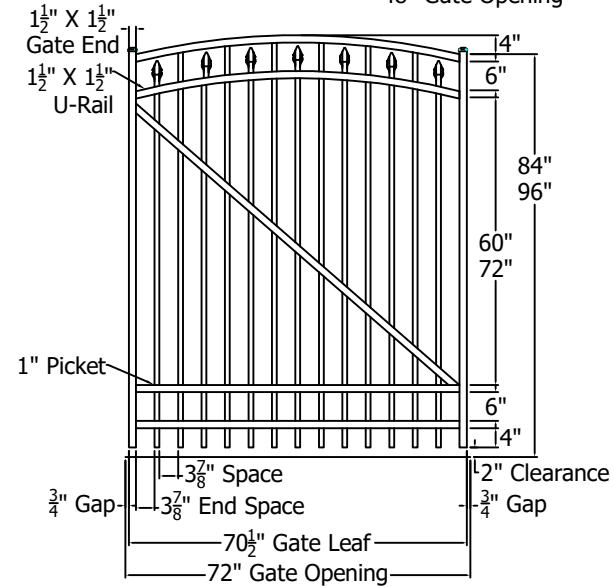
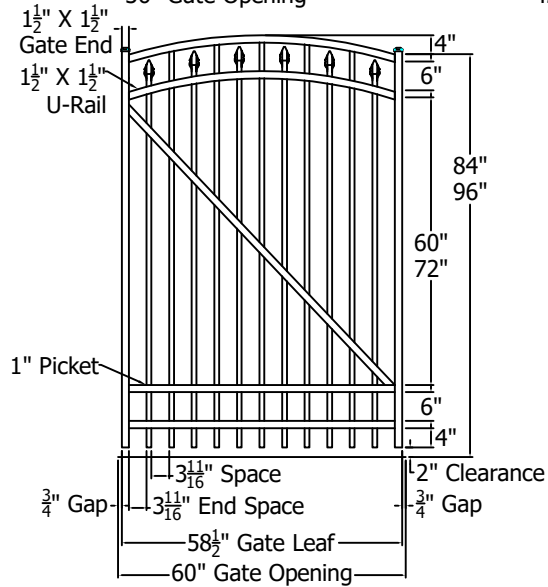
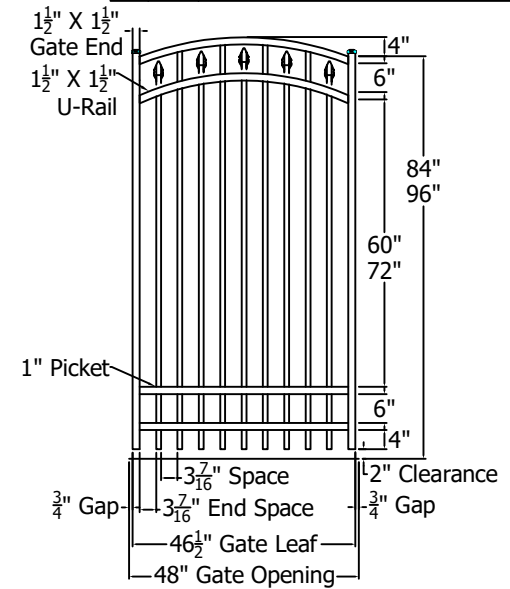
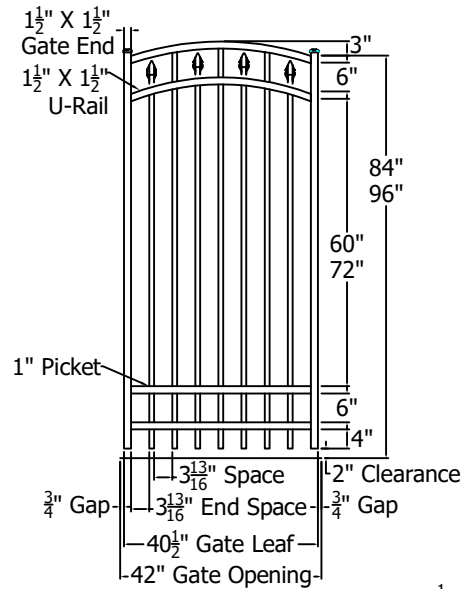
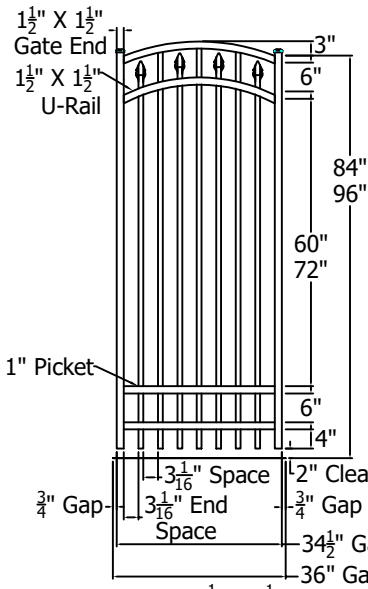
D



C

B

A

REV.	LOC.	REVISION	DATE



	 <p>Transforming the Outdoor Living Experience™</p> <p>3446 US 6 EAST Bremen, IN 46506 diggerspecialties.com</p>	DRAWN BY: EH DATE DRAWN: 08-19-2021	STYLE: <b>2243 Standard Gates</b> <b>Arched</b>
		SCALE = 1":1"	AS SHOWN: 84" T
		DRAFT NO.: 20210819-1E	LOC: Z:\Aluminum\CourtYard\2000 Series\Updated Standard Drawings
		REV. A	

4

3

2

1

D

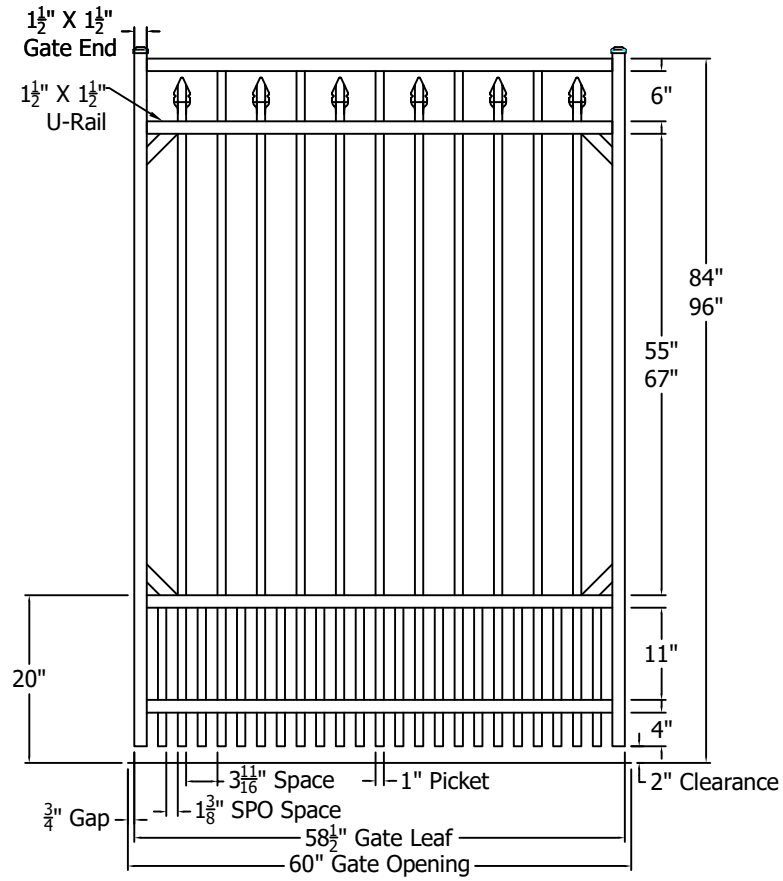
C



B

A

NOTE: Gusset Bracing Required On Gates Over 48" Wide

REV.	LOC.	REVISION	DATE



	 <p><i>Transforming the Outdoor Living Experience™</i></p> <p>3446 US 6 EAST Bremen, IN 46506 diggerspecialties.com</p>	DRAWN BY: EH	STYLE:
		DATE DRAWN: 08-19-2021	<b>2243 Standard Gates SPO</b>
		SCALE = 1":1"	AS SHOWN: 84" T
		DRAFT NO.: 20210819-1E	LOC: Z:\Aluminum\CourtYard\2000 Series\Updated Standard Drawings
			REV. <b>A</b>

D  
C  
B  
A