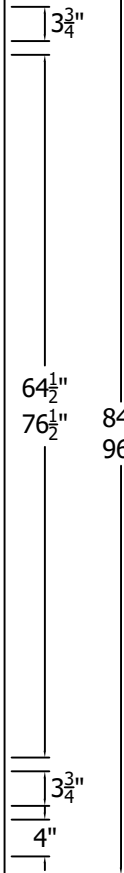
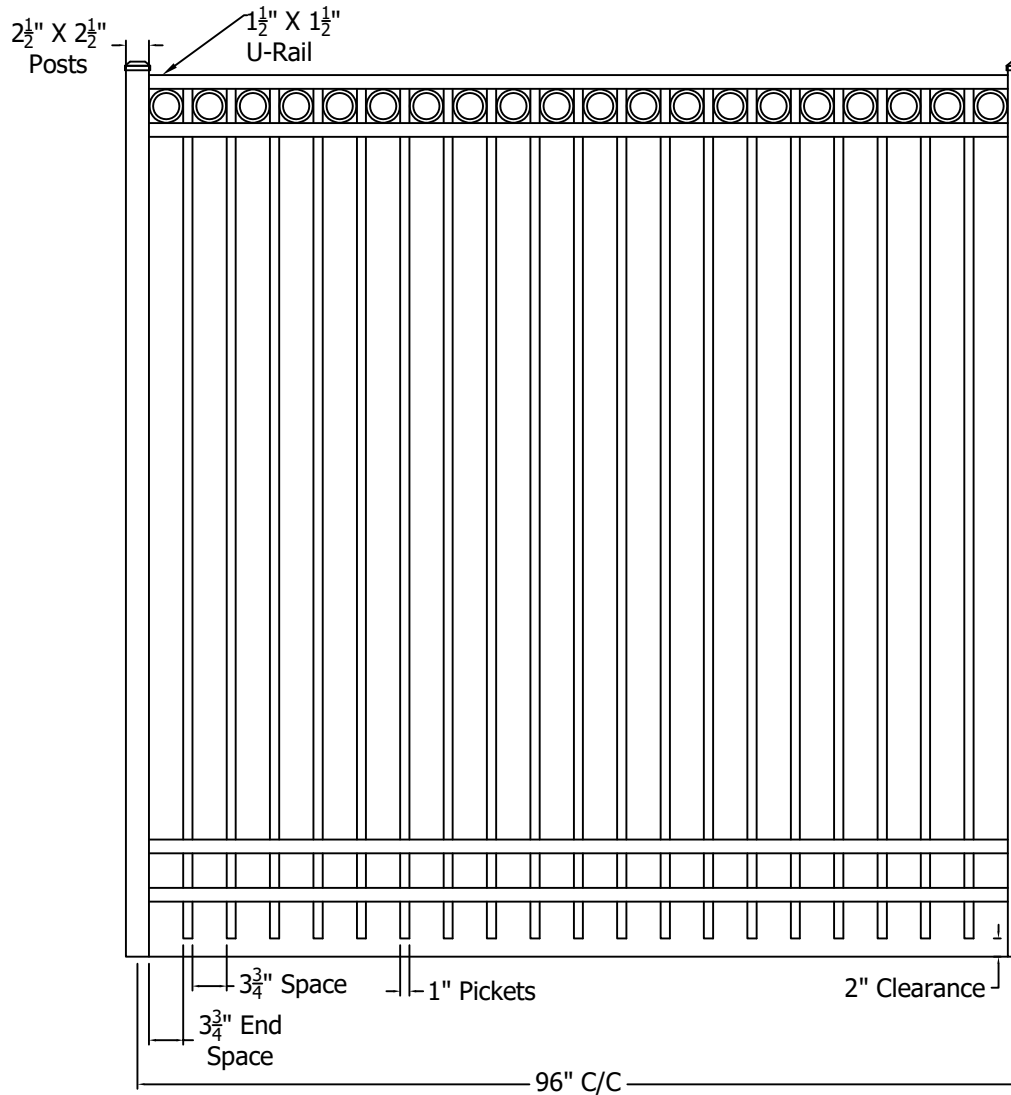




REV.	LOC.	REVISION	DATE



D  
C  
B  
A

	 <p>3446 US 6 EAST Bremen, IN 46506 diggerspecialties.com</p>	DRAWN BY: EH DATE DRAWN: 06-02-2021 SCALE = 1":1"	STYLE: <b>2240R</b> AS SHOWN: 96" W X 96" T
		DRAFT NO.: 20210602-1E	LOC: Z:\Aluminum\CourtYard\2000 Series\Updated Standard Drawings REV. A

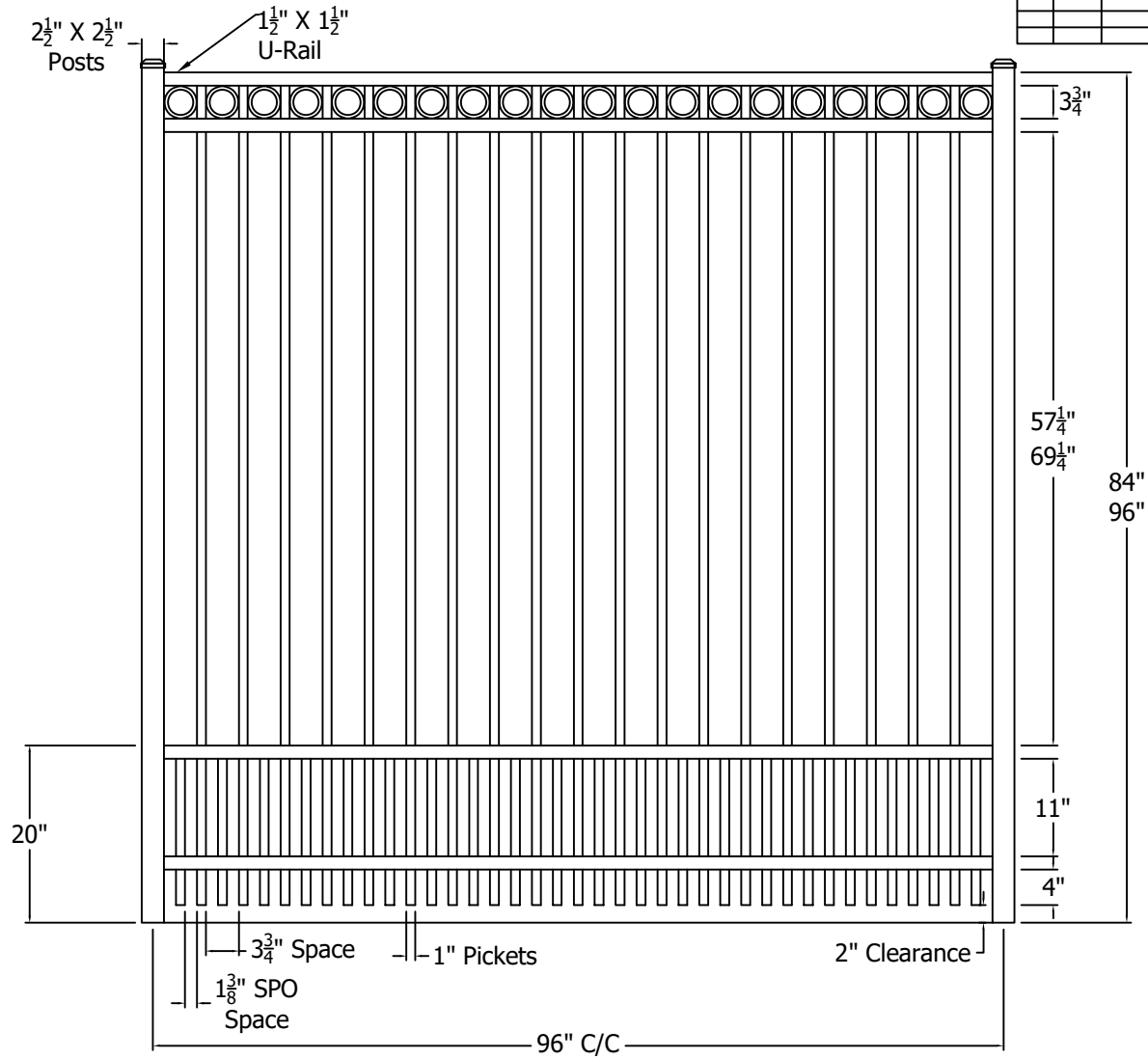
4

3

2

1

REV.	LOC.	REVISION	DATE





D

C

B

A

	 <p>Transforming the Outdoor Living Experience™</p> <p>3446 US 6 EAST Bremen, IN 46506 diggerspecialties.com</p>	DRAWN BY: EH DATE DRAWN: 06-02-2021	STYLE: <b>2240R Short Picket Option</b>
		SCALE = 1":1" DRAFT NO.: 20210602-1E	AS SHOWN: 96" W X 96" T LOC: Z:\Aluminum\CourtYard\2000 Series\Updated Standard Drawings
		REV. A	

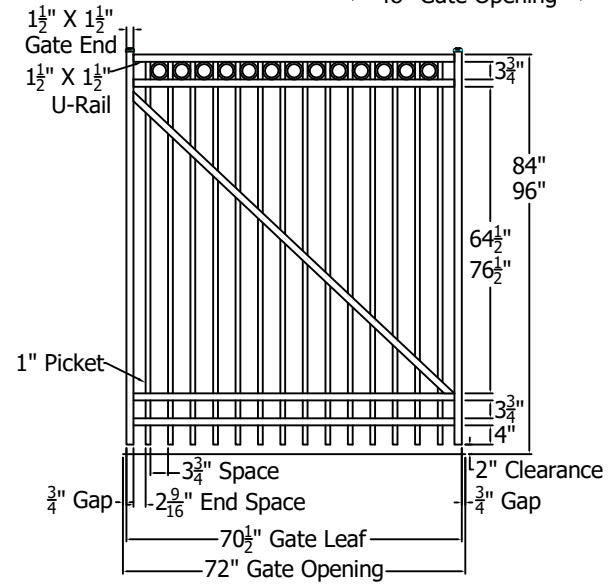
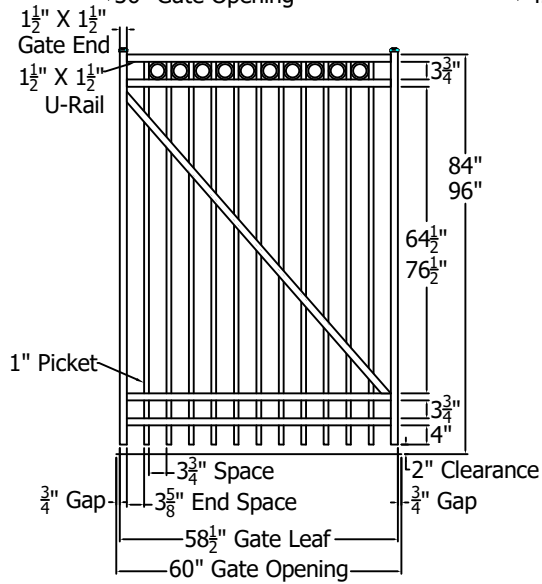
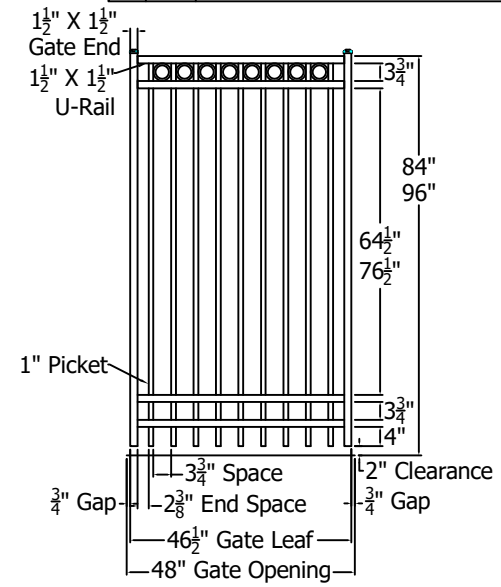
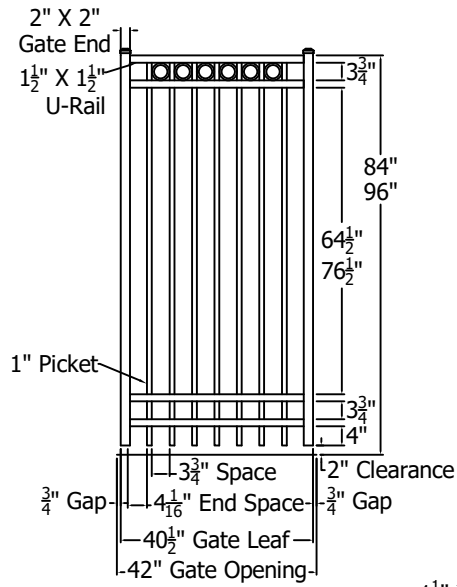
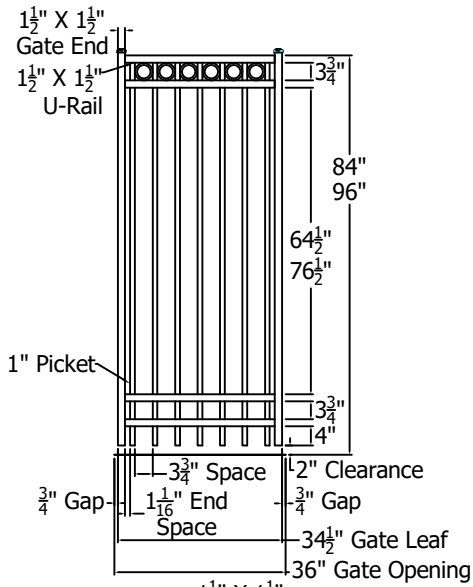
4



3

2

1

REV.	LOC.	REVISION	DATE



	 <p>3446 US 6 EAST Bremen, IN 46506 diggerspecialties.com</p>	DRAWN BY: EH	STYLE:
		DATE DRAWN: 06-02-2021	<b>2240R Standard Gates</b>
		SCALE = 1":1"	AS SHOWN: 84" T
		DRAFT NO.: 20210602-1E	LOC: Z:\Aluminum\CourtYard\2000 Series\Updated Standard Drawings
			REV. A

4

3

2

1

D

C

B

A