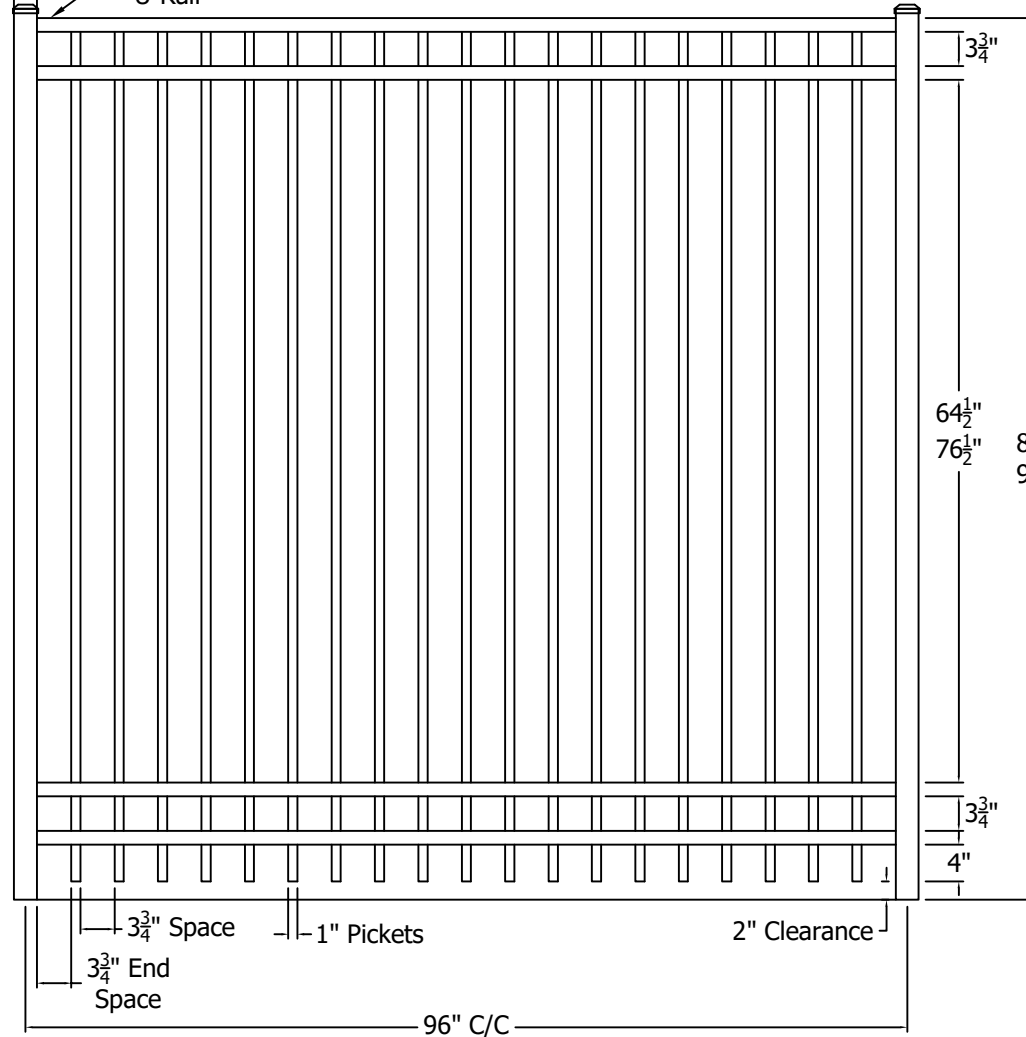


REV.	LOC.	REVISION	DATE

2½" X 2½"
Posts

1½" X 1½"
U-Rail



3¾"

64½"

76½"

84"

96"

3¾"

4"



3¾" Space

1" Pickets

2" Clearance

3¾" End
Space

96" C/C

	 <p>3446 US 6 EAST Bremen, IN 46506 diggerspecialties.com</p>	DRAWN BY: EH DATE DRAWN: 06-02-2021	STYLE: 2240
		SCALE = 1":1" DRAFT NO.: 20210602-1E	AS SHOWN: 96" W X 96" T LOC: Z:\Aluminum\CourtYard\2000 Series\Updated Standard Drawings
		REV. A	

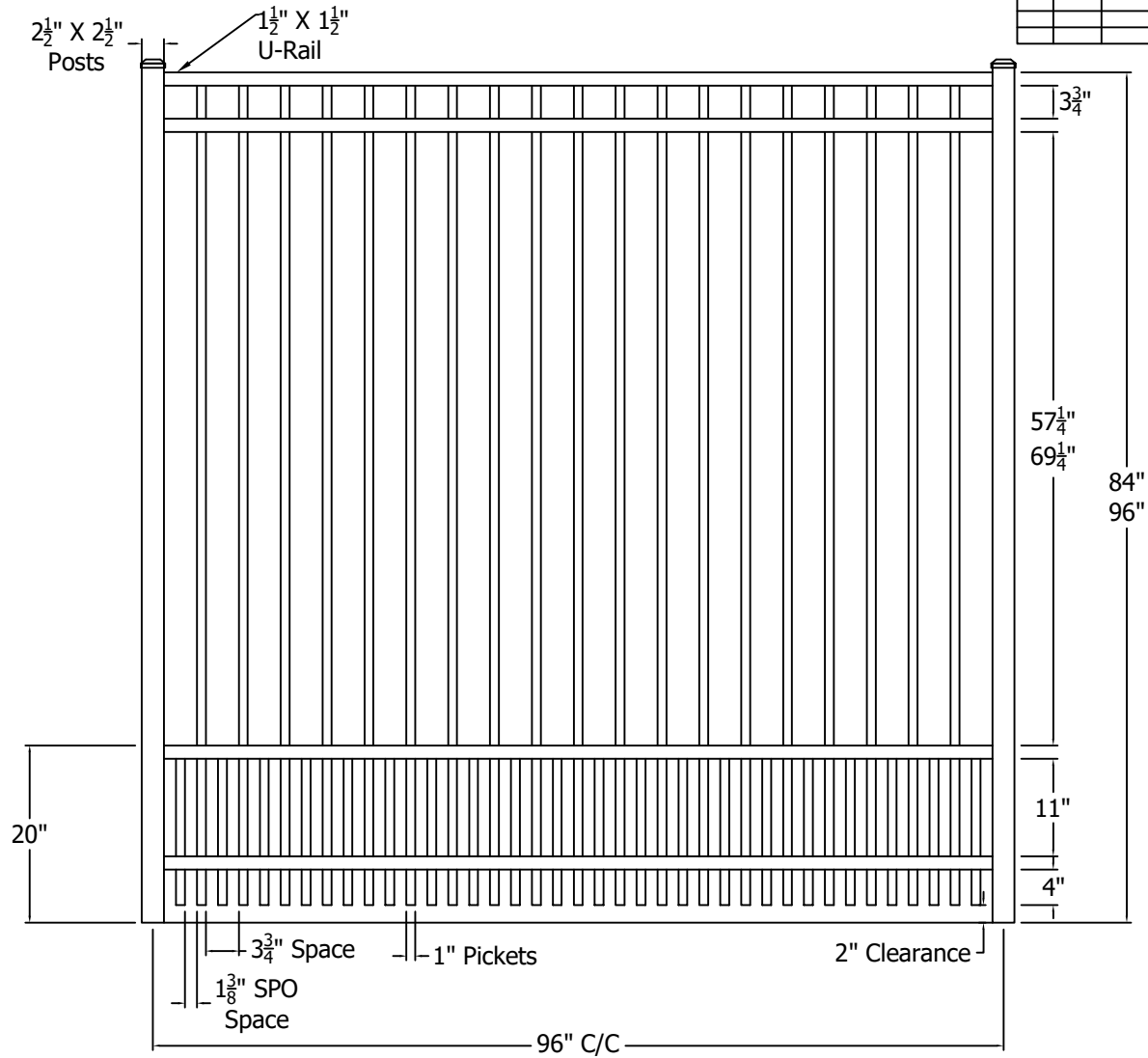
4

3

2

1

REV.	LOC.	REVISION	DATE





D

C

B

A

	 <p>3446 US 6 EAST Bremen, IN 46506 diggerspecialties.com</p>	DRAWN BY: EH DATE DRAWN: 06-02-2021	STYLE: 2240 Short Picket Option
		SCALE = 1":1" DRAFT NO.: 20210602-1E	AS SHOWN: 96" W X 96" T LOC: Z:\Aluminum\CourtYard\2000 Series\Updated Standard Drawings

4

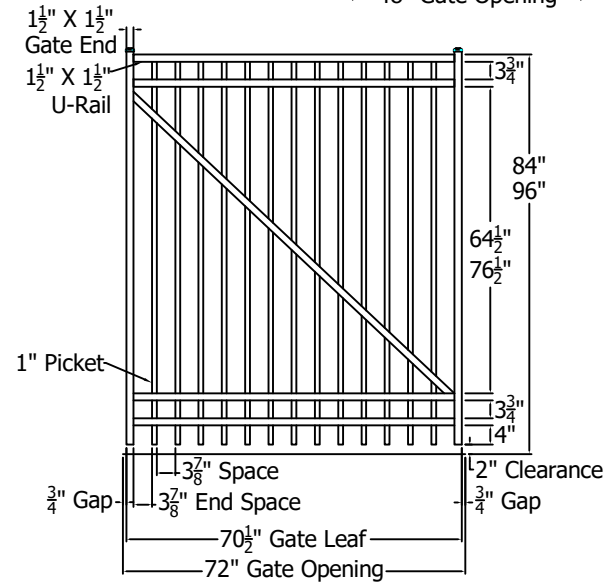
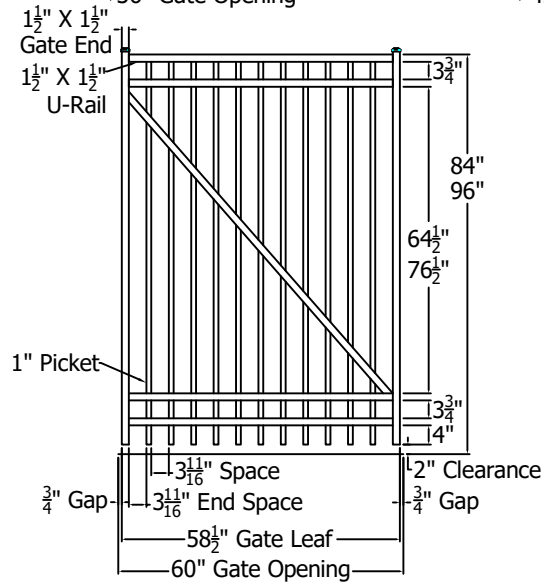
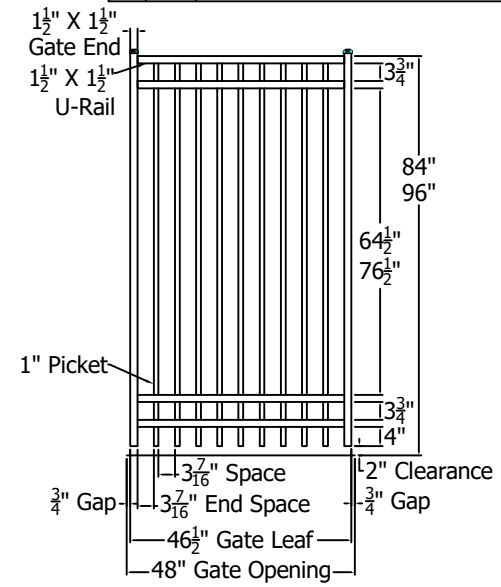
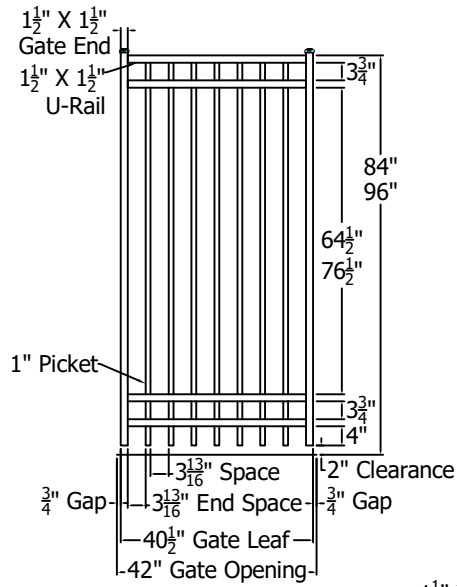
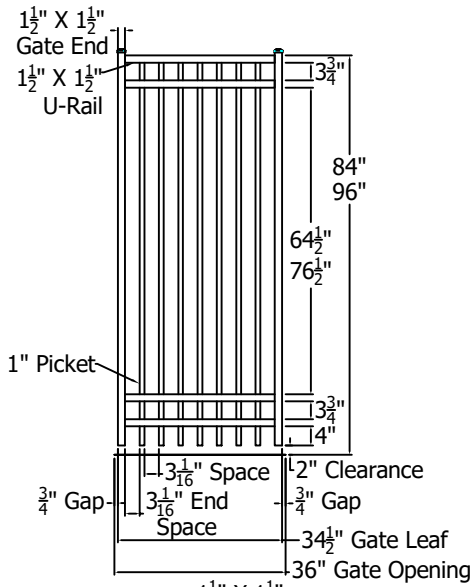
3



2

1

REV. A

REV.	LOC.	REVISION	DATE



	 DSI Digger Specialties Inc. <i>Transforming the Outdoor Living Experience™</i> 3446 US 6 EAST Bremen, IN 46506 diggerspecialties.com	DRAWN BY: EH DATE DRAWN: 06-02-2021	STYLE: 2240 Standard Gates
		SCALE = 1":1"	AS SHOWN: 84" T
		DRAFT NO.: 20210602-1E	LOC: Z:\Aluminum\CourtYard\2000 Series\Updated Standard Drawings
		REV. A	

4

3

2

1

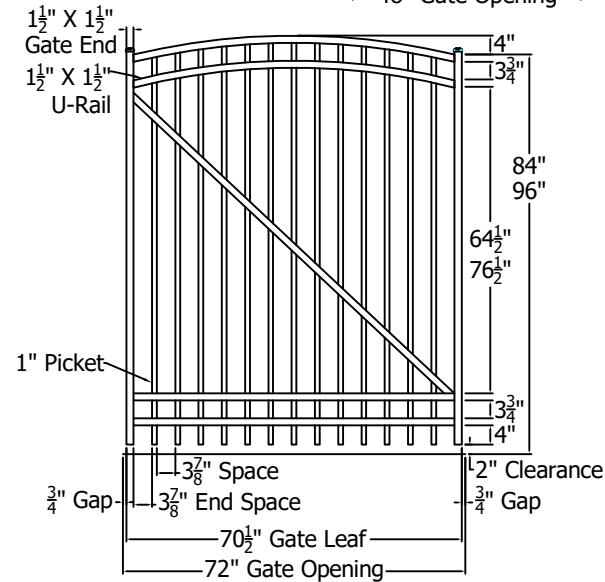
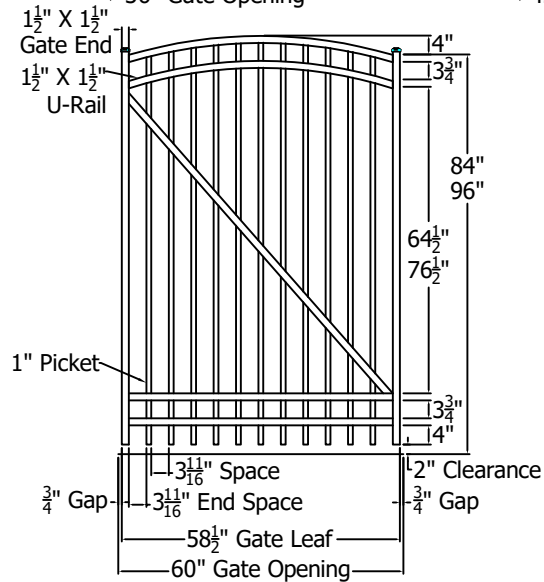
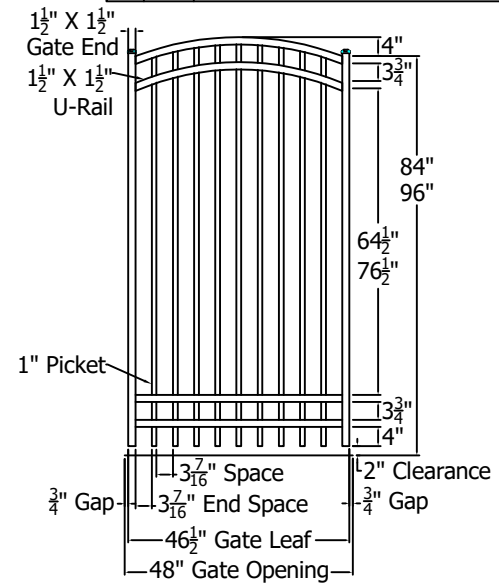
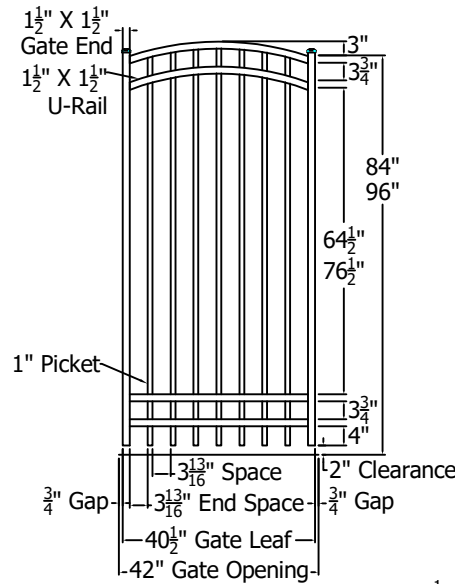
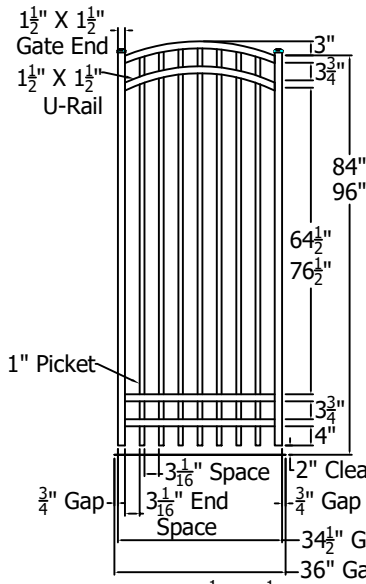
D

C

B

A

REV.	LOC.	REVISION	DATE





D

C

B

A

	 <p>3446 US 6 EAST Bremen, IN 46506 diggerspecialties.com</p>	DRAWN BY: EH DATE DRAWN: 06-02-2021	STYLE: 2240 Standard Gates Arched
		SCALE = 1"=1"	AS SHOWN: 84" T
		DRAFT NO.: 20210602-1E	LOC: Z:\Aluminum\CourtYard\2000 Series\Updated Standard Drawings
		REV. A	

4

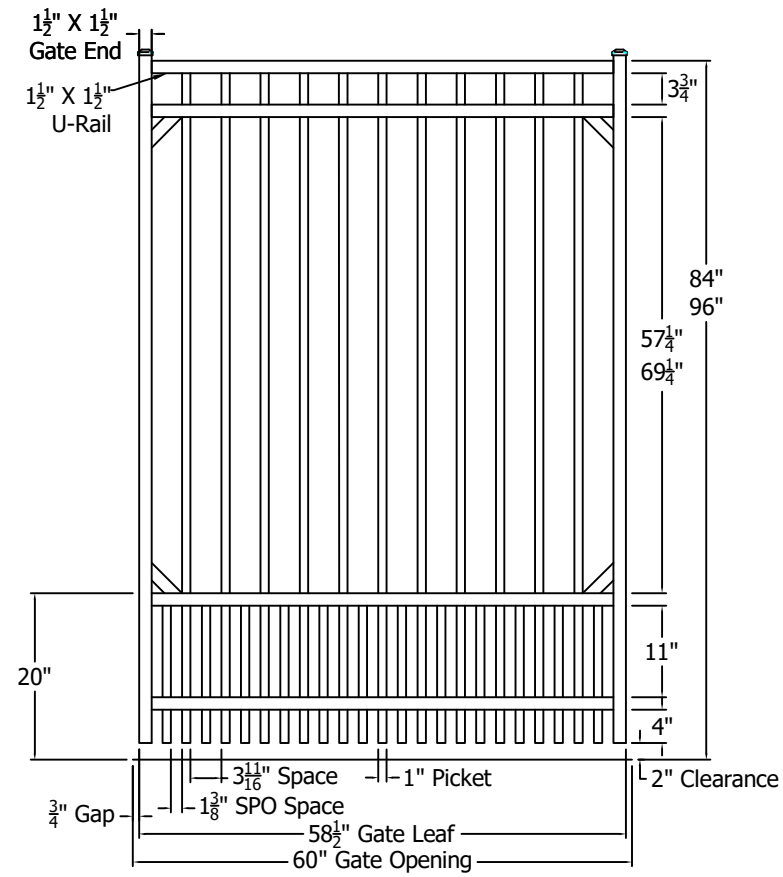
3



2

1

NOTE: Gusset Bracing Required On Gates Over 48" Wide

REV.	LOC.	REVISION	DATE



	 <p><i>Transforming the Outdoor Living Experience™</i></p> <p>3446 US 6 EAST Bremen, IN 46506 diggerspecialties.com</p>	DRAWN BY: EH	STYLE:
		DATE DRAWN: 06-02-2021	2240 Standard Gates SPO
		SCALE = 1":1"	AS SHOWN: 84" T
		DRAFT NO.: 20210602-1E	LOC: Z:\Aluminum\CourtYard\2000 Series\Updated Standard Drawings
		REV.	A

4

3

2

1

D

C

B

A