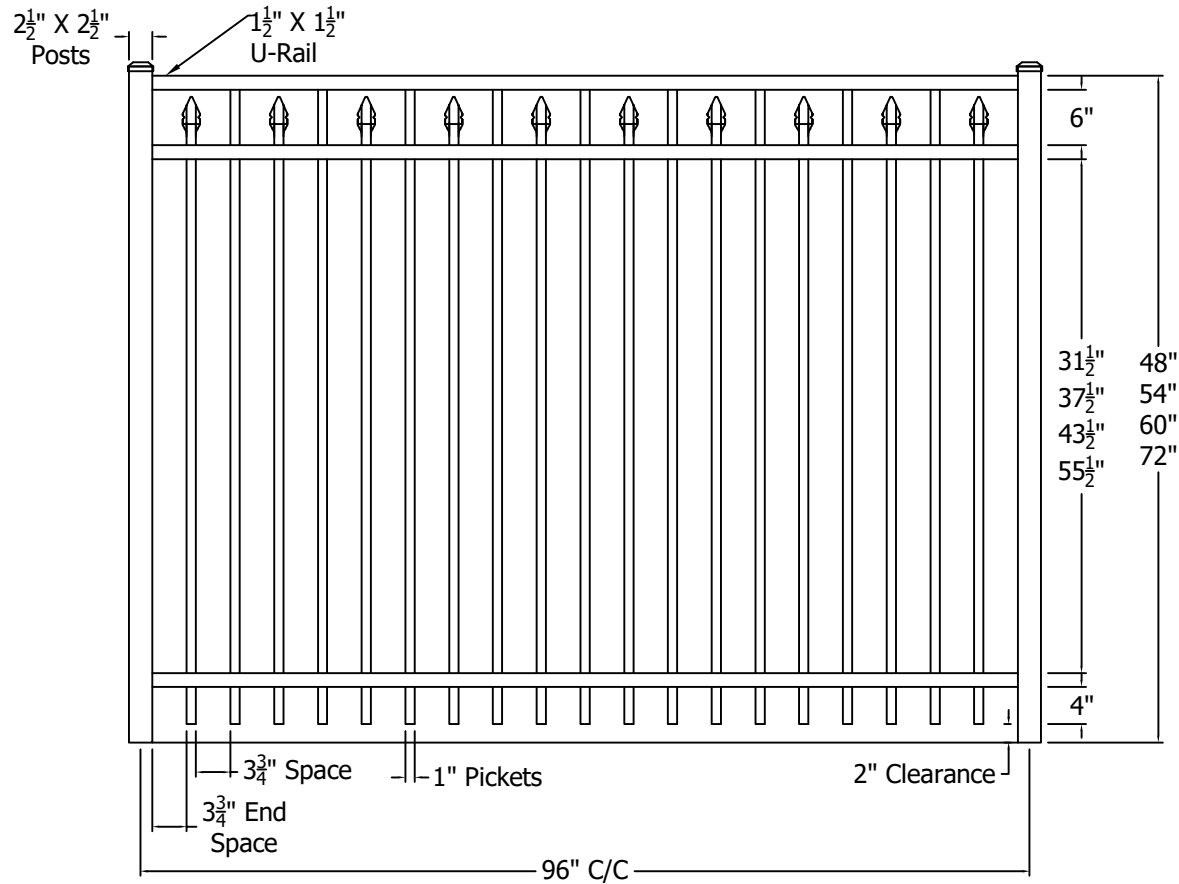







REV.	LOC.	REVISION	DATE



Finial Options	
 Quad	 Triad
 Fleur-de-lis	

	 <i>Transforming the Outdoor Living Experience™</i> 3446 US 6 EAST Bremen, IN 46506 diggerspecialties.com	DRAWN BY: EH DATE DRAWN: 08-19-2021	STYLE: 2233
		SCALE = 1":1"	AS SHOWN: 96" W X 72" T
DRAFT NO.: 20210819-1E		LOC: Z:\Aluminum\CourtYard\2000 Series\Updated Standard Drawings	REV. A

4

3

2

1

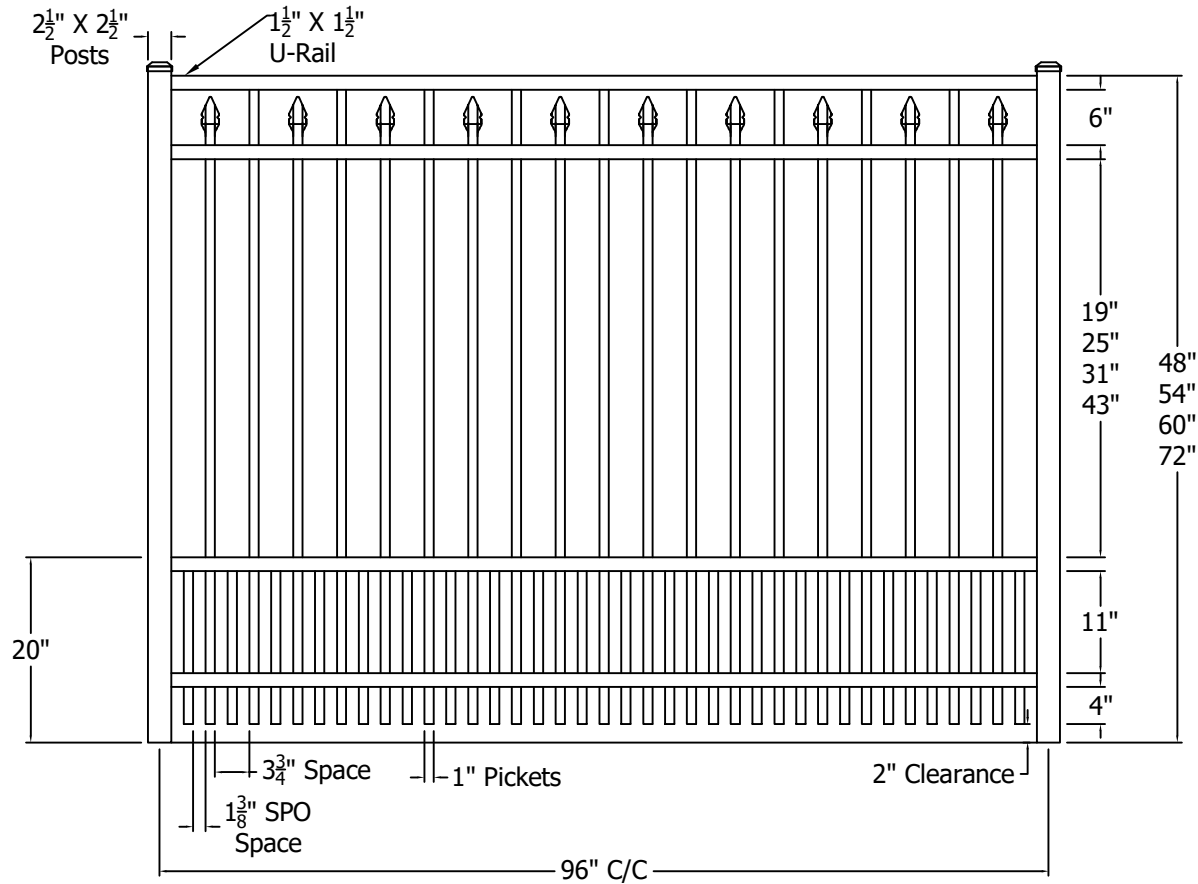
D




C



B

A

REV.	LOC.	REVISION	DATE



Finial Options	
 Quad	 Triad
 Fleur-de-lis	

	 <i>Transforming the Outdoor Living Experience™</i> 3446 US 6 EAST Bremen, IN 46506 diggerspecialties.com	DRAWN BY: EH DATE DRAWN: 08-19-2021	STYLE: 2233 Short Picket Option
		SCALE = 1":1"	AS SHOWN: 96" W X 72" T
		DRAFT NO.: 20210819-1E	LOC: Z:\Aluminum\CourtYard\2000 Series\Updated Standard Drawings REV. A

4

3

2

1

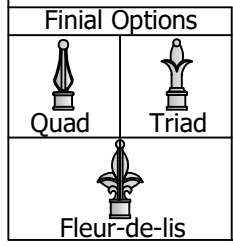
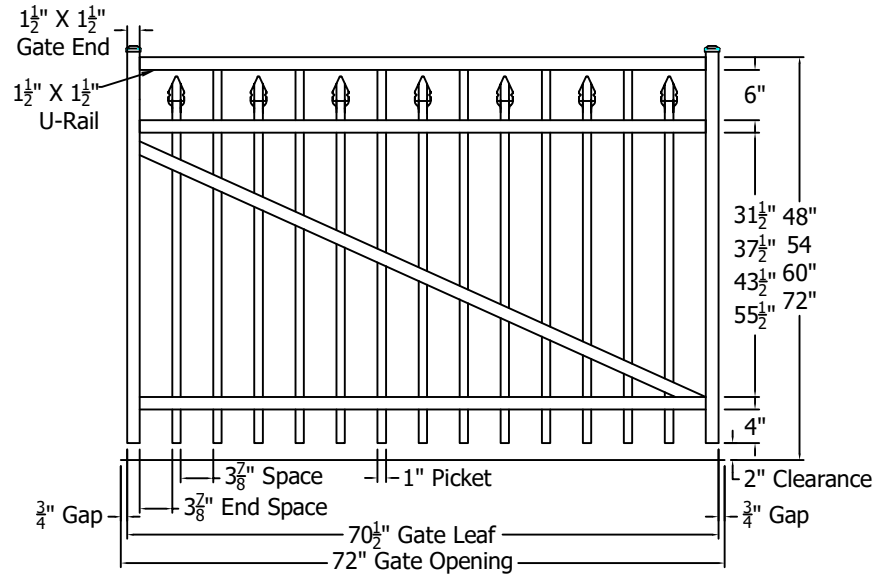
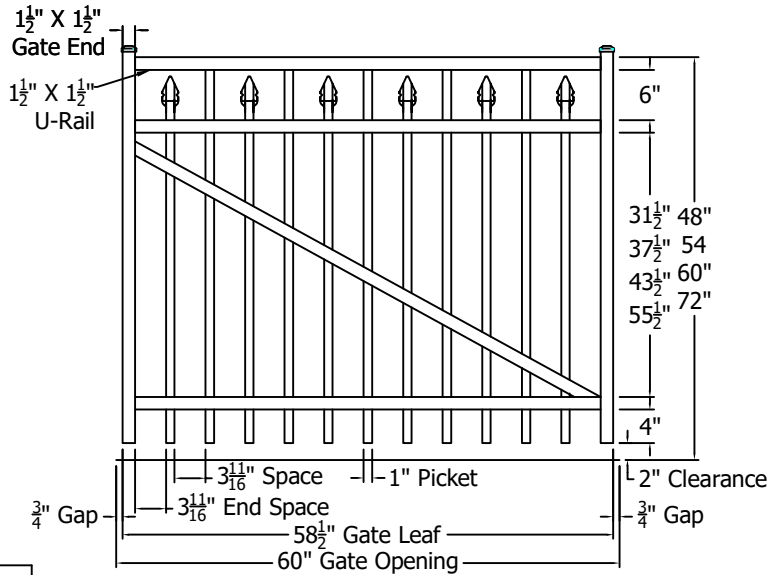
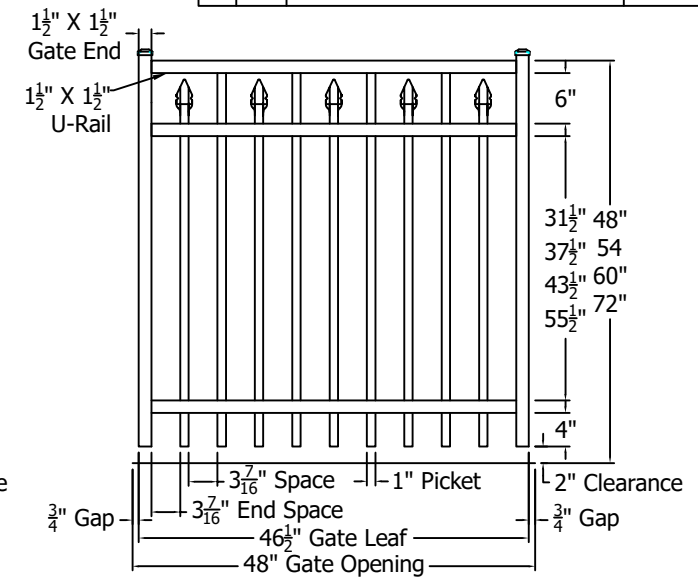
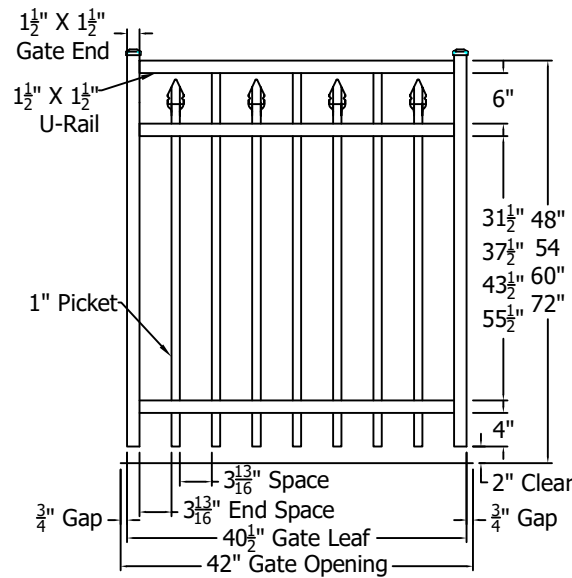
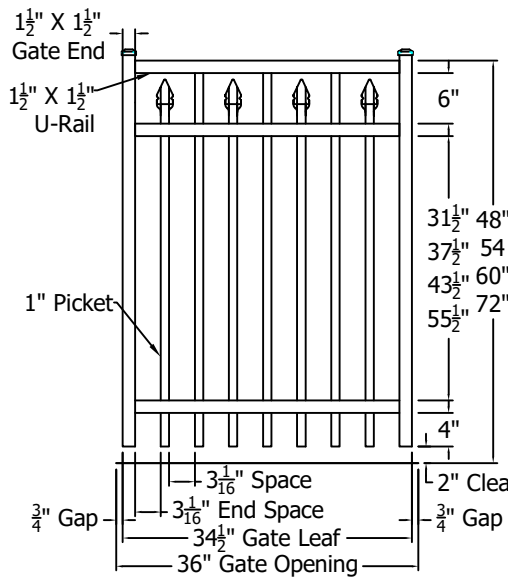
D

C

B

A

REV.	LOC.	REVISION	DATE



	<p>Transforming the Outdoor Living Experience™</p> <p>3446 US 6 EAST Bremen, IN 46506 diggerspecialties.com</p>	DRAWN BY: EH	STYLE:
		DATE DRAWN: 08-19-2021	2233 Standard Gates
		SCALE = 1":1"	AS SHOWN: 48" T
		DRAFT NO.: 20210819-1E	LOC: Z:\Aluminum\CourtYard\2000 Series\Updated Standard Drawings
			REV. A

4

3

2

1

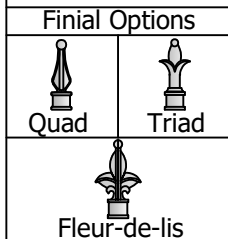
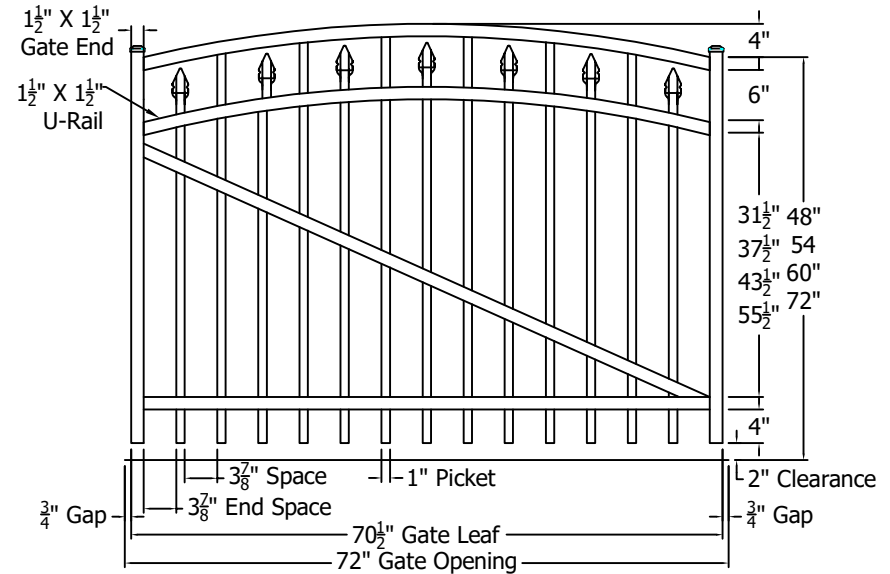
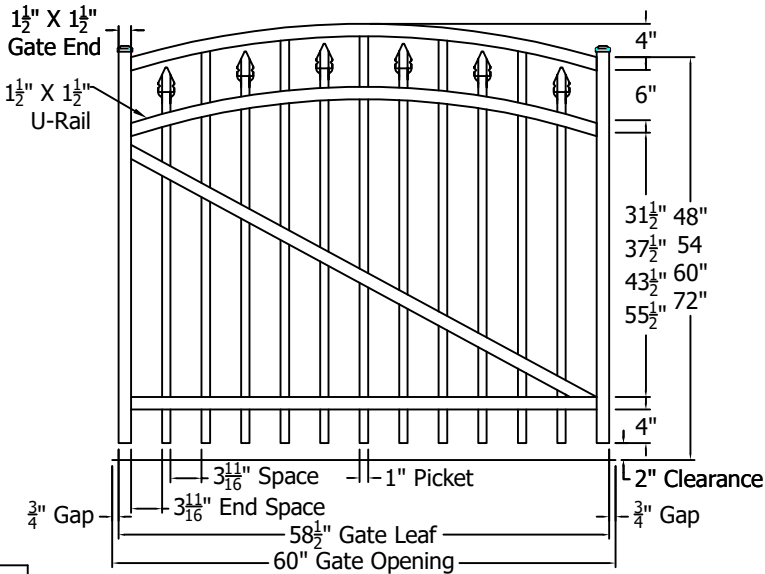
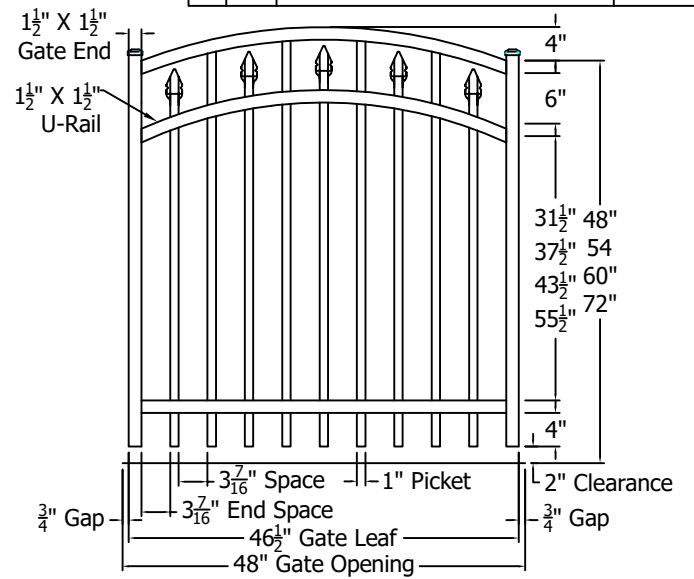
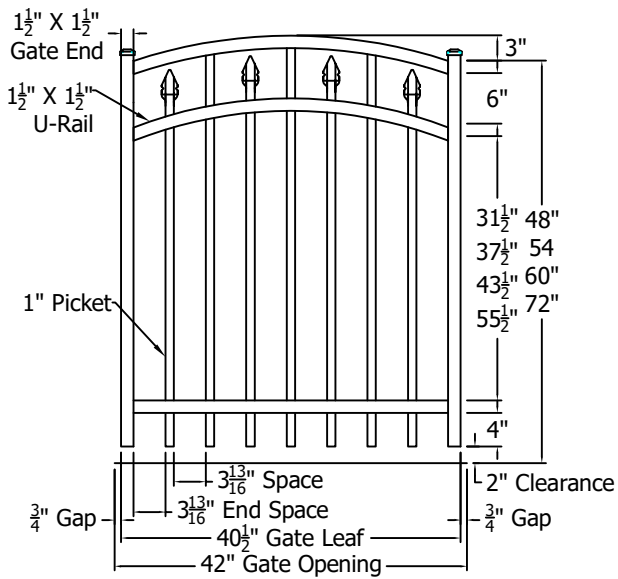
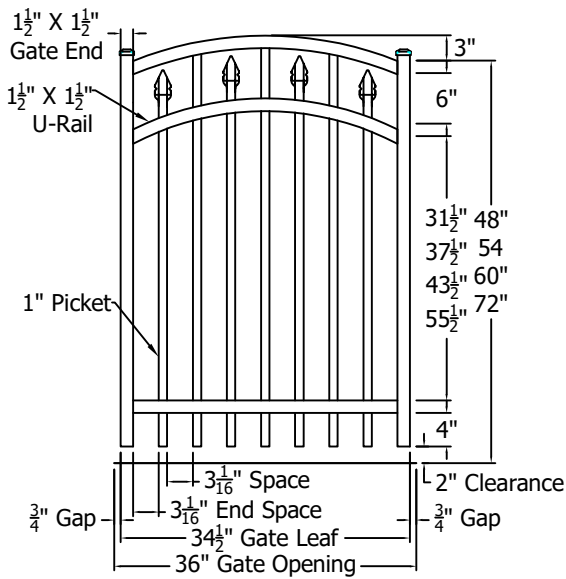
D

C

B

A

REV.	LOC.	REVISION	DATE



	<p>Transforming the Outdoor Living Experience™</p> <p>3446 US 6 EAST Bremen, IN 46506 diggerspecialties.com</p>	DRAWN BY: EH	STYLE:
		DATE DRAWN: 08-19-2021	2233 Standard Gates
		SCALE = 1":1"	AS SHOWN: 48" T
		DRAFT NO.: 20210819-1E	LOC: Z:\Aluminum\CourtYard\2000 Series\Updated Standard Drawings
			REV. A

4

3

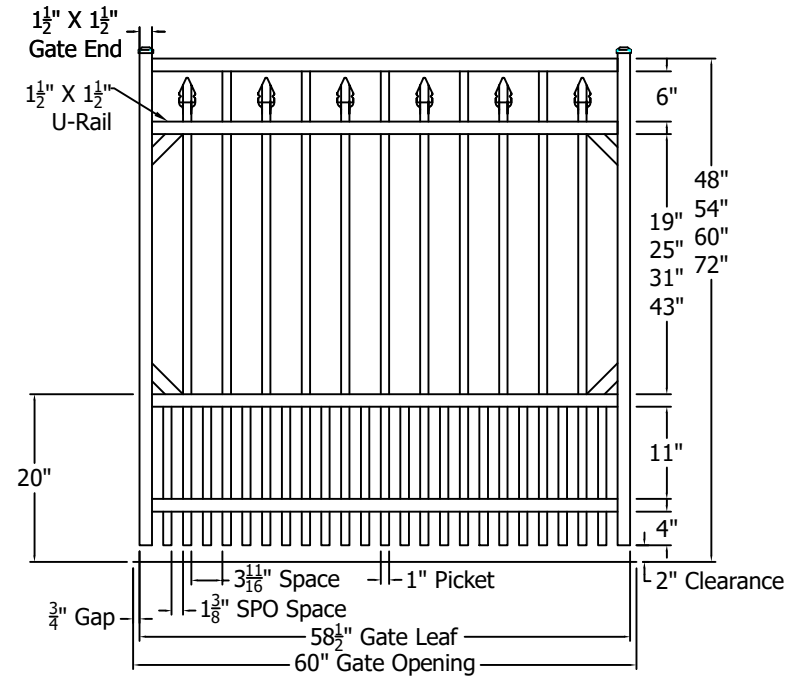
2




1



D
C
B
A

NOTE: Gusset Bracing Required On Gates Over 48" Wide

REV.	LOC.	REVISION	DATE



Finial Options	
 Quad	 Triad
 Fleur-de-lis	

	 Transforming the Outdoor Living Experience™ 3446 US 6 EAST Bremen, IN 46506 diggerspecialties.com	DRAWN BY: EH	STYLE:
		DATE DRAWN: 08-19-2021	2233 Standard Gates SPO
		SCALE = 1":1"	AS SHOWN: 48" T
DRAFT NO.: 20210819-1E		LOC: Z:\Aluminum\CourtYard\2000 Series\Updated Standard Drawings	REV. A

4

3

2

1

D

C

B

A