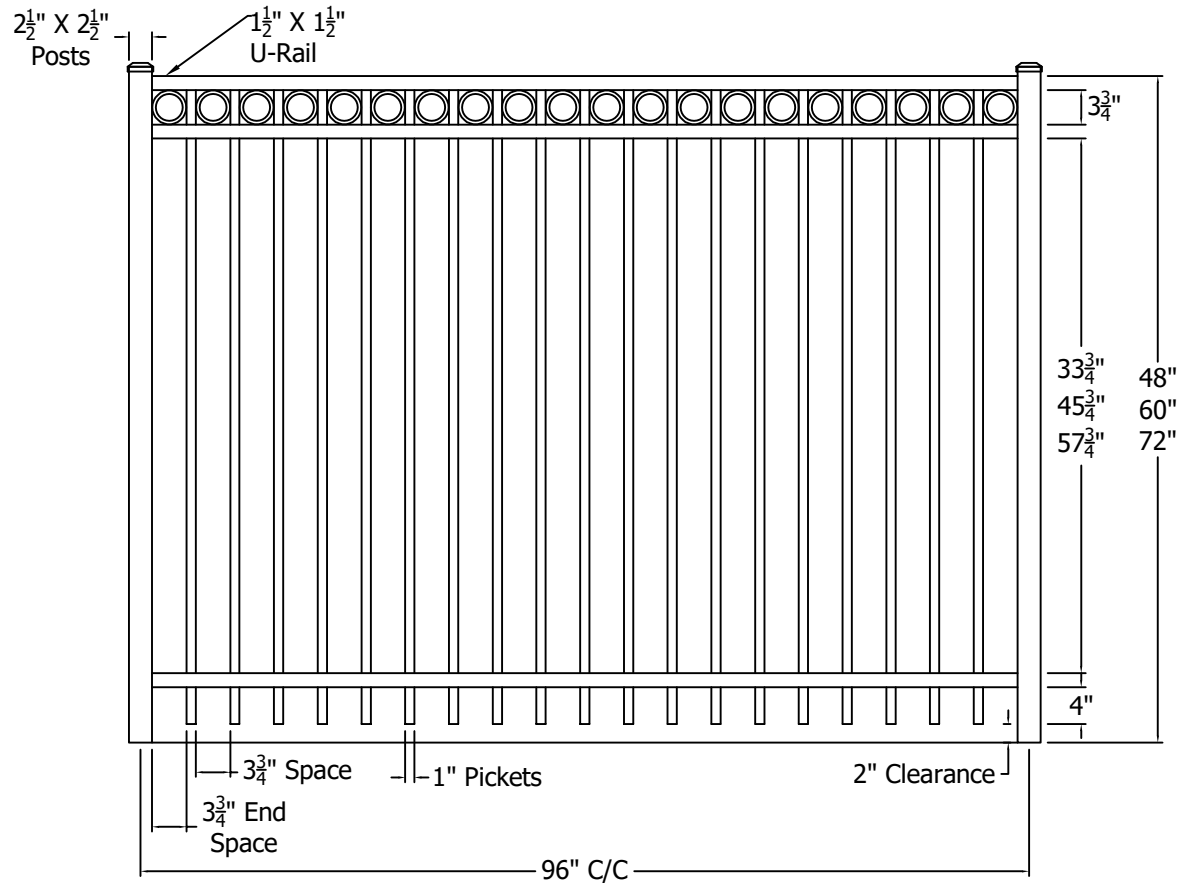




REV.	LOC.	REVISION	DATE



	 <p><i>Transforming the Outdoor Living Experience™</i></p> <p>3446 US 6 EAST Bremen, IN 46506 diggerspecialties.com</p>	DRAWN BY: EH DATE DRAWN: 08-19-2021	STYLE: <b>2230R</b>
		SCALE = 1":1"	AS SHOWN: 96" W X 72" T
DRAFT NO.: 20210819-1E		LOC: Z:\Aluminum\CourtYard\2000 Series\Updated Standard Drawings	REV. <b>A</b>

4

3

2

1

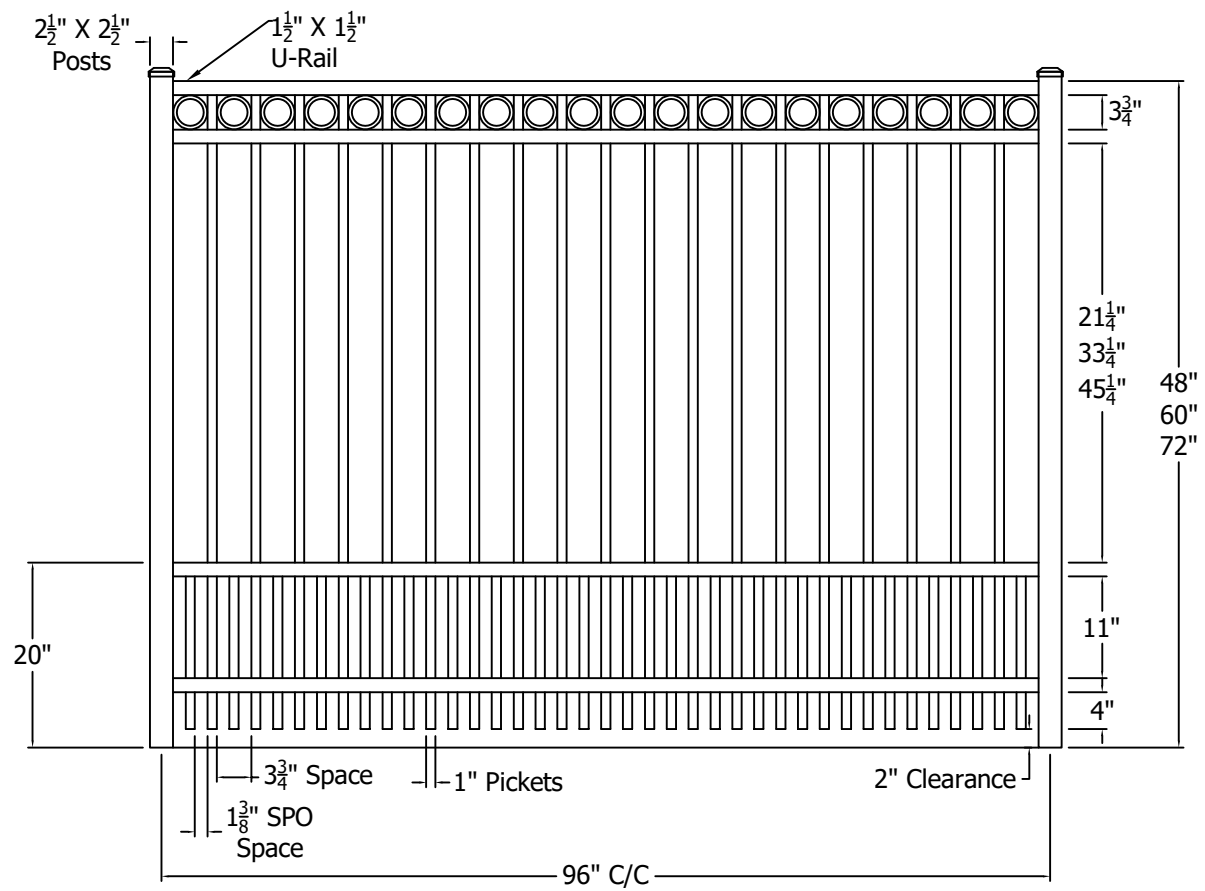
D



C

B

A

REV.	LOC.	REVISION	DATE



	 <i>Transforming the Outdoor Living Experience™</i> 3446 US 6 EAST Bremen, IN 46506 diggerspecialties.com	DRAWN BY: EH DATE DRAWN: 08-19-2021	STYLE: <b>2230R Short Picket Option</b>
		SCALE = 1":1"	AS SHOWN: 96" W X 72" T
DRAFT NO.: 20210819-1E		LOC: Z:\Aluminum\CourtYard\2000 Series\Updated Standard Drawings	REV. <b>A</b>

4

3

2

1

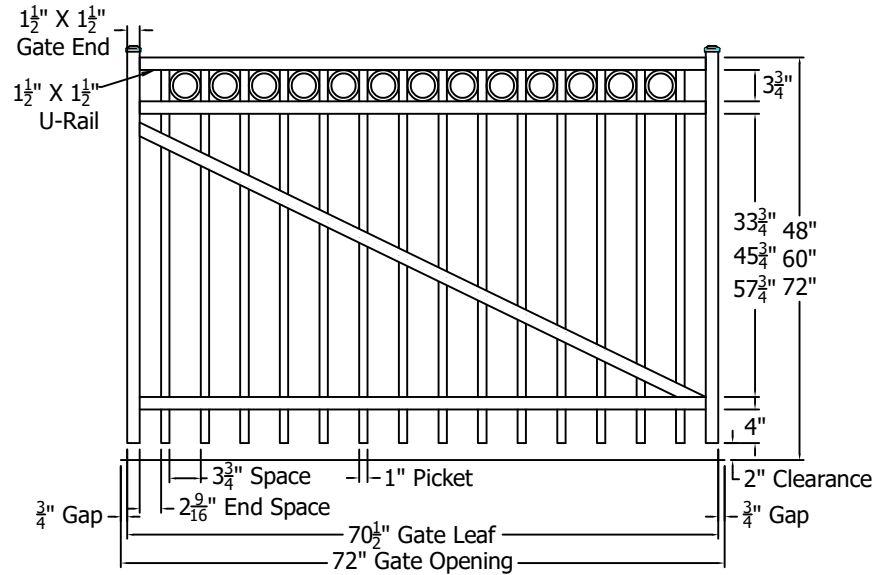
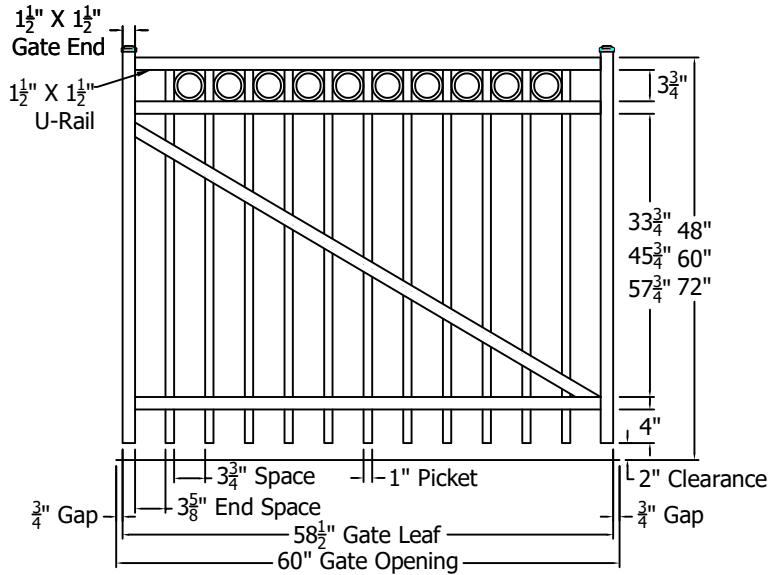
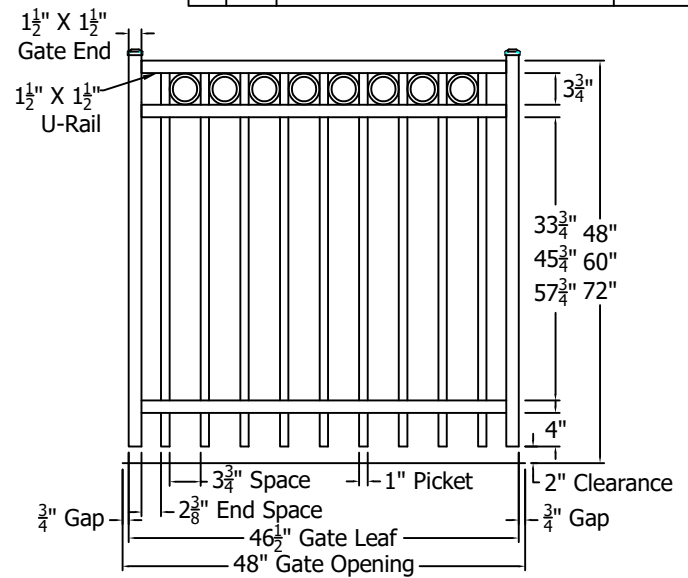
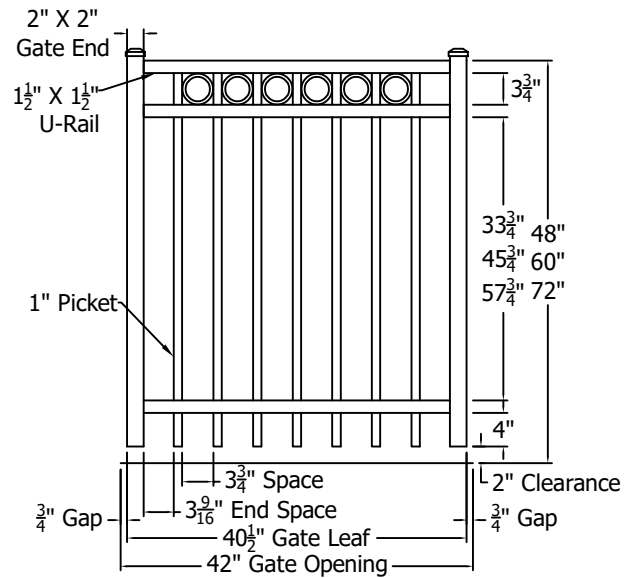
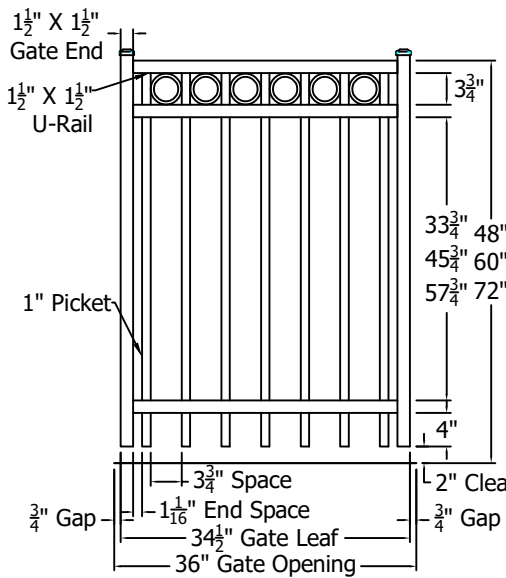
D



C

B

A

REV.	LOC.	REVISION	DATE



	 <p>Transforming the Outdoor Living Experience™</p> <p>3446 US 6 EAST Bremen, IN 46506 diggerspecialties.com</p>	DRAWN BY: EH	STYLE:
		DATE DRAWN: 08-19-2021	<b>2230R Standard Gates</b>
		SCALE = 1":1"	AS SHOWN: 48" T
		DRAFT NO.: 20210819-1E	LOC: Z:\Aluminum\CourtYard\2000 Series\Updated Standard Drawings