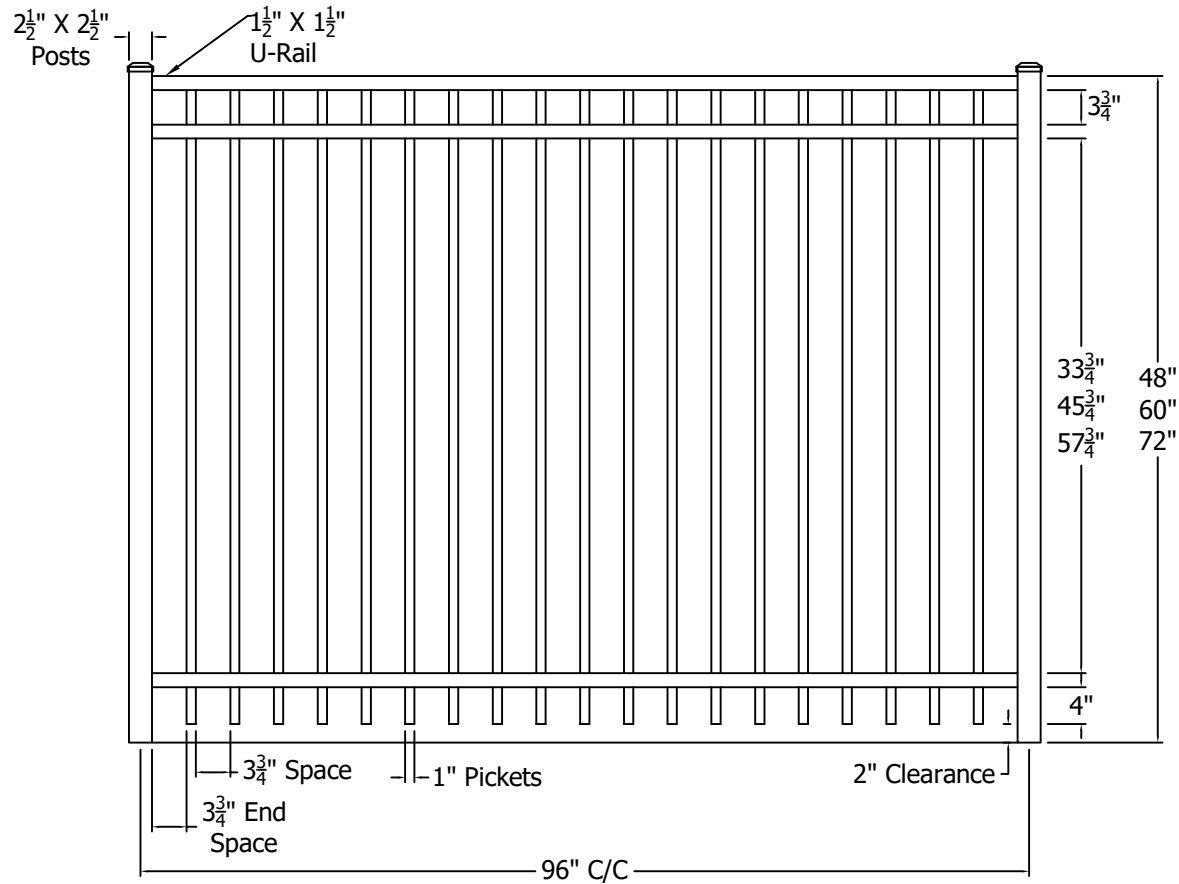




REV.	LOC.	REVISION	DATE



	 <p><i>Transforming the Outdoor Living Experience™</i></p> <p>3446 US 6 EAST Bremen, IN 46506 diggerspecialties.com</p>	DRAWN BY: EH	STYLE:	2230	REV. A
		DATE DRAWN: 08-19-2021			
		SCALE = 1":1"	AS SHOWN: 96" W X 72" T		
		DRAFT NO.: 20210819-1E	LOC: Z:\Aluminum\CourtYard\2000 Series\Updated Standard Drawings		

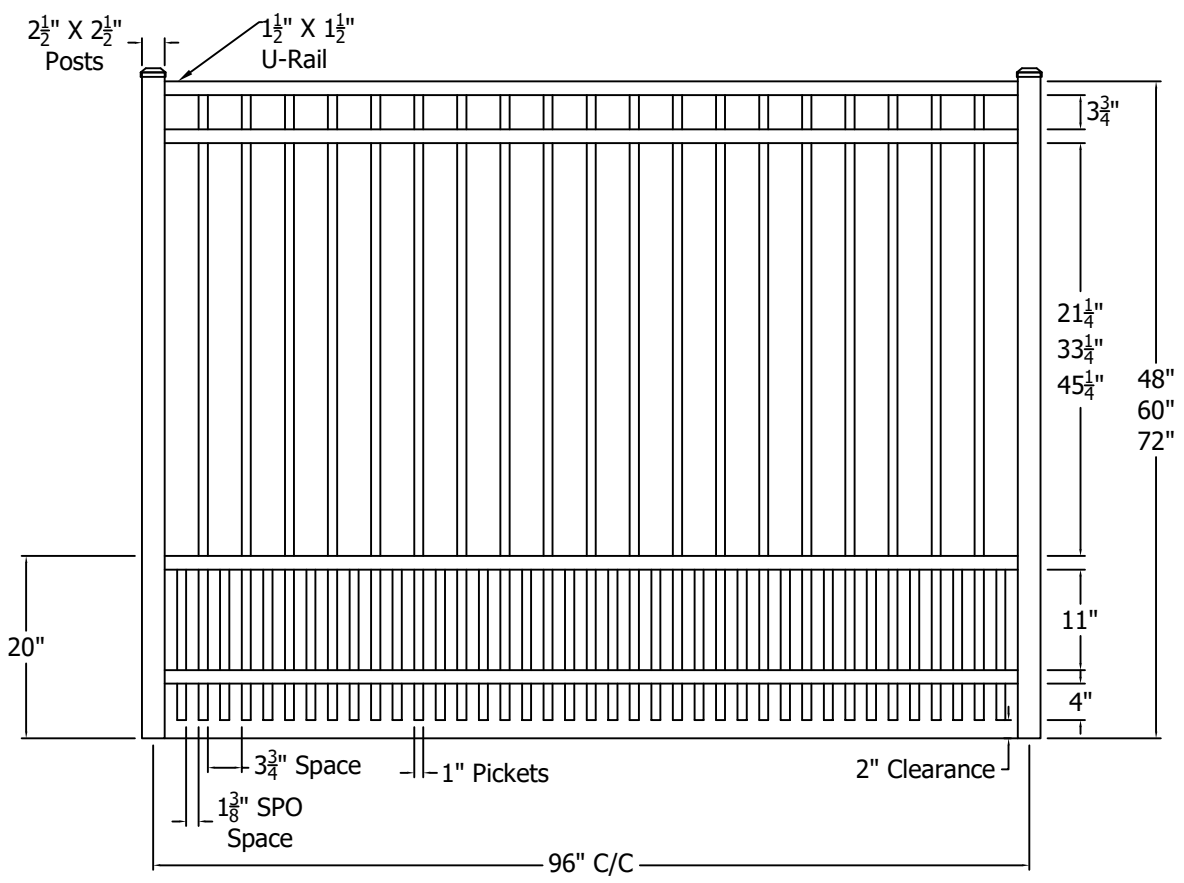
4



3

2

1

REV.	LOC.	REVISION	DATE



	 <i>Transforming the Outdoor Living Experience™</i> 3446 US 6 EAST Bremen, IN 46506 diggerspecialties.com	DRAWN BY: EH	STYLE: 2230 Short Picket Option
		DATE DRAWN: 08-19-2021	
		SCALE = 1":1"	LOC: Z:\Aluminum\CourtYard\2000 Series\Updated Standard Drawings
		DRAFT NO.: 20210819-1E	REV. A

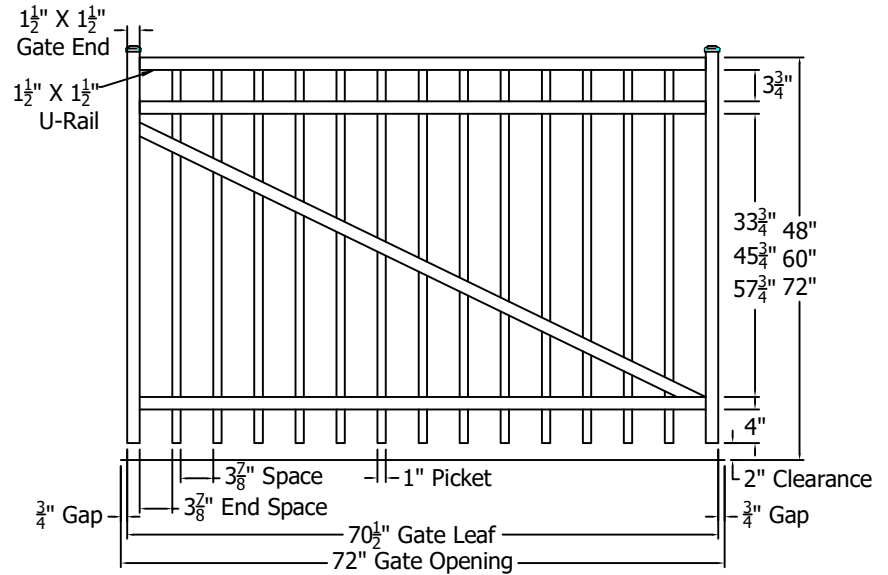
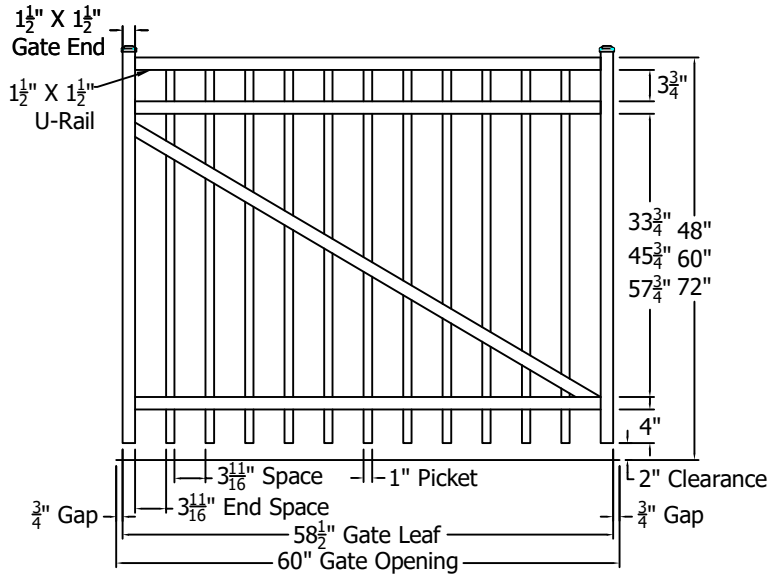
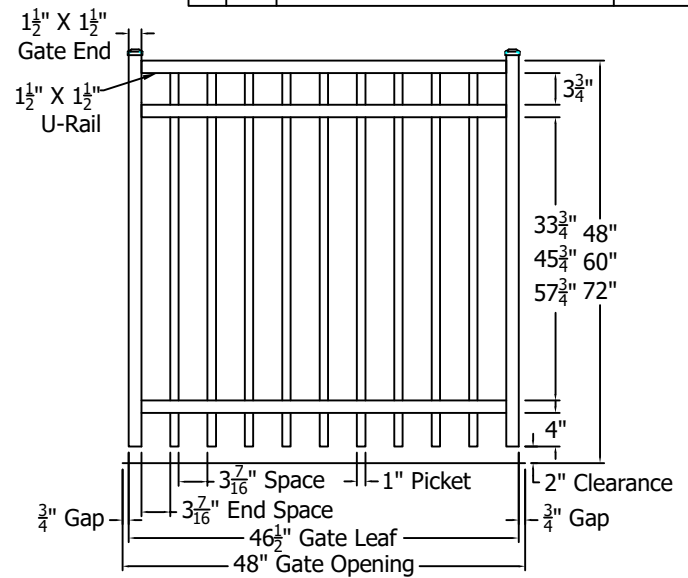
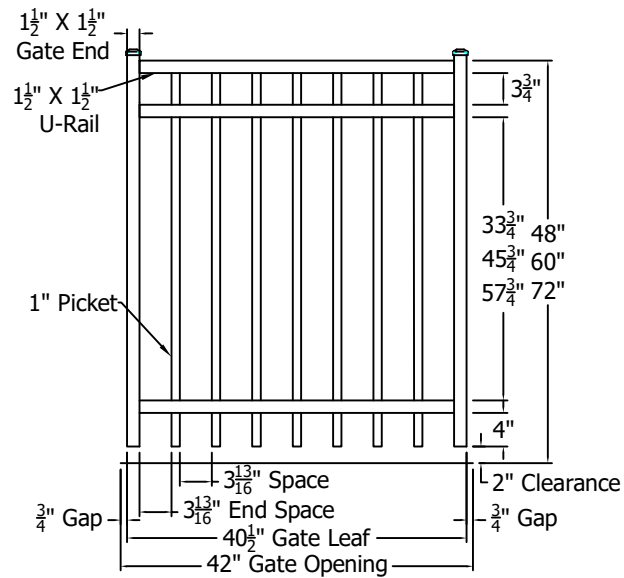
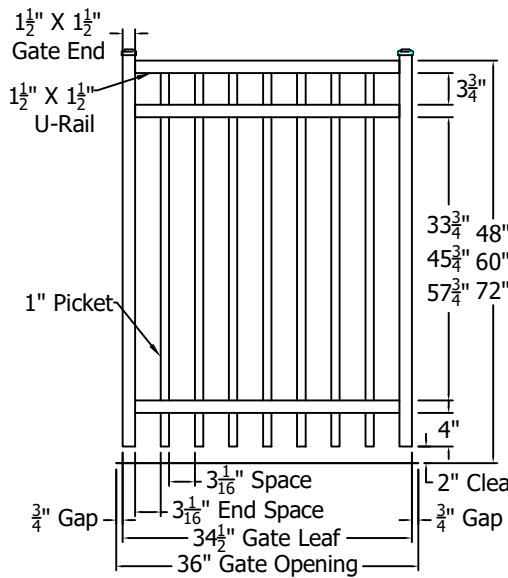
4



3

2

1

REV.	LOC.	REVISION	DATE



	 DSI Digger Specialties Inc. <i>Transforming the Outdoor Living Experience™</i>	DRAWN BY: EH	STYLE:
		DATE DRAWN: 08-19-2021	2230 Standard Gates
		SCALE = 1":1"	AS SHOWN: 48" T
		DRAFT NO.: 20210819-1E	LOC: Z:\Aluminum\CourtYard\2000 Series\Updated Standard Drawings
	3446 US 6 EAST Bremen, IN 46506 diggerspecialties.com		REV. A

4

3

2

1

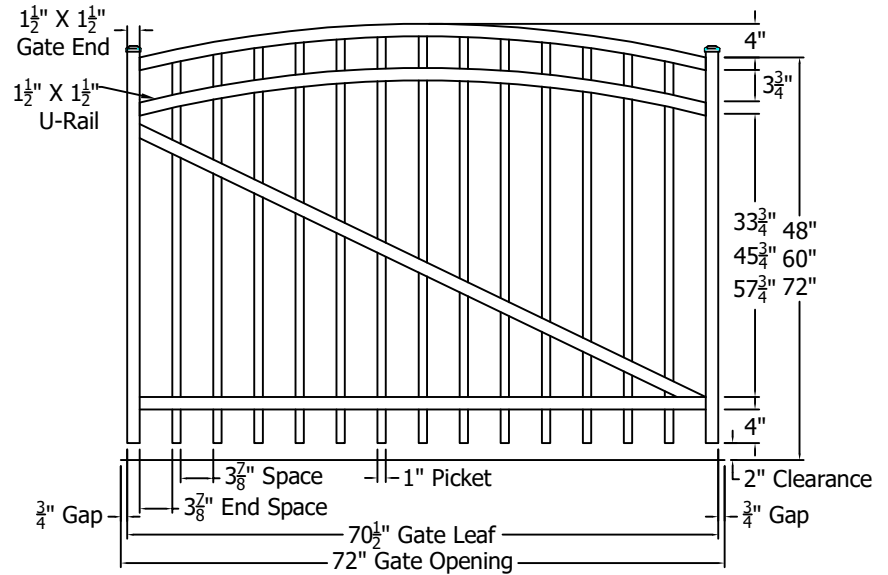
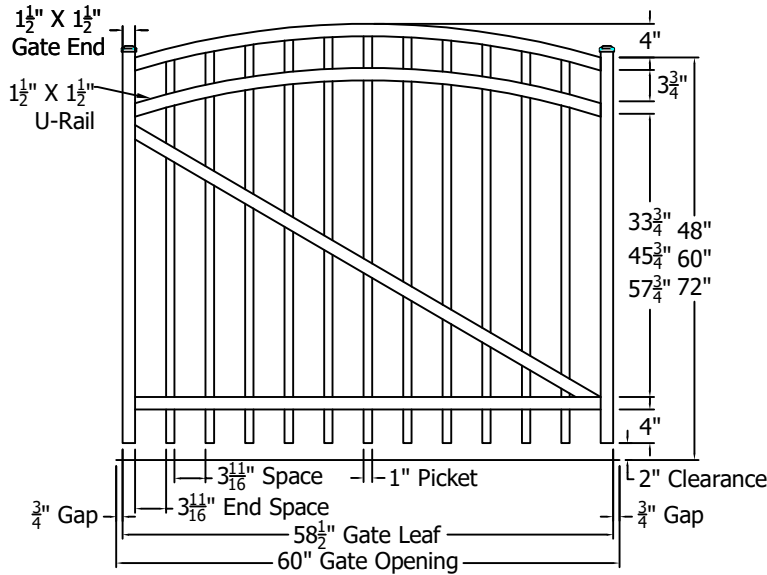
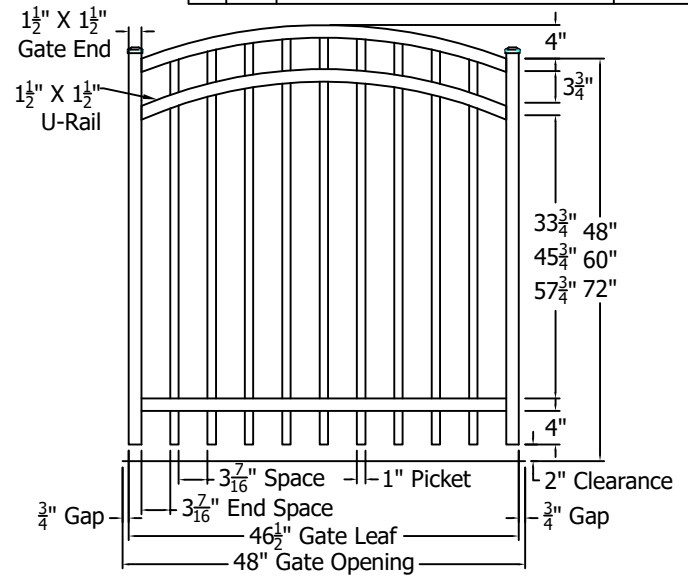
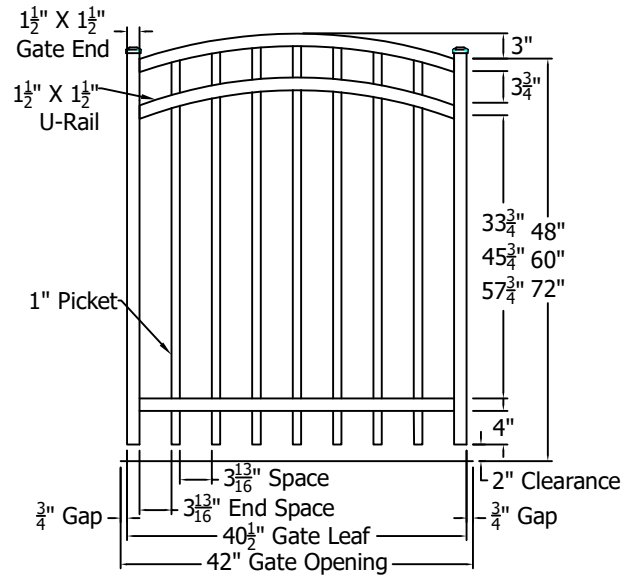
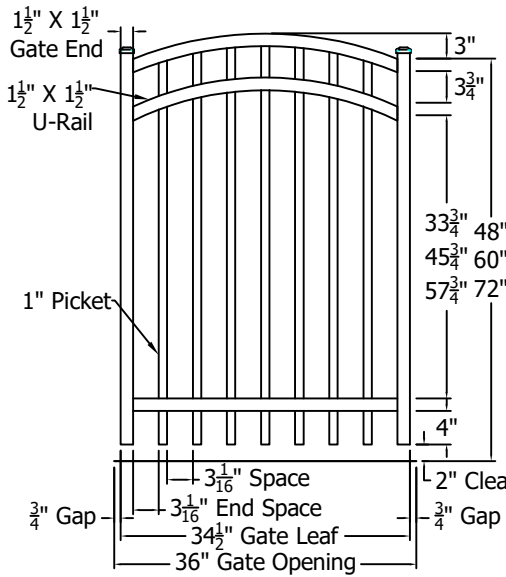
D



C

B

A

REV.	LOC.	REVISION	DATE



	 <p>Transforming the Outdoor Living Experience™</p> <p>3446 US 6 EAST Bremen, IN 46506 diggerspecialties.com</p>	DRAWN BY: EH	STYLE:
		DATE DRAWN: 08-19-2021	2230 Standard Gates
		SCALE = 1":1"	AS SHOWN: 48" T
		DRAFT NO.: 20210819-1E	LOC: Z:\Aluminum\CourtYard\2000 Series\Updated Standard Drawings
			REV. A

4

3

2

1

D

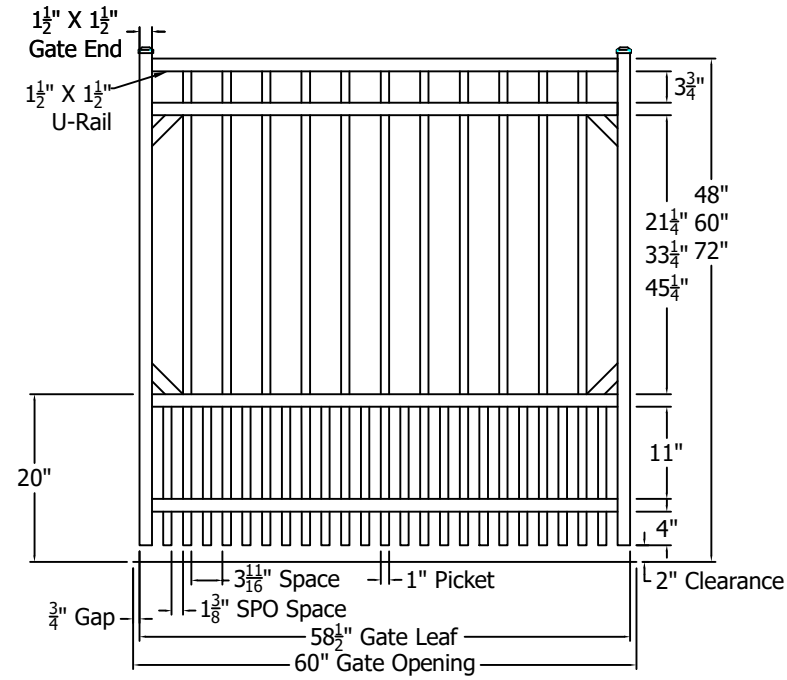
C



B

A

NOTE: Gusset Bracing Required On Gates Over 48" Wide

REV.	LOC.	REVISION	DATE



	 <p><i>Transforming the Outdoor Living Experience™</i></p> <p>3446 US 6 EAST Bremen, IN 46506 diggerspecialties.com</p>	DRAWN BY: EH	STYLE:
		DATE DRAWN: 08-19-2021	2230 Standard Gates SPO
		SCALE = 1":1"	AS SHOWN: 48" T
		DRAFT NO.: 20210819-1E	LOC: Z:\Aluminum\CourtYard\2000 Series\Updated Standard Drawings
			REV. A

4

3

2

1

D
C
B
A