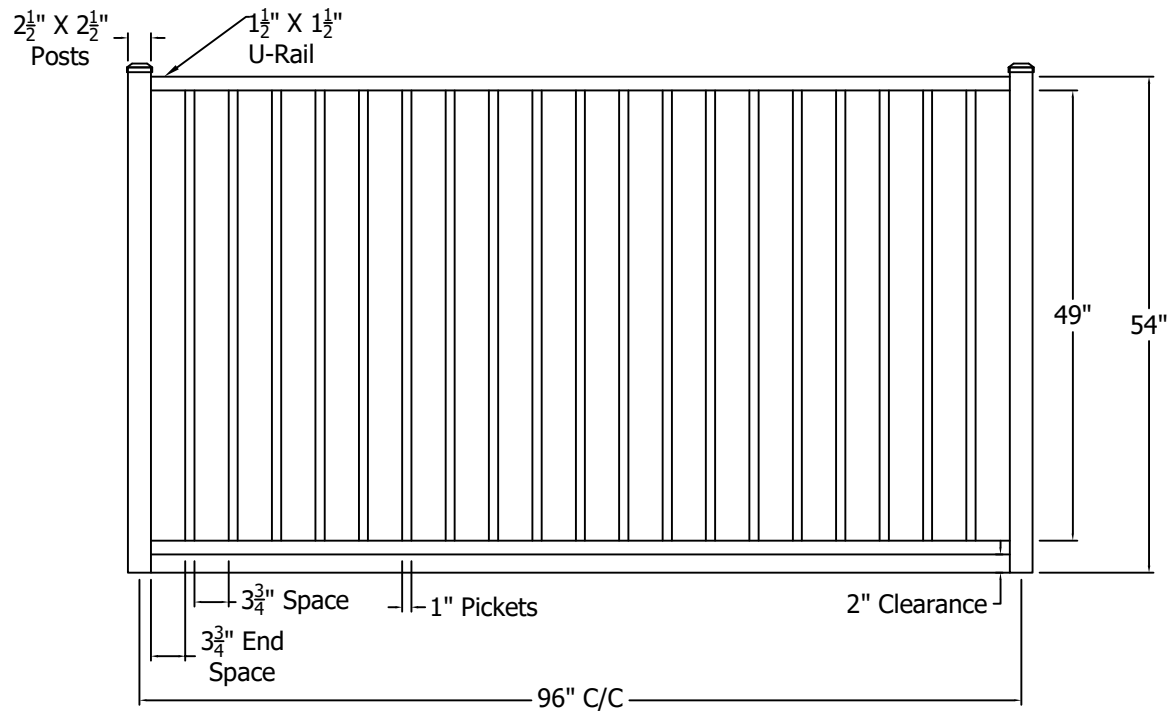


REV.	LOC.	REVISION	DATE



Complies With ASTM
F2409 And F1908
For Height And Spacing



DRAWN BY: EH
DATE DRAWN:
06-02-2021
SCALE = 1":1"
DRAFT NO.:
20210602-1E

STYLE:
2220
AS SHOWN: 96" W X 54" T
LOC: Z:\Aluminum\CourtYard\2000 Series\Updated Standard Drawings
REV.
A

4

3

2

1

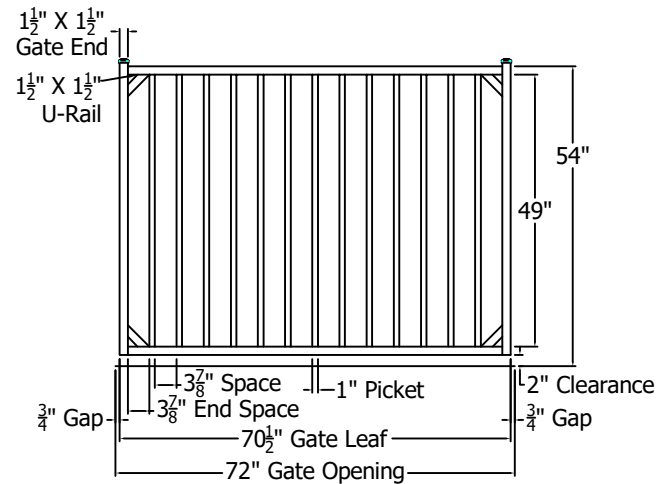
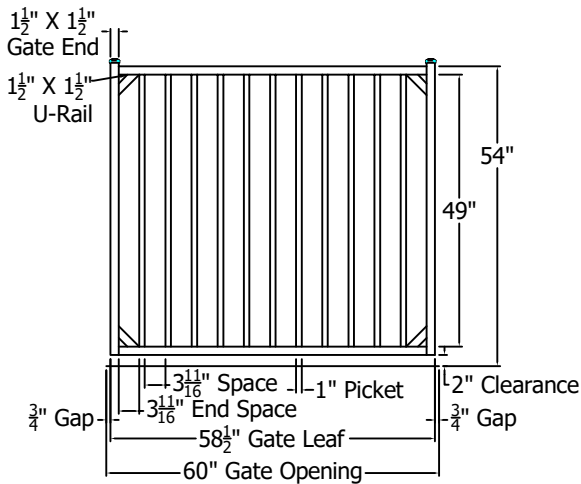
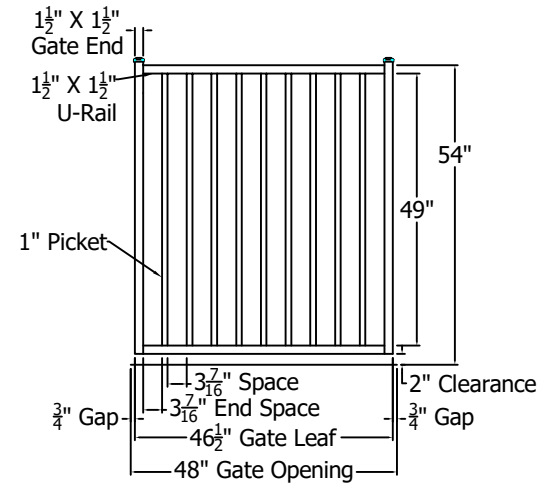
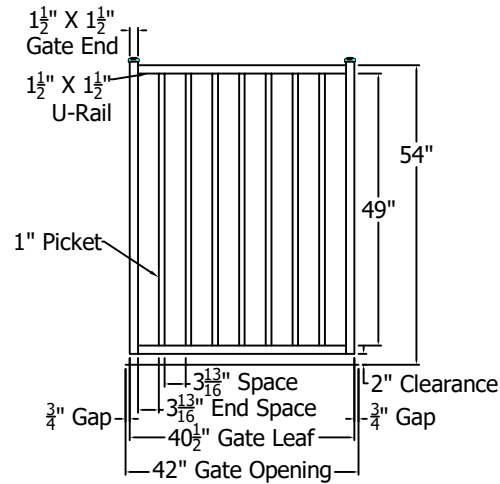
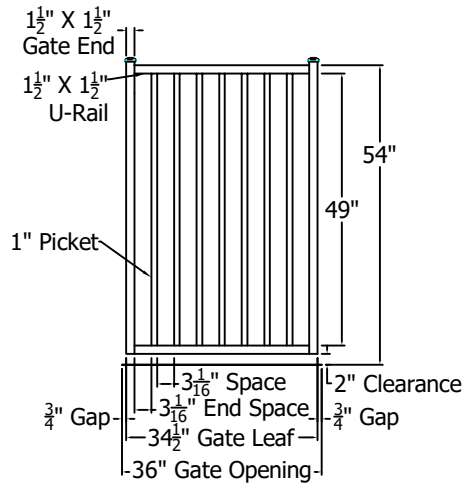
D

C

B

A

REV.	LOC.	REVISION	DATE



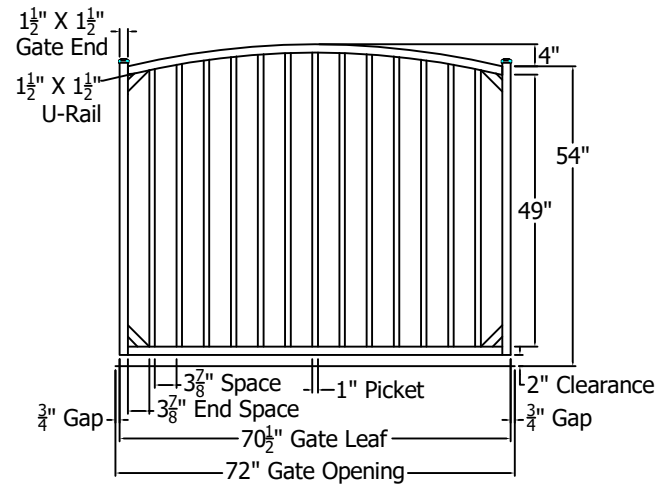
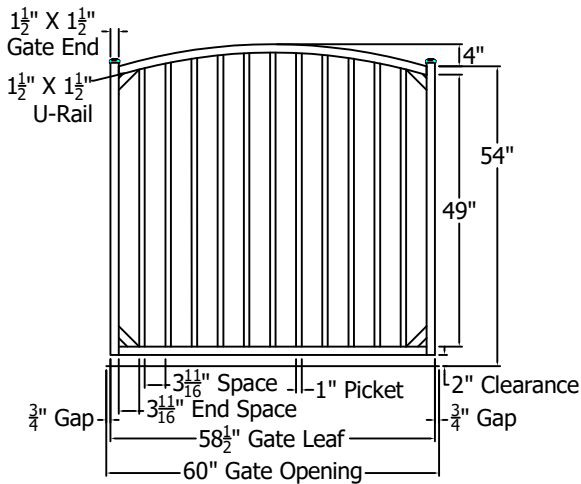
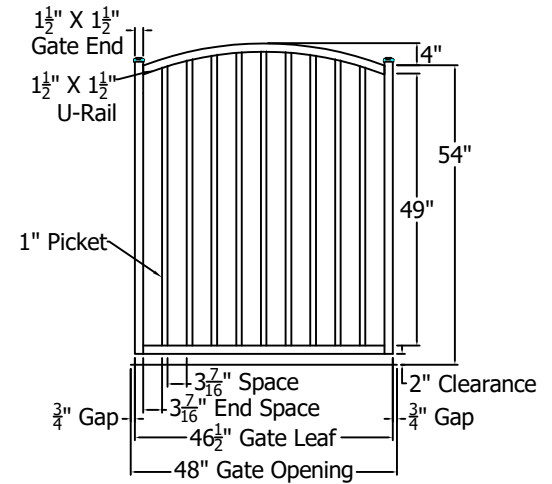
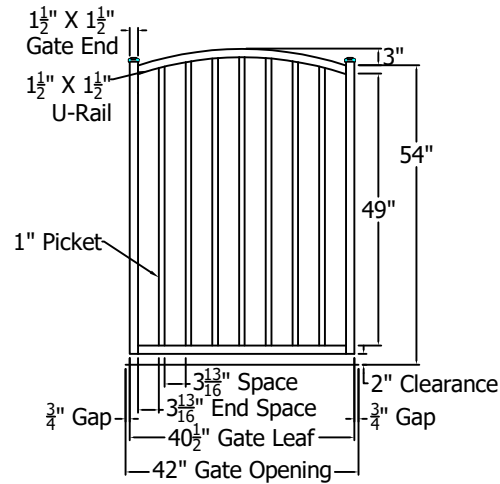
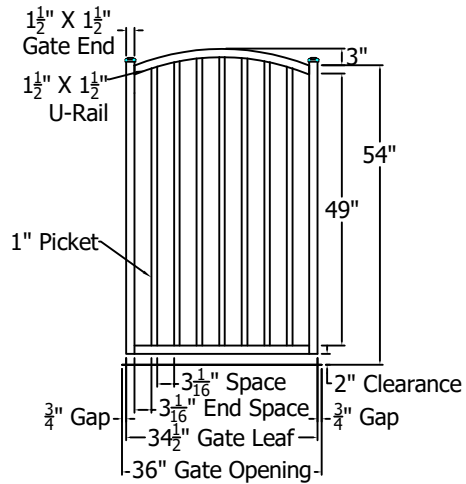
Complies With ASTM
F2409 And F1908
For Height And Spacing



DRAWN BY: EH
DATE DRAWN:
06-02-2021
SCALE = 1":1"
DRAFT NO.:
20210602-1E

STYLE:
2220 Standard Gates
AS SHOWN: 54" T
LOC: Z:\Aluminum\CourtYard\2000 Series\Updated Standard Drawings
REV.
A

REV.	LOC.	REVISION	DATE



Complies With ASTM
F2409 And F1908
For Height And Spacing



DRAWN BY: EH
DATE DRAWN:
06-02-2021
SCALE = 1":1"
DRAFT NO.:
20210602-1E

STYLE:
**2220 Standard Gates
Arched**
AS SHOWN: 54" T
LOC: Z:\Aluminum\CourtYard\2000
Series\Updated Standard Drawings
REV.
A

4

3

2

1

D

C

B

A