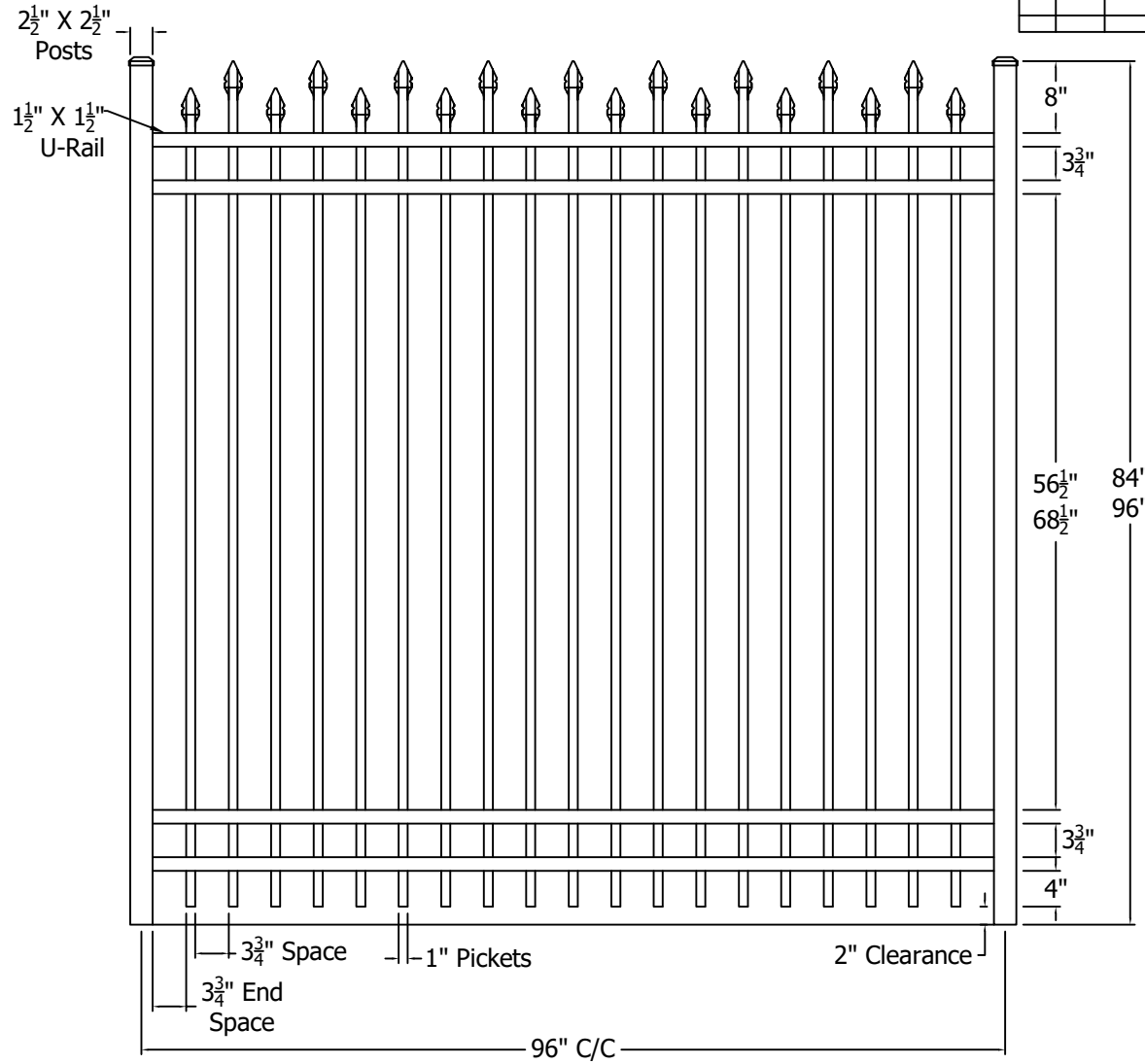







REV.	LOC.	REVISION	DATE



Finial Options	
 Quad	 Triad
 Fleur-de-lis	

	 <i>Transforming the Outdoor Living Experience™</i> 3446 US 6 EAST Bremen, IN 46506 diggerspecialties.com	DRAWN BY: EH DATE DRAWN: 08-19-2021	STYLE: 2142
		SCALE = 1":1"	AS SHOWN: 96" W X 96" T
		DRAFT NO.: 20210819-1E	LOC: Z:\Aluminum\CourtYard\2000 Series\Updated Standard Drawings REV. A

4

3

2

1

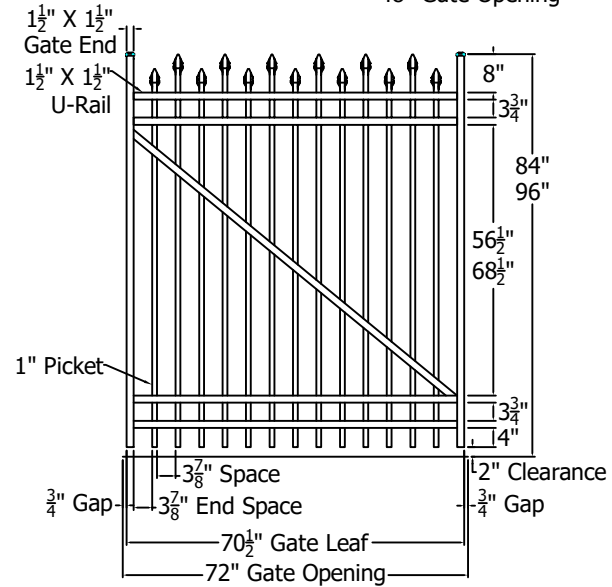
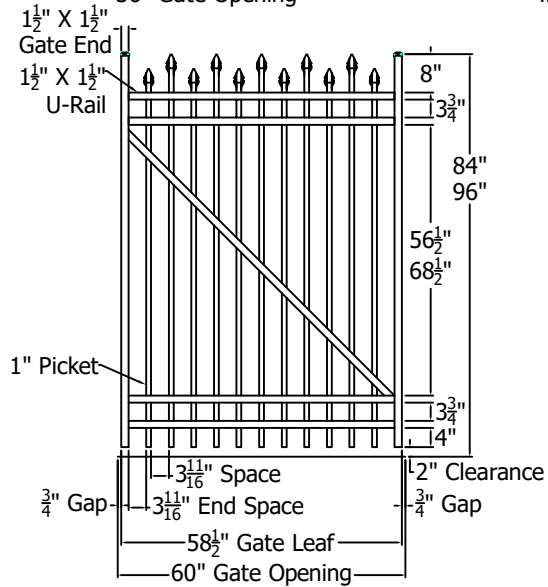
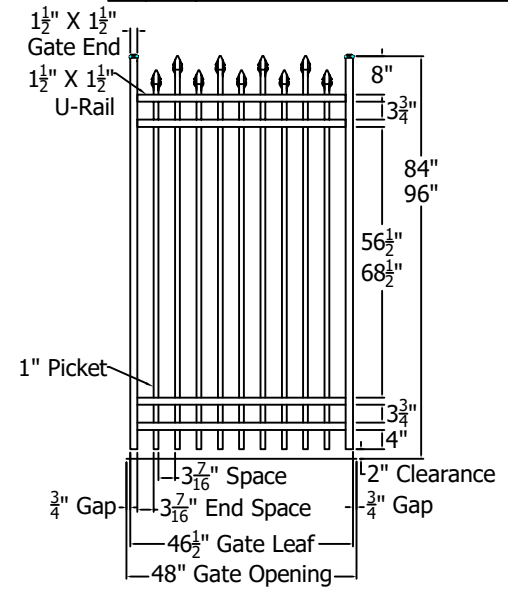
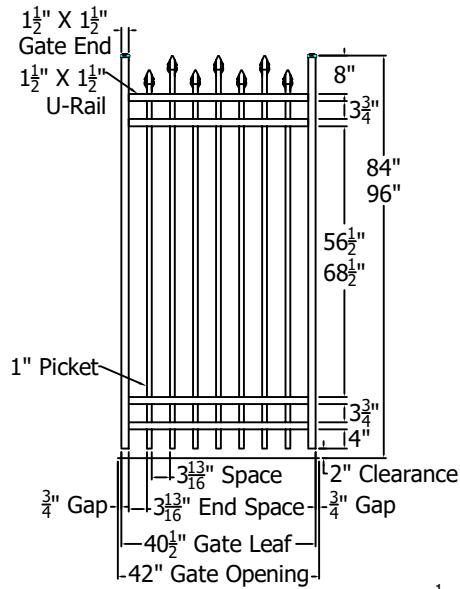
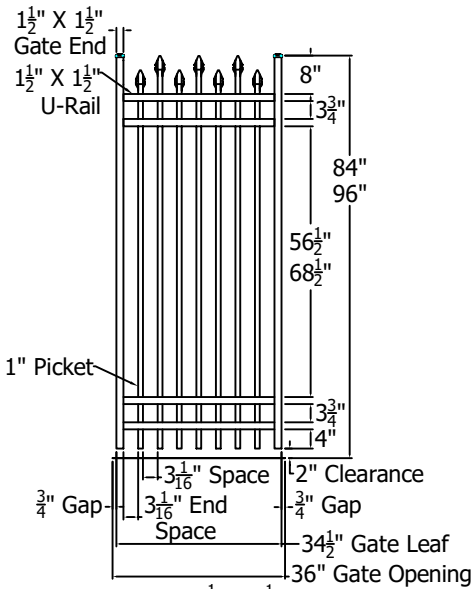
D




C



B

A

REV.	LOC.	REVISION	DATE



Finial Options	
 Quad	 Triad
 Fleur-de-lis	

	 Digger Specialties Inc. <i>Transforming the Outdoor Living Experience™</i> 3446 US 6 EAST Bremen, IN 46506 diggerspecialties.com	DRAWN BY: EH	STYLE:
		DATE DRAWN: 04-15-2022	2142 Standard Gates
		SCALE = 1"=1"	AS SHOWN: 84" T
		DRAFT NO.: 20220415-1E	LOC: Z:\Aluminum\CourtYard\2000 Series\Updated Standard Drawings
			REV. A

4

3

2

1

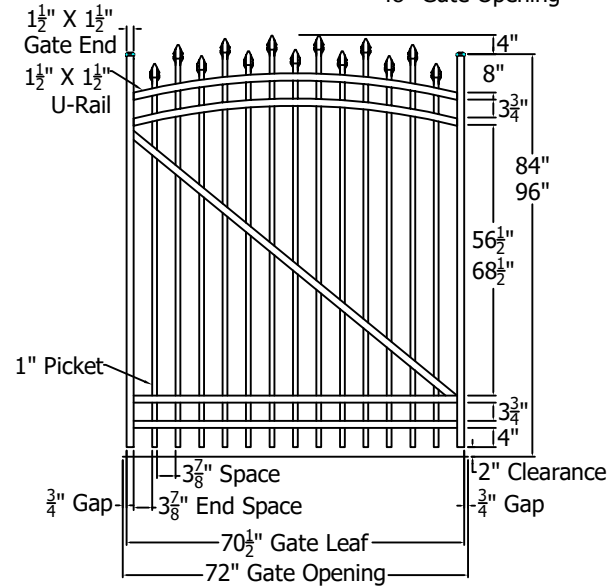
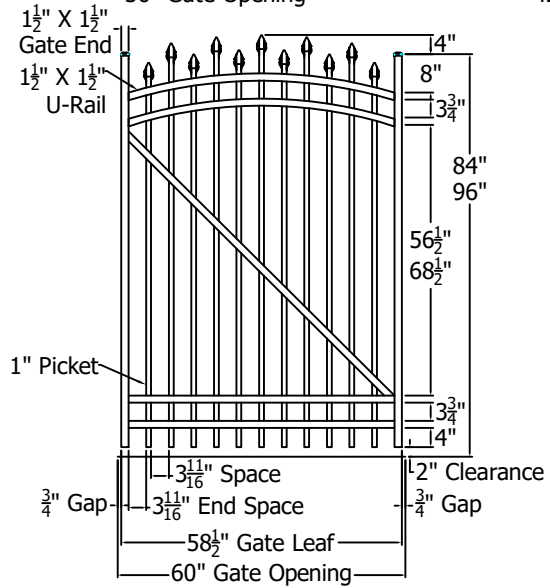
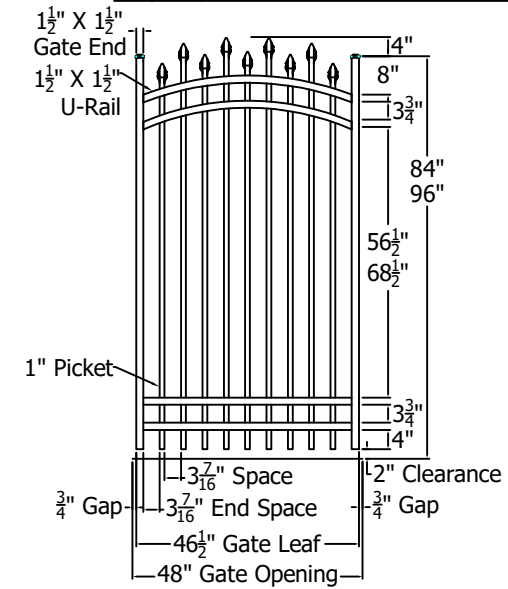
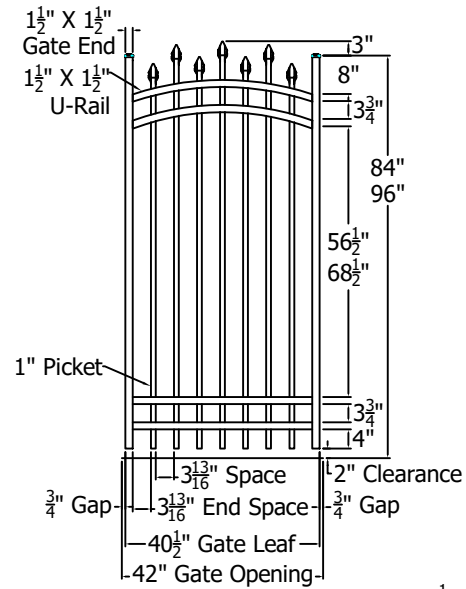
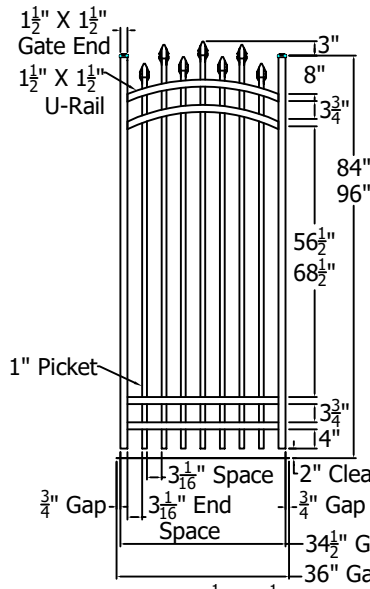
D

C

B

A

REV.	LOC.	REVISION	DATE



Finial Options	
Quad	Triad
Fleur-de-lis	

 3446 US 6 EAST Bremen, IN 46506 diggerspecialties.com	 Transforming the Outdoor Living Experience™	DRAWN BY: EH	STYLE: 2142 Standard Gates Arched
		DATE DRAWN: 04-15-2022	AS SHOWN: 84" T
		SCALE = 1":1"	LOC: Z:\Aluminum\CourtYard\2000 Series\Updated Standard Drawings
		DRAFT NO.: 20220415-1E	REV. A

4

3

2

1

D

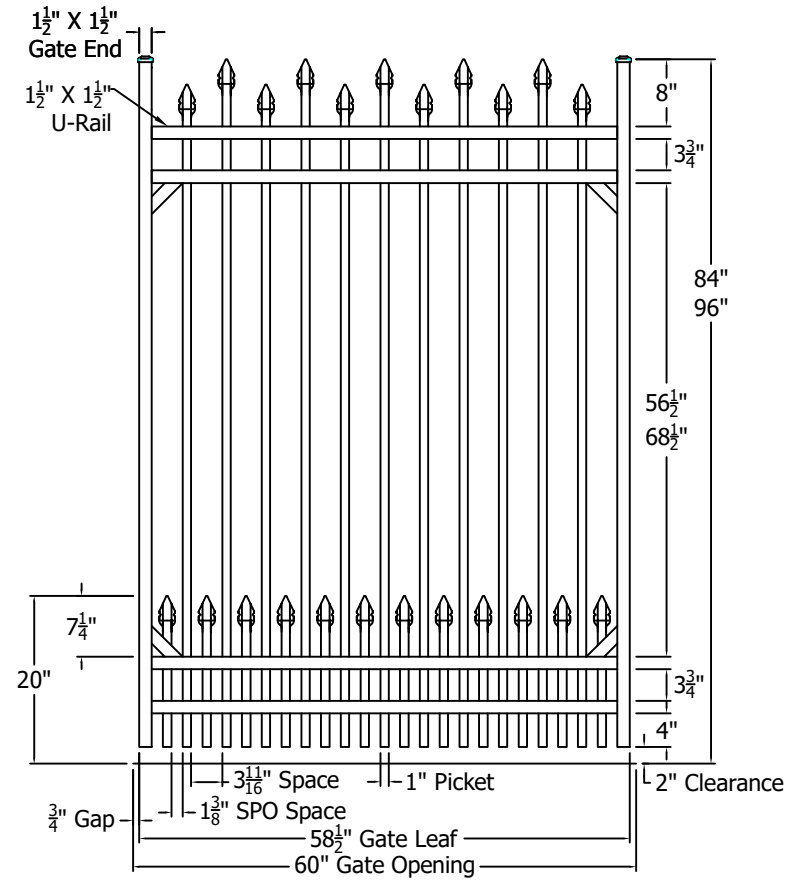
C




B



A

NOTE: Gusset Bracing Required On Gates Over 48" Wide

REV.	LOC.	REVISION	DATE



Finial Options	
 Quad	 Triad
 Fleur-de-lis	

	 Digger Specialties Inc. <i>Transforming the Outdoor Living Experience™</i>	DRAWN BY: EH DATE DRAWN: 04-15-2022	STYLE: 2142 Standard Gates SPO
		SCALE = 1":1"	AS SHOWN: 84" T
		DRAFT NO.: 20220415-1E	LOC: Z:\Aluminum\CourtYard\2000 Series\Updated Standard Drawings
			REV. A

4

3

2

1

D

C

B

A