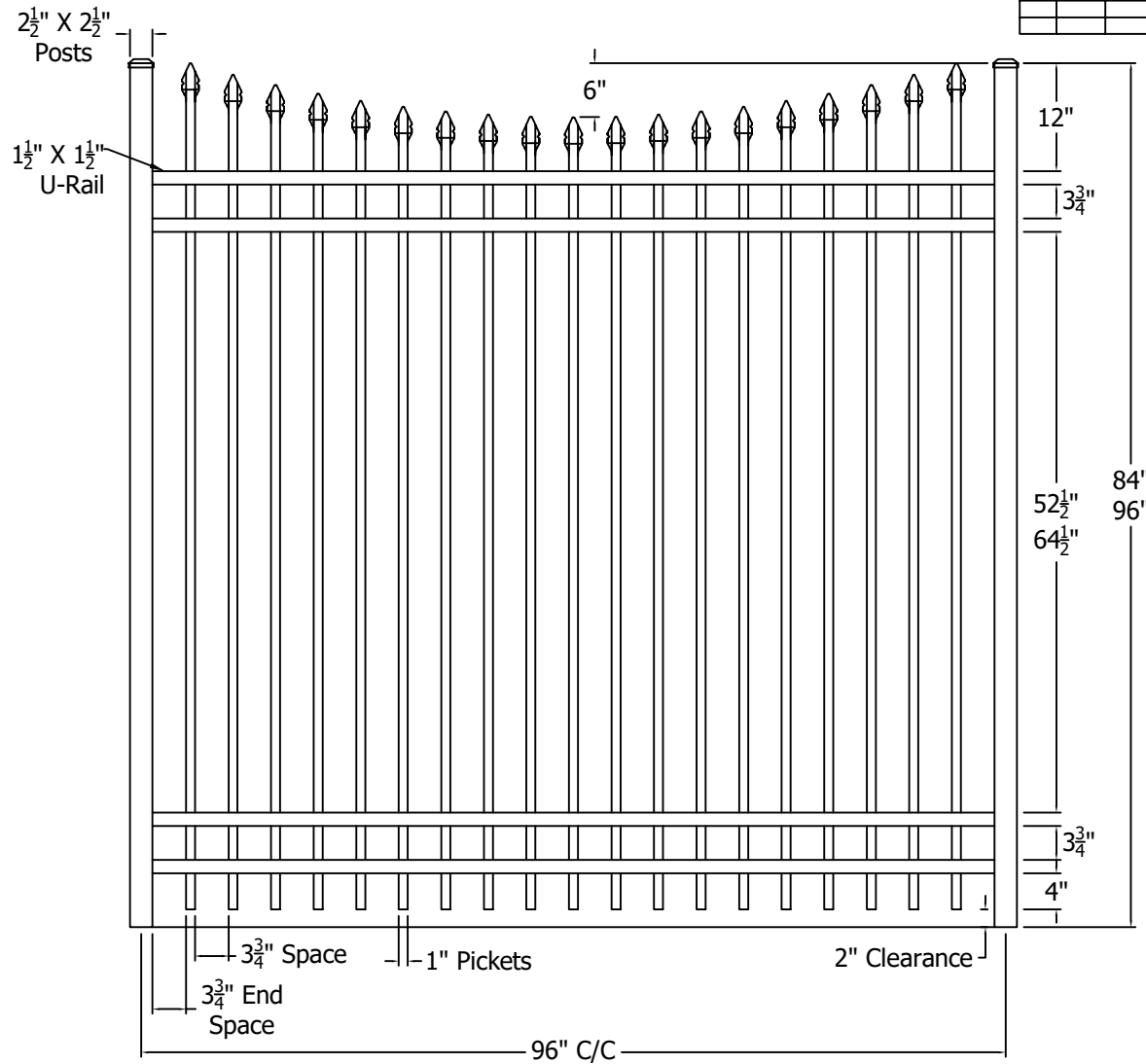







REV.	LOC.	REVISION	DATE



Finial Options	
 Quad	 Triad
 Fleur-de-lis	

	 Digger Specialties Inc. <i>Transforming the Outdoor Living Experience™</i>	DRAWN BY: EH DATE DRAWN: 04-15-2022	STYLE: 2141 Concave
		SCALE = 1":1"	AS SHOWN: 96" W X 96" T
3446 US 6 EAST Bremen, IN 46506 diggerspecialties.com		DRAFT NO.: 20220415-1E	LOC: Z:\Aluminum\CourtYard\2000 Series\Updated Standard Drawings REV. A

4

3

2

1

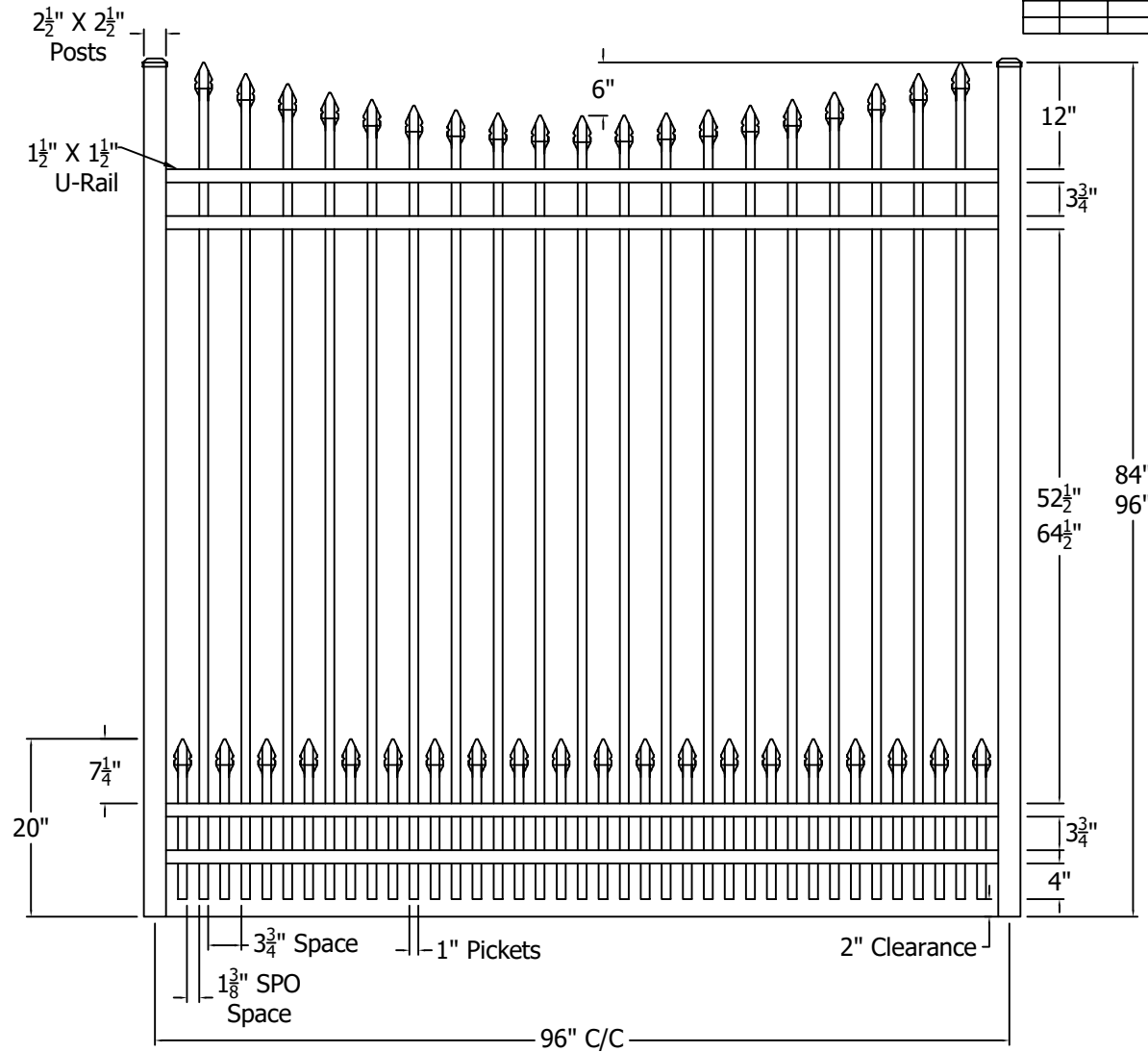
A




B



C

D

REV.	LOC.	REVISION	DATE



Finial Options	
 Quad	 Triad
 Fleur-de-lis	

	 <i>Transforming the Outdoor Living Experience™</i> 3446 US 6 EAST Bremen, IN 46506 diggerspecialties.com	DRAWN BY: EH DATE DRAWN: 04-15-2022	STYLE: 2141 Concave Short Picket Option
		SCALE = 1":1"	AS SHOWN: 96" W X 96" T
		DRAFT NO.: 20220415-1E	LOC: Z:\Aluminum\CourtYard\2000 Series\Updated Standard Drawings REV. A

4

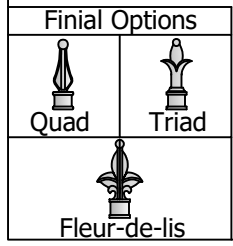
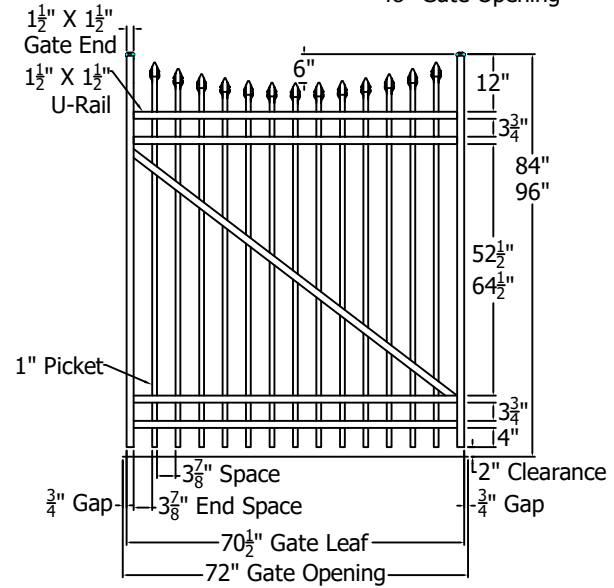
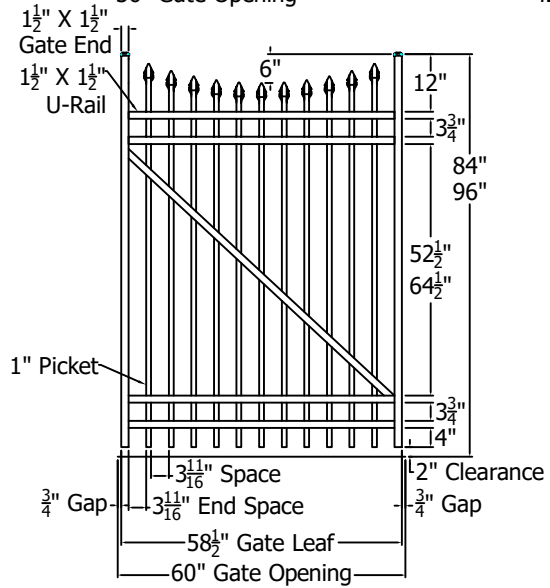
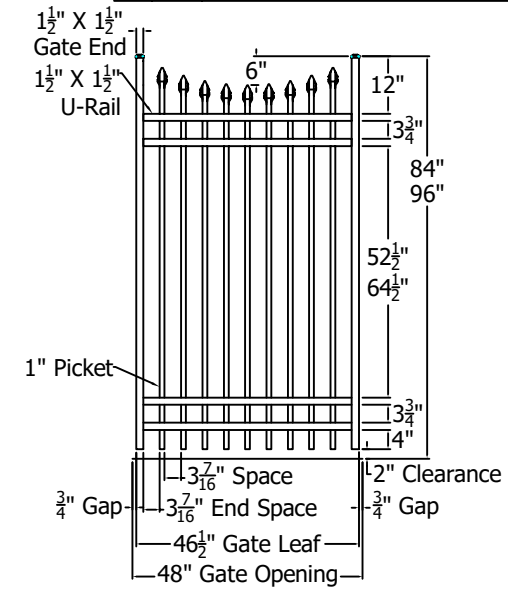
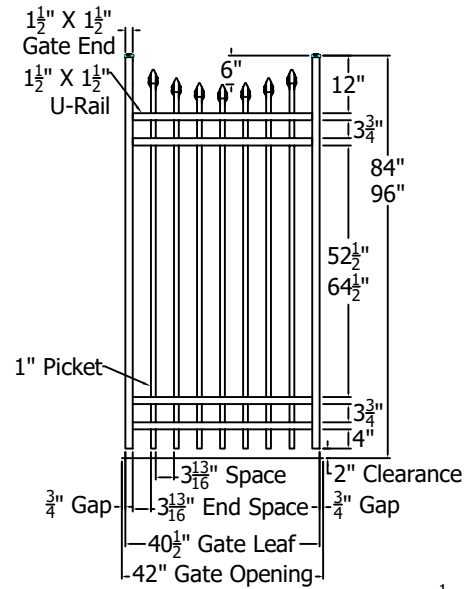
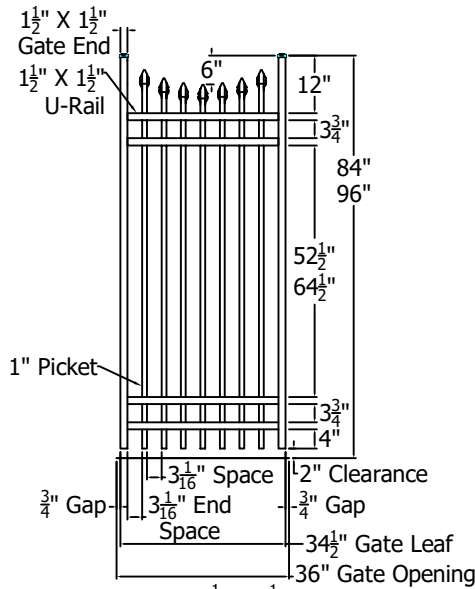
3

2

1

D
C
B
A

REV.	LOC.	REVISION	DATE



	<p>Transforming the Outdoor Living Experience™</p> <p>3446 US 6 EAST Bremen, IN 46506 diggerspecialties.com</p>	DRAWN BY: EH	STYLE:
		DATE DRAWN: 04-28-2022	2141 Concave Standard Gates
		SCALE = 1" = 1"	AS SHOWN: 84" T
		DRAFT NO.: 20220428-1E	LOC: Z:\Aluminum\CourtYard\2000 Series\Updated Standard Drawings
			REV. A

4

3

2

1

D

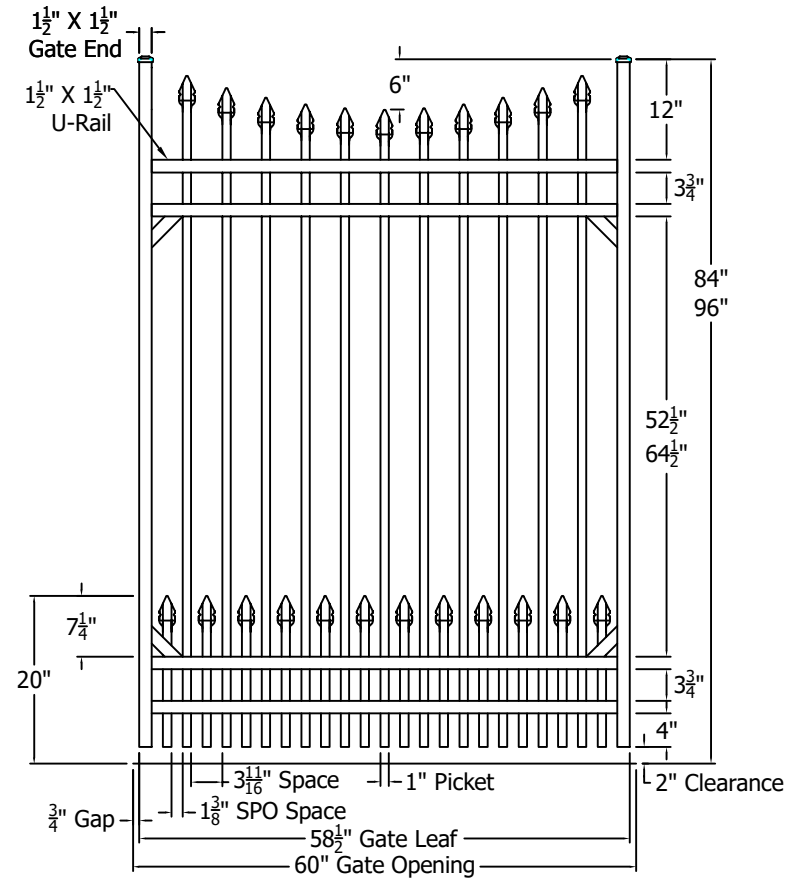
C




B



A

NOTE: Gusset Bracing Required On Gates Over 48" Wide

REV.	LOC.	REVISION	DATE



Finial Options	
 Quad	 Triad
 Fleur-de-lis	

	 Digger Specialties Inc. <i>Transforming the Outdoor Living Experience™</i> 3446 US 6 EAST Bremen, IN 46506 diggerspecialties.com	DRAWN BY: EH DATE DRAWN: 04-28-2022	STYLE: 2141 Concave Standard Gates SPO
		SCALE = 1":1"	AS SHOWN: 84" T
		DRAFT NO.: 20220428-1E	LOC: Z:\Aluminum\CourtYard\2000 Series\Updated Standard Drawings
		REV. A	REV. A

4

3

2

1

D
C
B
A