

Column Tie Down Bracket System

Installation Instructions

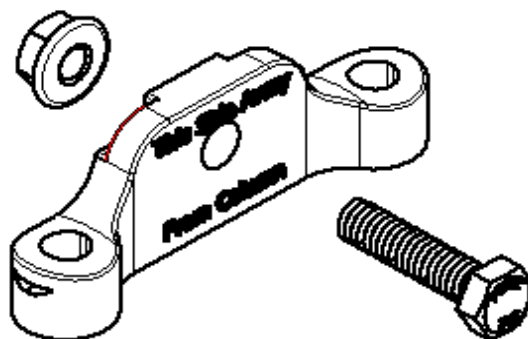
Tools Recommended: Drill, 5/16" drill bit, 1/2" wrench,

- Step 1 Assemble columns per instructions provided with the columns.
- Step 2 With column on protected surface, slide the cap and base onto the column shaft and position at least two feet from each end. Secure cap and base with tape to prevent movement.
- Step 3 Place bracket flush with end of column exterior side. Mark and drill 5/16" hole. Install bolts, washers and nuts provided; make certain nuts are oriented to the inside of column and tighten with wrench. If the post is to be located at the corner of the structure, you should attach additional brackets. Repeat process on opposite side and other end of column. Minimum (4) total brackets / (2) sets required per column.
- Step 4 Place column in opening and lower upper beam to apply load.
- Step 5 Remove tape and slide the cap and base into position to check alignment. Adjust column position as necessary, then re-secure the cap and base away from each end of the column shaft to allow working room, mark hole locations on floor and upper beam. Make certain plates and fasteners contact overhead beam and structural element below; add additional supports as necessary.
- Step 6 Lift upper beam, remove column and pre-drill concrete to receive anchor screws (not provided); hole depth must be at least 1/4" deeper than anchor embedment; make certain hole is free of dust and debris.
- Step 7 Reposition column, apply load and then insert concrete anchor screws. Do not over torque screws. Use cardboard or other suitable barrier to protect the column from damage while tightening the anchor screws. Next, insert self-drilling wood fasteners (not provided) into overhead beam. Make certain screws are fully embedded in a structural support member. If necessary, add structural member below porch or deck.

1 Set Includes:

- 2-Brackets
- 2-Bolts
- 2-Flange Nuts

2 Sets (4 total brackets) per column required.



(SEE BACK)

Column Tie Down Bracket System

Installation Instructions

