

4

3

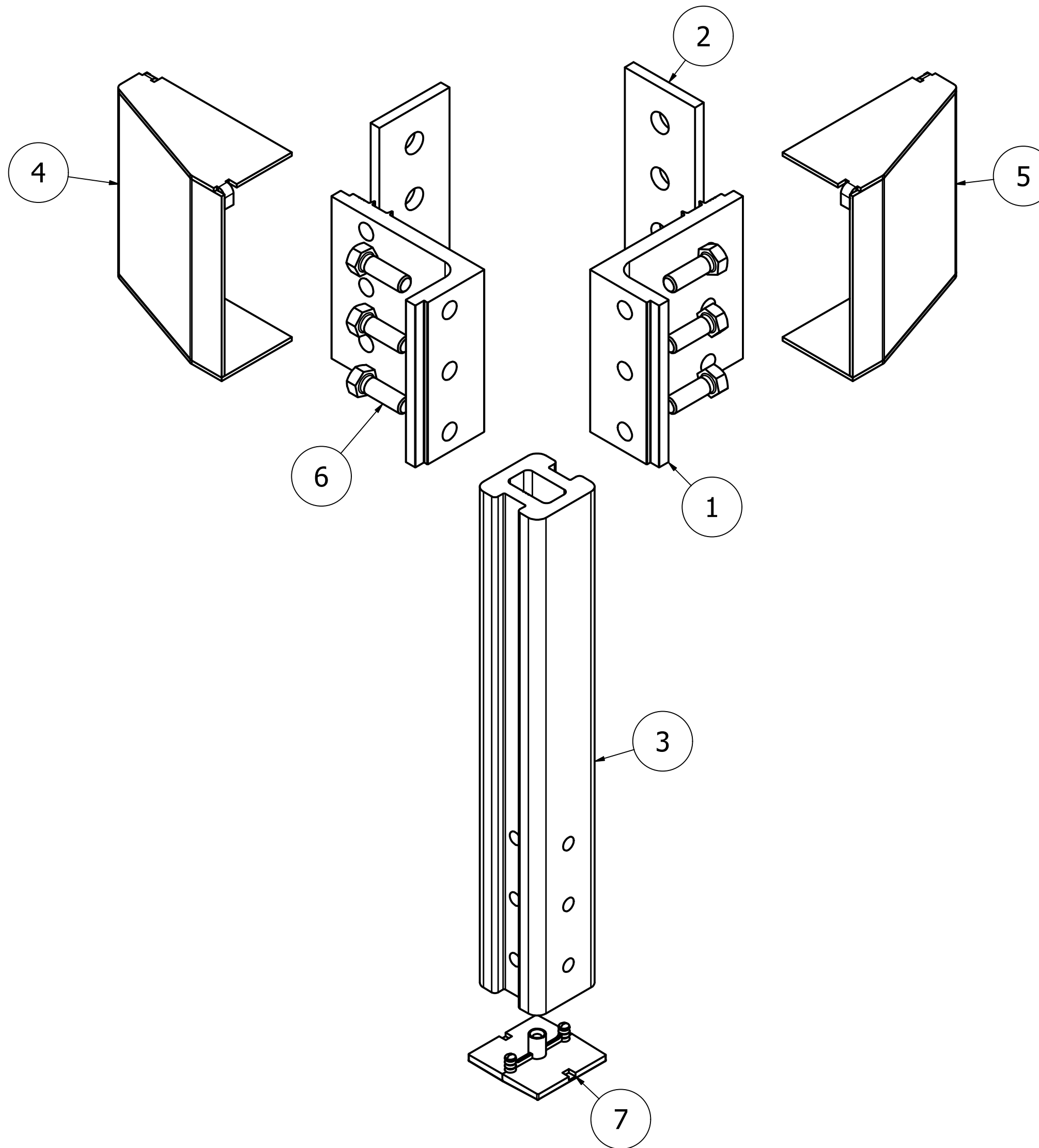
2

1

REV.	DESCRIPTION	DATE

D

D



C

C

B

B

A

A

PARTS LIST

ITEM	QTY	PART NUMBER	DESCRIPTION
1	2	110134ZZZ	Bracket Alum Angle 4" Fascia Mnt
2	2	110135ZZZ	Plate Alum 1/4 X 2 X 4 1/2 3 Hole Fascia Mnt
3	1	110136ZZZ	Alum Insert 1-7/8 SQ X 12 1/4 Fascia Mnt
4	1	110231ZZZ	Cover Left Fascia Mnt
5	1	110233ZZZ	Cover Right Fascia Mnt
6	6	110243ZZZ	Hex Bolt SS 3/8-16 x 1.125
7	1	156191ZZZ	Cap 2" Flat IRC

DSI Digger Specialties Inc.
Transforming the Outdoor Living Experience™
 3446 US 6 EAST
 BREMEN, IN 46506
 diggerspecialties.com

WEIGHT: **5.42 lb**
 STANDARD TOLERANCE:
 .00 .01
 .000 .005
 ANG. .5~
 FRACTIONS: ± 1/16
 FILE LOC: Z:\Projects\Projects 2022\Fascia Mount Kits\Fascia Mount Kit CP.idw

DRAWN BY: **CM**
 DATE DRAWN:
8/30/2022
 DRAFT NO.
20220830-1C

MATERIAL:
Aluminum, Zinc & Stainless Steel
 PART NAME:
Fascia Mount Kit CP.idw
 PART NUMBER:
173841CST

4

3

4

2

1

A

A