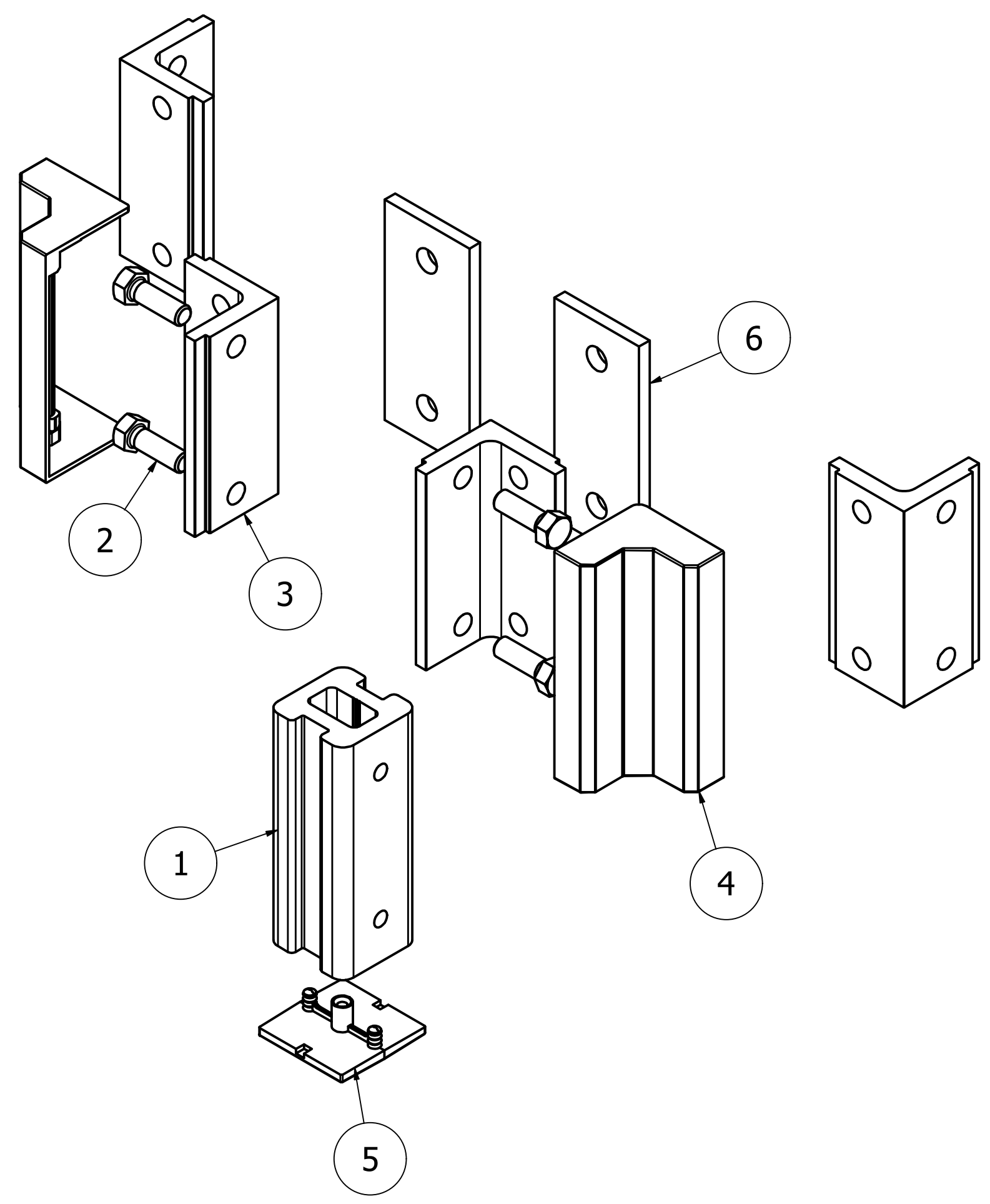



REV.	DESCRIPTION	DATE



**PARTS LIST**

ITEM	QTY	PART NUMBER	DESCRIPTION
1	1	110137ZZZ	Alum Insert 1-78 SQ X 4¾ Fascia Mnt
2	4	110243ZZZ	Hex Bolt SS 3/8-16 x 1.125
3	4	156189ZZZ	Bracket Alum Angle 1.88 x 4" Fascia Mnt
4	2	156190ZZZ	Flair Pln Zinc Cover for Fascia Post Mnt
5	2	156191ZZZ	Cap 2" Flat IRC
6	2	156240ZZZ	Plate Alum .25" x 2" x 4.5" for Fascia Mnt

 <p><b>Digger Specialties Inc.</b>  <i>Transforming the Outdoor Living Experience™</i>          3446 US 6 EAST          BREMEN, IN 46506          diggerspecialties.com</p>	<b>WEIGHT:</b> 4.30 lb	<b>DRAWN BY:</b> CM	<b>MATERIAL:</b> Aluminum, Zinc & Stainless Steel
	<b>STANDARD TOLERANCE:</b> .00 ~ .01 .000 ~ .005 ANG. ~ .5~	<b>DATE DRAWN:</b> 8/30/2022	
	<b>FRACTIONS:</b> ± 1/16"	<b>DRAFT NO.</b> 20220830-2C	<b>PART NUMBER:</b> 173840CST
	<b>FILE LOC:</b> Z:\Projects\Projects 2022\Fascia Mount Kits\Fascia Mount Kit LP.idw	<b>REV.</b>	