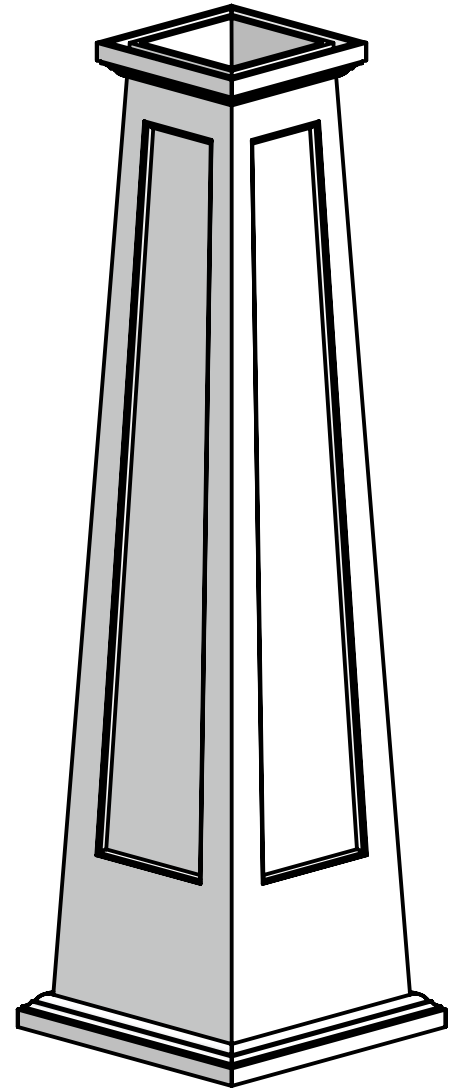
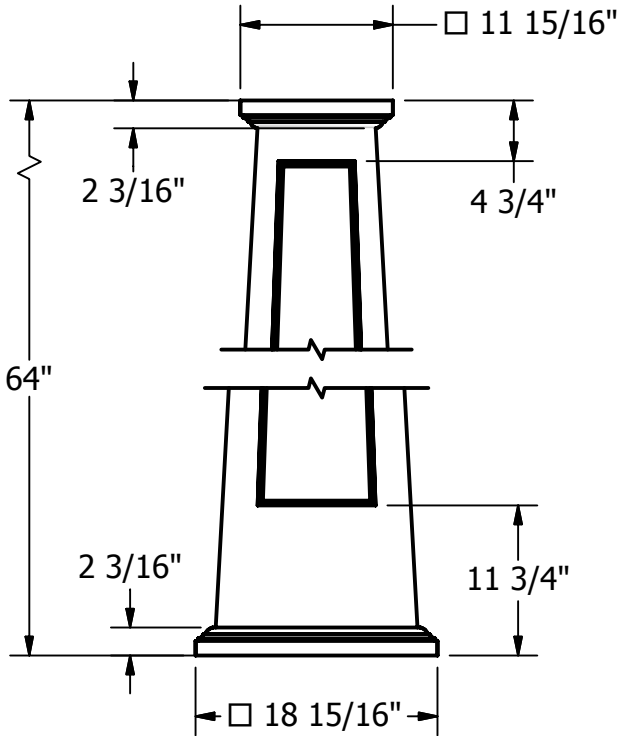


2

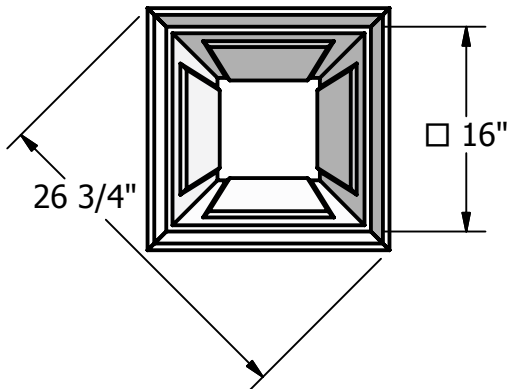
1

NOTES:

- 1. MATERIAL: FIBERGLASS REINFORCED POLYMER (FRP)
- 2. WEIGHT: COLUMN: 108 Lbs.
CAP: 2.5 Lbs.
BASE: 2.5 Lbs.
- 3. MATERIAL THICKNESS.
COLUMN: 1/2"
- 4. INSIDE DIAMETER AT TOP OF COLUMN: 7 5/8"
- 5. OUTSIDE DIAMETER AT TOP OF COLUMN: 9"
- 6. INSIDE DIAMETER AT BOTTOM OF COLUMN: 15"
- 7. OUTSIDE DIAMETER AT BOTTOM OF COLUMN: 16"



NOT TO SCALE



DRAWN	Bryan Daniels	4/6/2016
CHECKED		
QA		
APPROVED		



TITLE
Fiberglass Craftsman Recessed 16" x 9" x 64"

DIMENSIONS ARE IN INCHES
TOLERANCE: ± 1/4"

SIZE A	DWG NO	REV
SCALE	SQTRP160964	03
1:15	SHEET 1 OF 1	

2

1