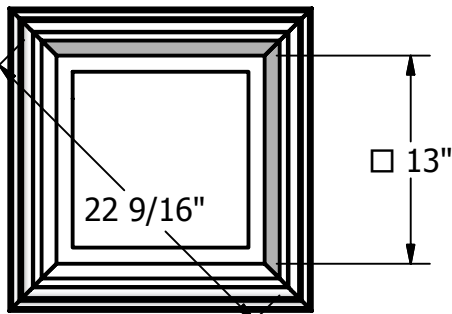


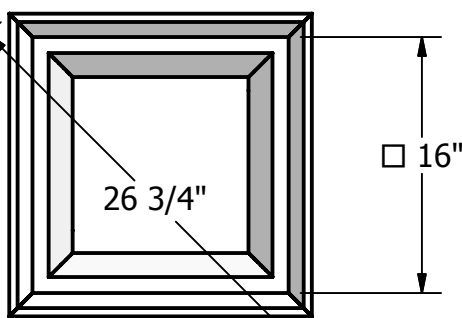
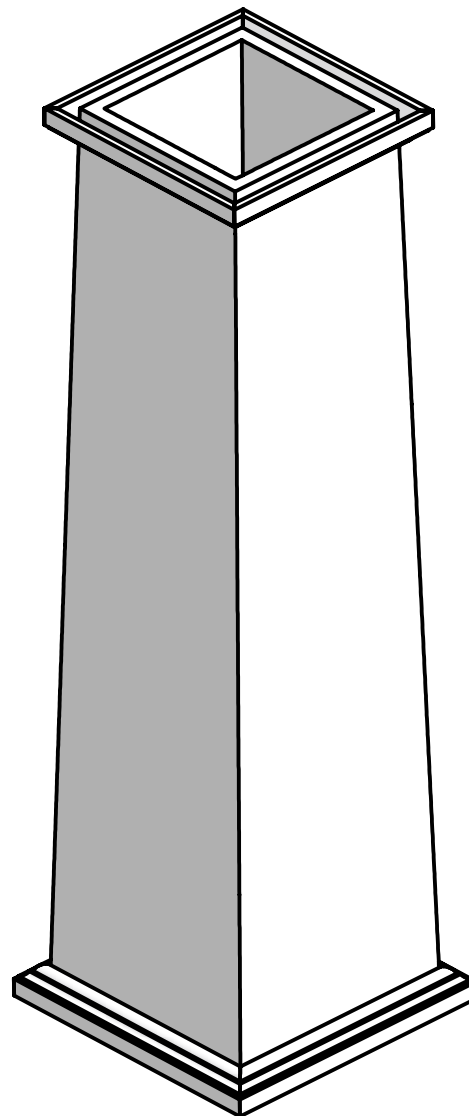
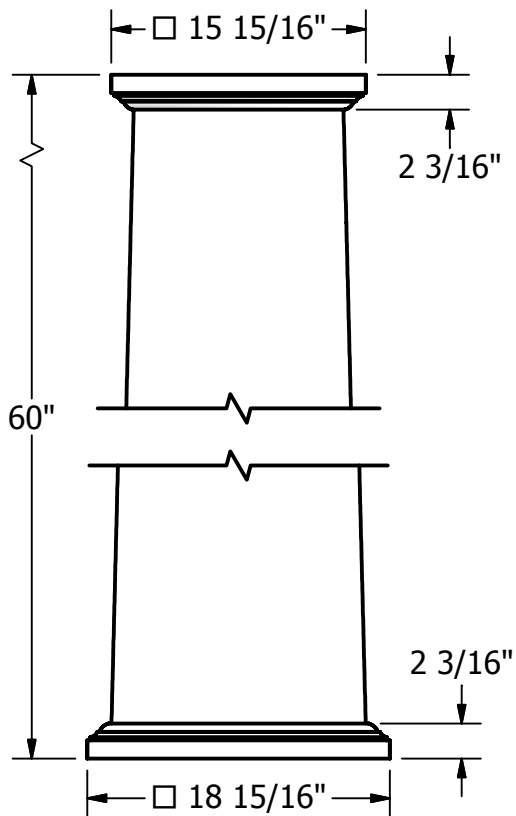
2

1



NOTES:

- 1. MATERIAL: FIBERGLASS REINFORCED POLYMER (FRP)
- 2. WEIGHT: COLUMN: 122 Lbs.
CAP: 2.5 Lbs.
BASE: 2.5 Lbs.
- 3. MATERIAL THICKNESS.
COLUMN: 1/2"
- 4. INSIDE DIAMETER AT TOP OF COLUMN: 12"
- 5. OUTSIDE DIAMETER AT TOP OF COLUMN: 13"
- 6. INSIDE DIAMETER AT BOTTOM OF COLUMN: 15"
- 7. OUTSIDE DIAMETER AT BOTTOM OF COLUMN: 16"



DRAWN	Bryan Daniels	4/1/2016
CHECKED		
QA		
MFG		
APPROVED		



DSI
Digger
Specialties
Inc.
Transforming the Outdoor Living Experience



Westbury
COLUMNS

TITLE
Fiberglass Craftsman Smooth 16" x 13" x 60"

DIMENSIONS ARE IN INCHES
TOLERANCE: ± 1/4"

SIZE	A	DWG NO	SQT161360	REV	03
SCALE	1:12	SHEET 1 OF 1			

2

1