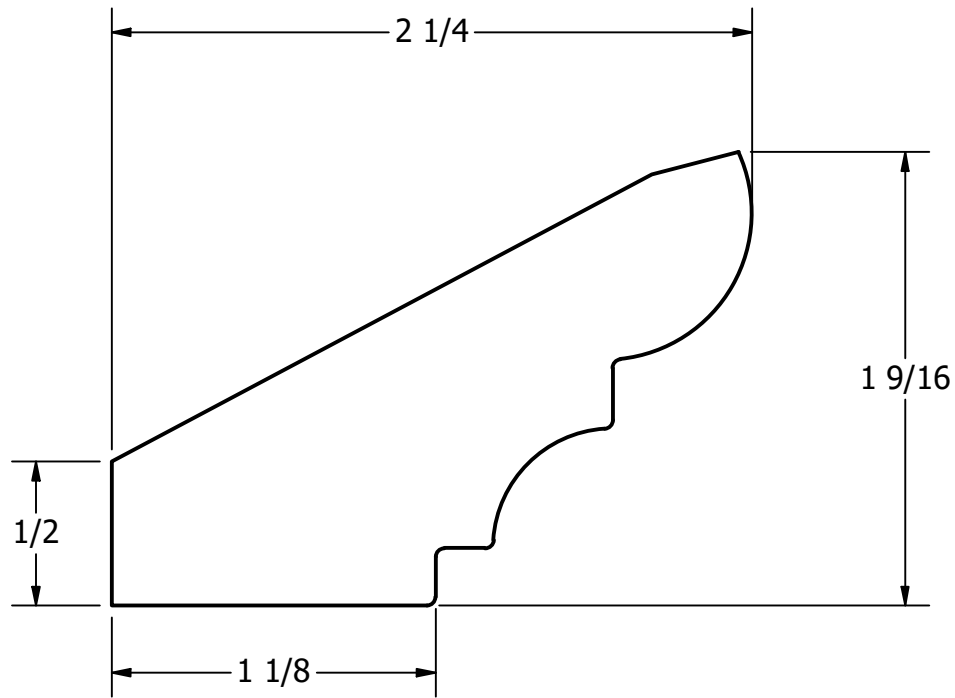
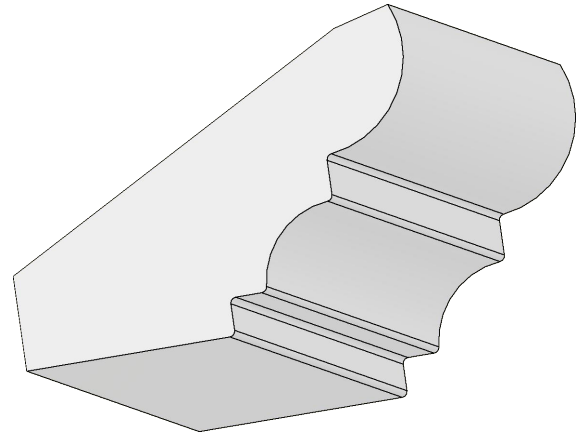


2

1



PVC Area Calcs. = 1.619 IN

DRAWN	wendellm	4/12/2023
CHECKED		
QA		
MATERIAL	PVC	
DIMENSIONS ARE IN INCHES TOLERANCE: ± 1/4"		



Digger Specialties Inc.

Transforming the Outdoor Living Experience®



TITLE			
Moulding For Craftman Columns			
SIZE	DWG NO	REV	
A	145148WHT		
SCALE	SHEET 1 OF 1		
Varies			

8013 Purfoy Road  
Fuquay-Varina, NC 27526  
diggerspecialties.com

2

1

