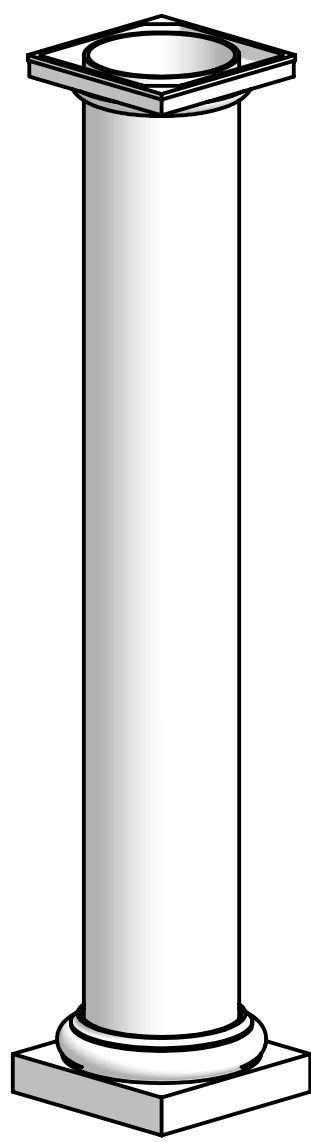
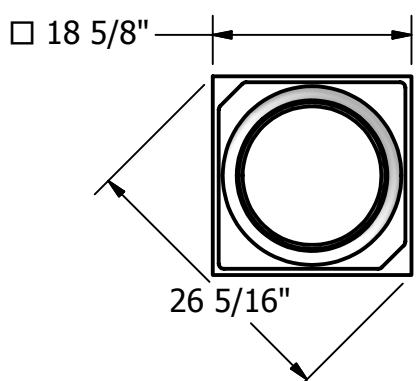
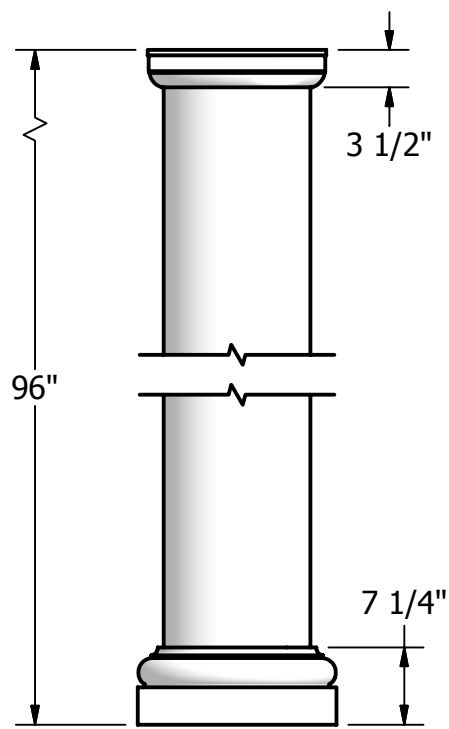
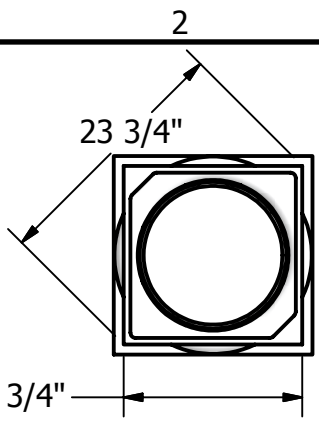


- NOTES:**
1. MATERIAL: FIBERGLASS REINFORCED POLYMER (FRP)
 2. WEIGHT: COLUMN: 120 Lbs.
CAP: 9 Lbs.
BASE: 24 Lbs.
 3. MATERIAL THICKNESS.
COLUMN: 3/8"
 4. INSIDE DIAMETER AT TOP OF COLUMN: 13"
 5. OUTSIDE DIAMETER AT TOP OF COLUMN: 13 3/4"
 6. INSIDE DIAMETER AT BOTTOM OF COLUMN: 13"
 7. OUTSIDE DIAMETER AT BOTTOM OF COLUMN: 13 3/4"



NOT TO SCALE

DRAWN	Bryan Daniels	5/13/2016
CHECKED		
QA		
MFG		
APPROVED		



DSI
Digger
Specialties
Inc.
Transforming the Outdoor Living Experience



Westbury
COLUMNS

TITLE
Fiberglass Tuscan Round, Non-Tapered 14" x 8'

DIMENSIONS ARE IN INCHES
TOLERANCE: ± 1/4"

SIZE	A	DWG NO	NTSM1408	REV	03
SCALE	1:18	SHEET 1 OF 1			

2



1