

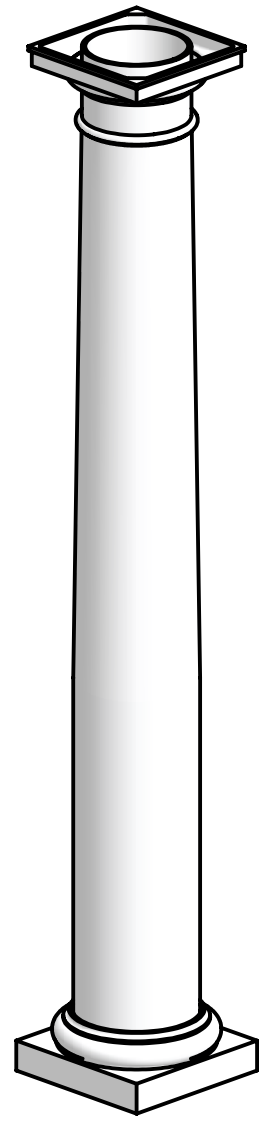
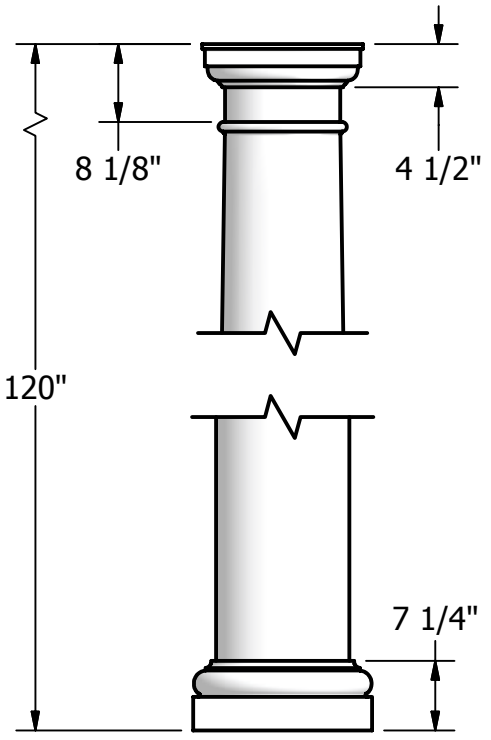
2

1

- NOTES:**
1. MATERIAL: FIBERGLASS REINFORCED POLYMER (FRP)
 2. WEIGHT: COLUMN: 180 Lbs.
CAP: 12 Lbs.
BASE: 24 Lbs.
 3. MATERIAL THICKNESS.
COLUMN: 3/8"
 4. INSIDE DIAMETER AT TOP OF COLUMN: 11 1/4"
 5. OUTSIDE DIAMETER AT TOP OF COLUMN: 12"
 6. INSIDE DIAMETER AT BOTTOM OF COLUMN: 13 1/8"
 7. OUTSIDE DIAMETER AT BOTTOM OF COLUMN: 13 7/8"
 8. TAPER STARTS FROM BOTTOM OF COLUMN: 46"

B



B



A

A

NOT TO SCALE

DRAWN	Bryan Daniels	5/11/2016	 		
CHECKED					
QA			TITLE Fiberglass Tuscan Round, Smooth 14" x 10'		
DIMENSIONS ARE IN INCHES TOLERANCE: ± 1/4"			SIZE A	DWG NO SM1410	REV 03
			SCALE 1:20	SHEET 1 OF 1	

2

1

1