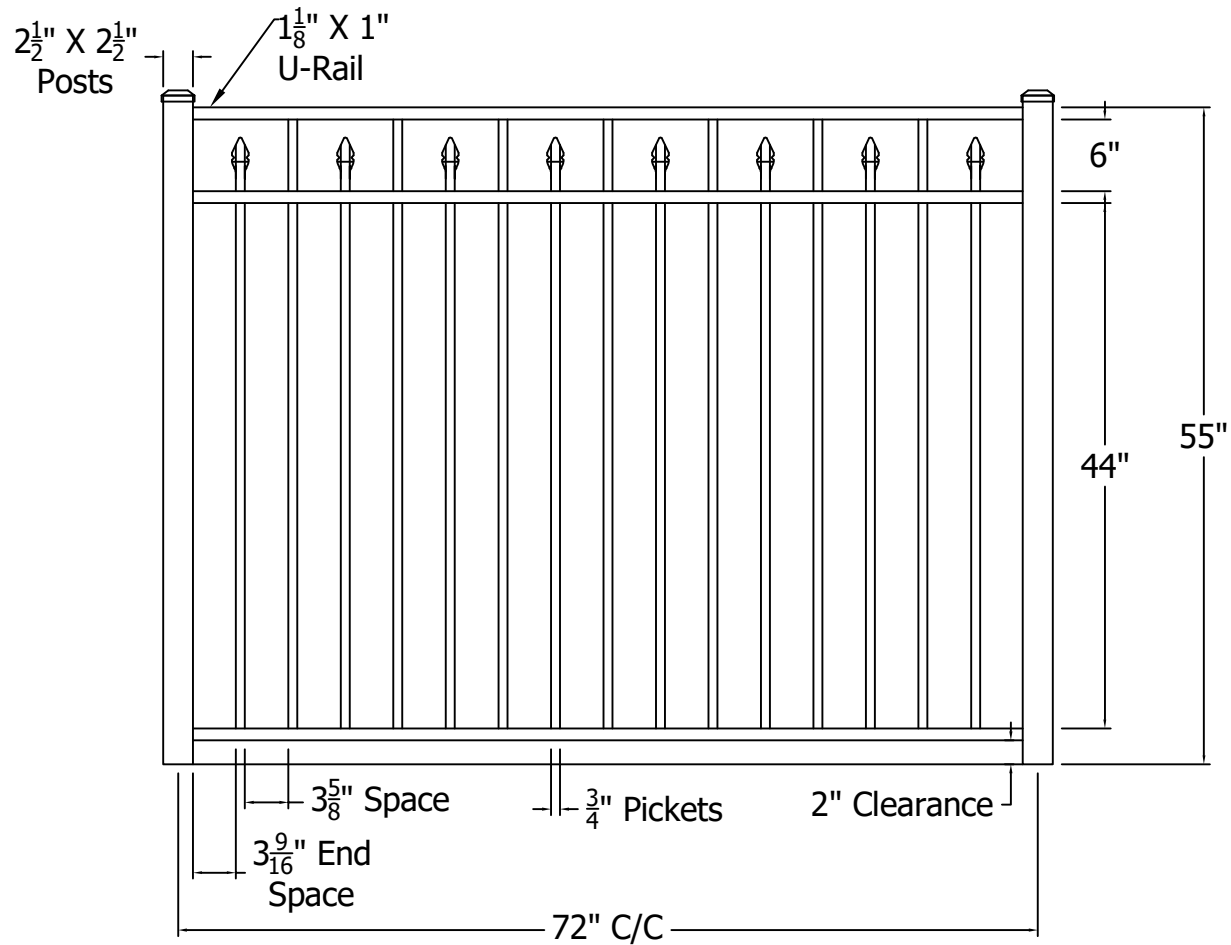





REV.	LOC.	REVISION	DATE



Finial Options	
 Quad	 Triad
 Fleur-de-lis	



Complies With ASTM
F2409 And F1908
For Height And Spacing



DRAWN BY: EH
DATE DRAWN:
03-15-2021
SCALE = 1":1"
DRAFT NO.:
20210315-1E

STYLE:
1233 Pool
AS SHOWN: 72" W 55" T
LOC: Z:\Aluminum\CourtYard\1000 Series\1000 SRS Sections\Updated Standard Drawings
REV. A

4

3

2

1

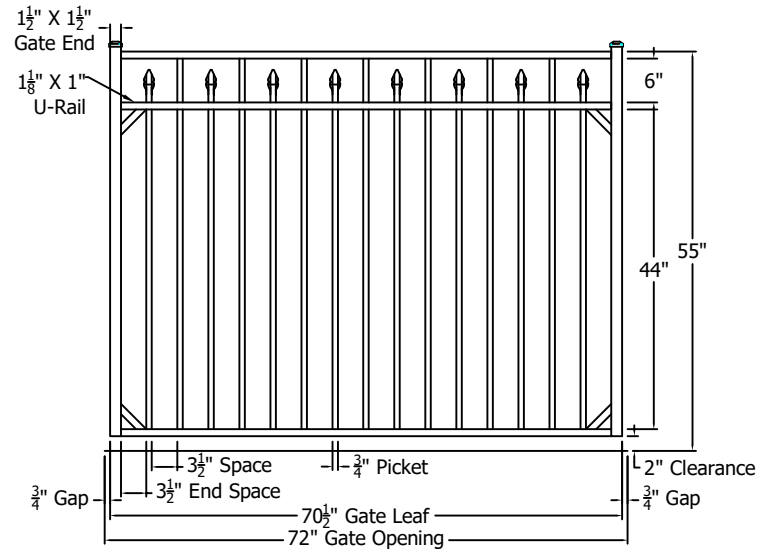
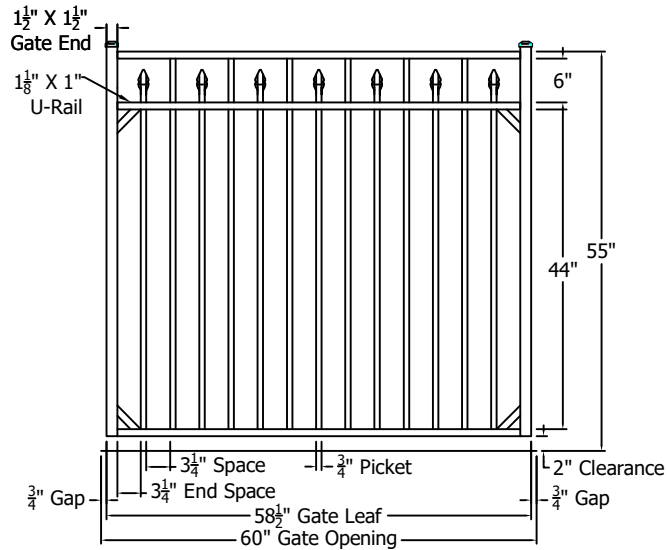
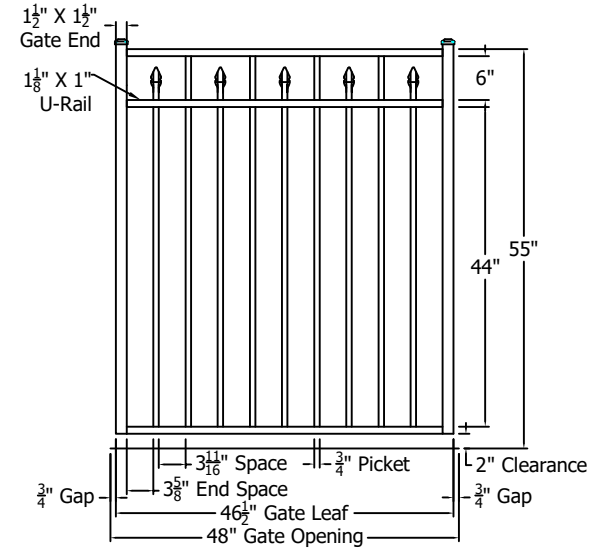
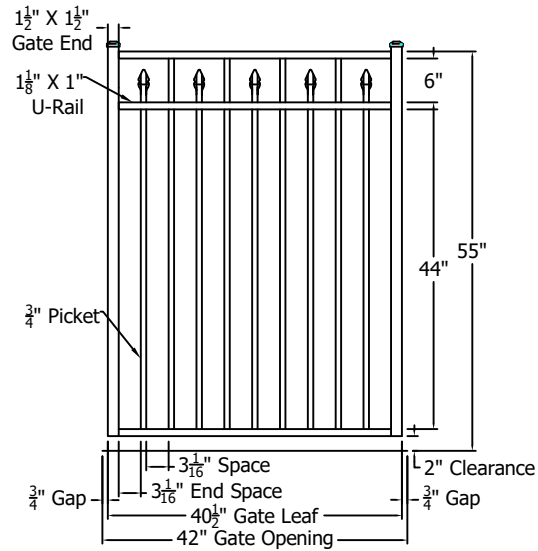
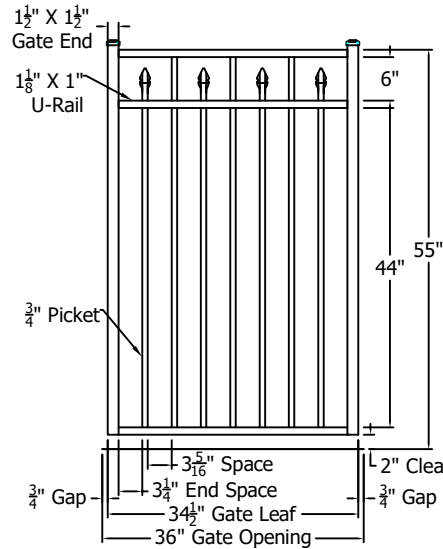
D

C

B

A

REV.	LOC.	REVISION	DATE



Finial Options	
Quad	Triad
Fleur-de-lis	



Complies With ASTM
F2409 And F1908
For Height And Spacing



DRAWN BY: EH
DATE DRAWN:
03-15-2021
SCALE = 1":1"
DRAFT NO.:
20210315-1E

STYLE:
**1233 Standard Gates
Pool**
AS SHOWN: 55" T
LOC: Z:\Aluminum\CourtYard\1000
Series\1000 SRS Gates\Updated Standard
Drawings

REV.
A

4

3

2

1