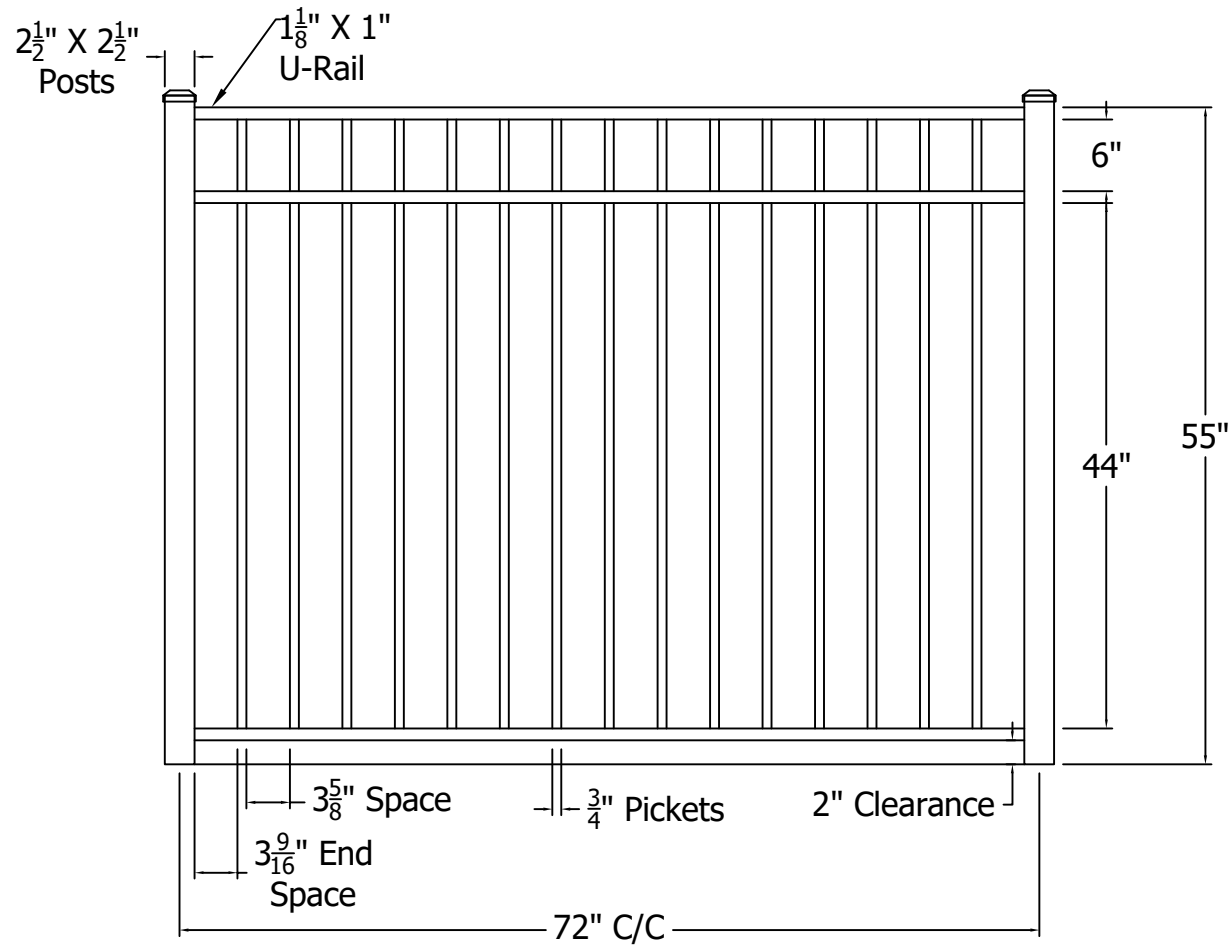


REV.	LOC.	REVISION	DATE



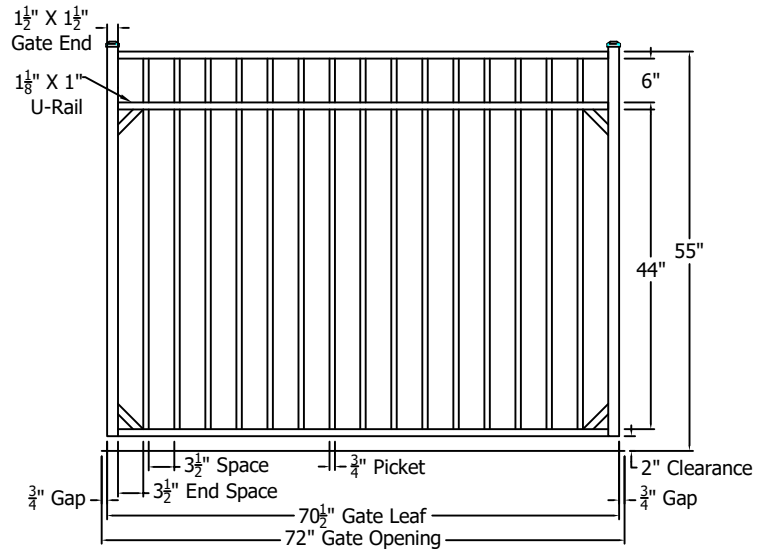
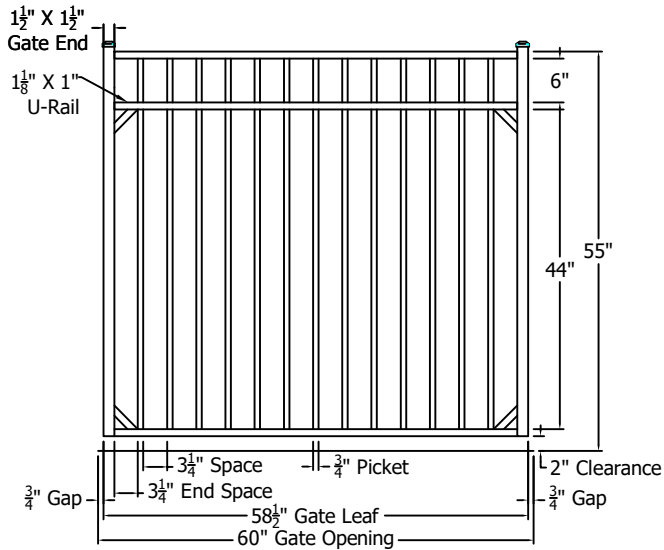
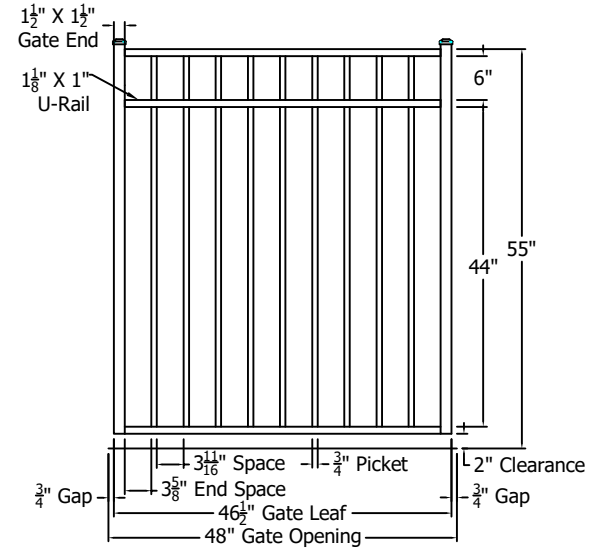
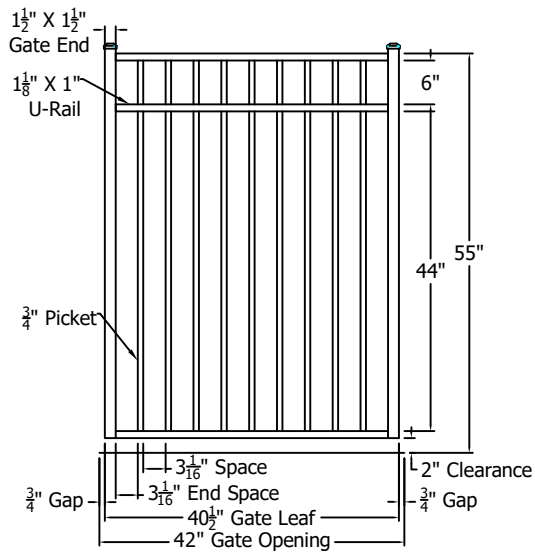
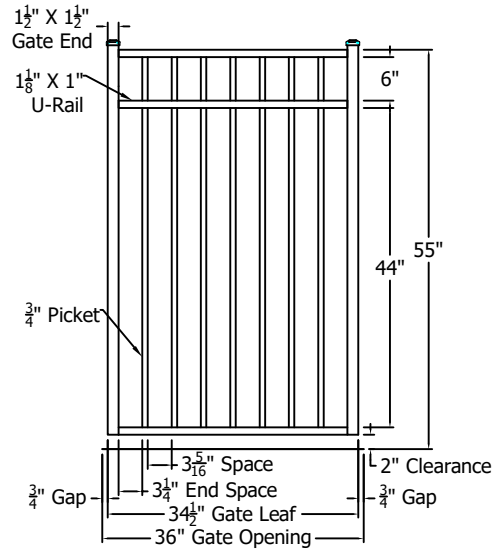
Complies With ASTM  
F2409 And F1908  
For Height And Spacing



DRAWN BY: EH  
DATE DRAWN:  
03-08-2021  
SCALE = 1":1"  
DRAFT NO.:  
20210308-1E

STYLE:  
**1230 Pool**  
AS SHOWN: 72" W 55" T  
LOC: Z:\Aluminum\CourtYard\1000 Series\1000 SRS Sections\Updated Standard Drawings  
REV. A

REV.	LOC.	REVISION	DATE



Complies With ASTM  
F2409 And F1908  
For Height And Spacing



DRAWN BY: EH  
DATE DRAWN:  
03-08-2021  
SCALE = 1":1"  
DRAFT NO.:  
20210308-1E

STYLE:  
**1230 Standard Gates  
Pool**  
AS SHOWN: 48" T  
LOC: Z:\Aluminum\CourtYard\1000  
Series\1000 SRS Gates\Updated Standard  
Drawings  
REV.  
A