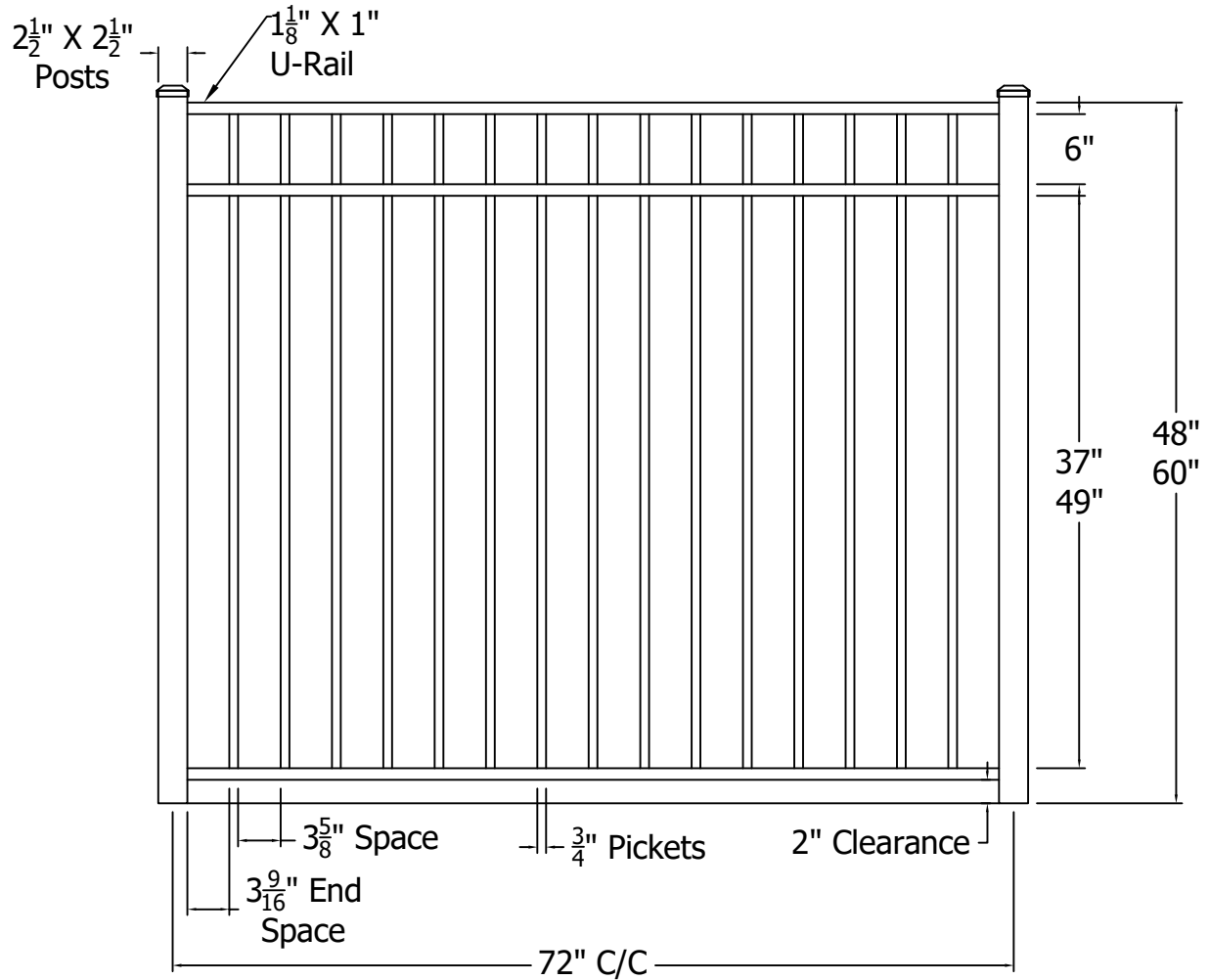




REV.	LOC.	REVISION	DATE



	 <p> Digger Specialties Inc. <i>Transforming the Outdoor Living Experience™</i> 3446 US 6 EAST Bremen, IN 46506 diggerspecialties.com </p>	DRAWN BY: EH	STYLE:
		DATE DRAWN: 03-08-2021	1230 Flush Bottom
		SCALE = 1":1"	AS SHOWN: 72" W 60" T
		DRAFT NO.: 20210308-1E	LOC: Z:\Aluminum\CourtYard\1000 Series\1000 SRS Sections\Updated Standard Drawings REV. A

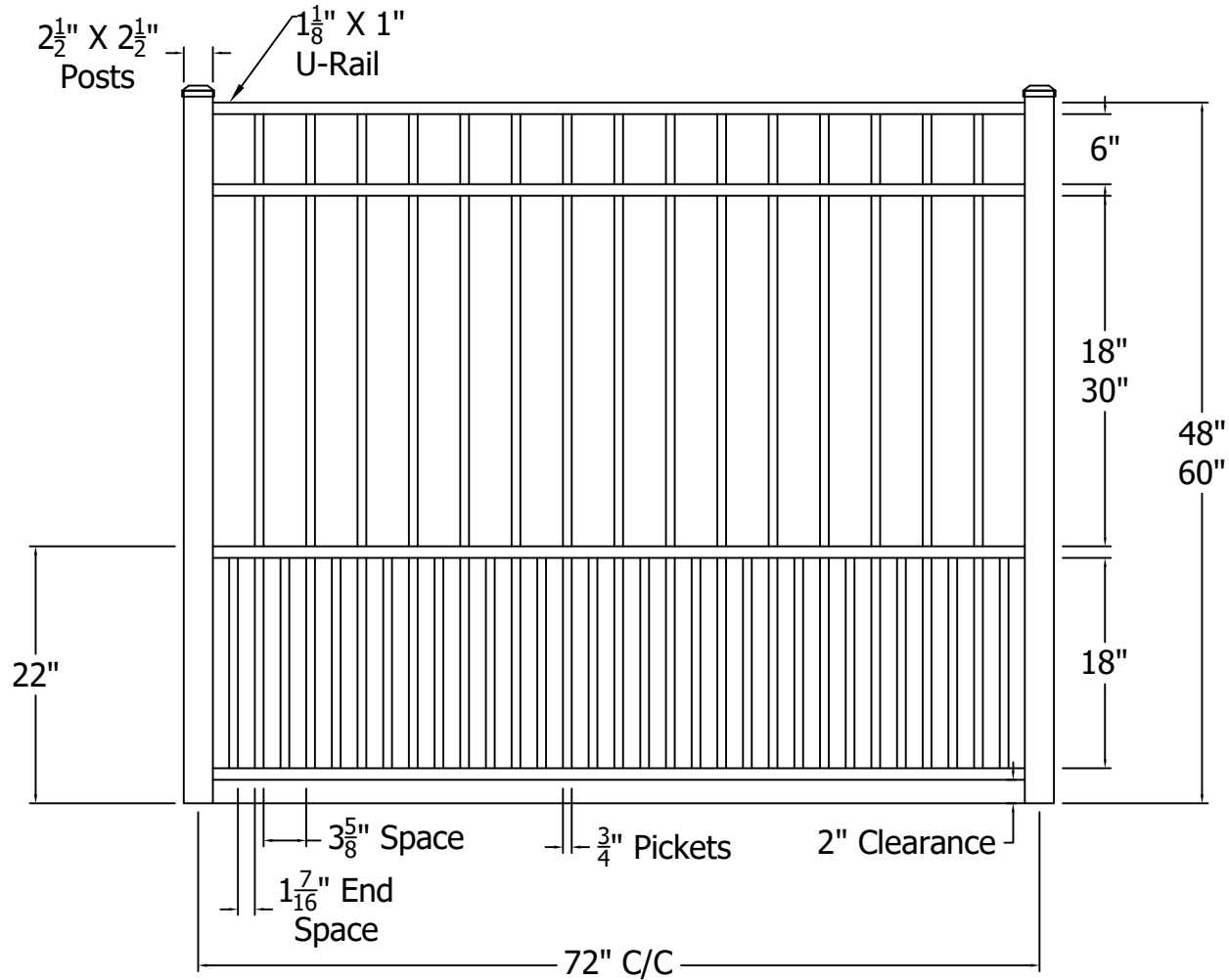
4



3

2

1

REV.	LOC.	REVISION	DATE



	 <p>3446 US 6 EAST Bremen, IN 46506 diggerspecialties.com</p>	DRAWN BY: EH	STYLE:	1230 Flush Bottom Short Picket Option	REV. A
		DATE DRAWN: 03-08-2021	AS SHOWN: 72" W 60" T		
		SCALE = 1":1"	LOC: Z:\Aluminum\CourtYard\1000 Series\1000 SRS Sections\Updated Standard Drawings		
		DRAFT NO.: 20210308-1E			

4

3

2

1

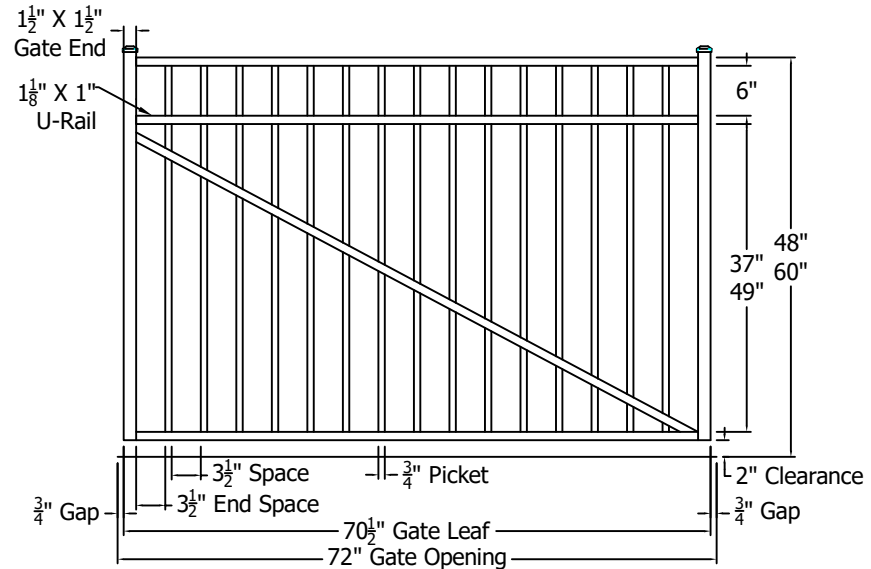
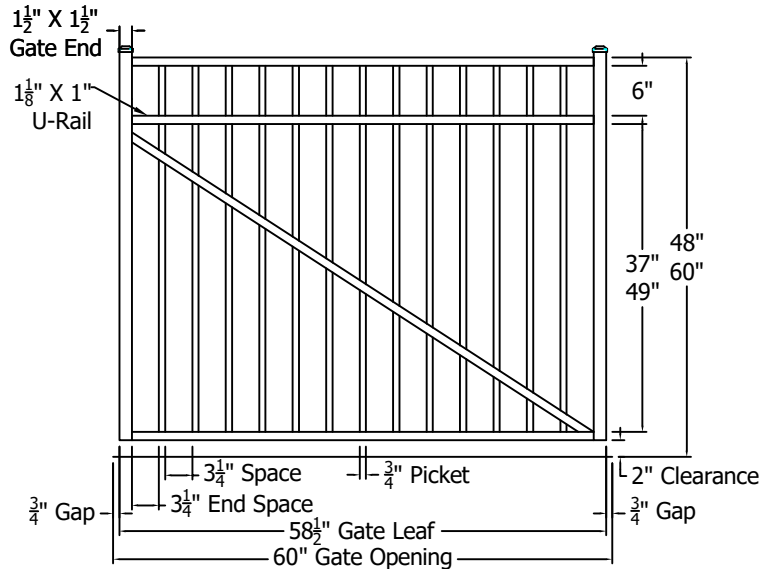
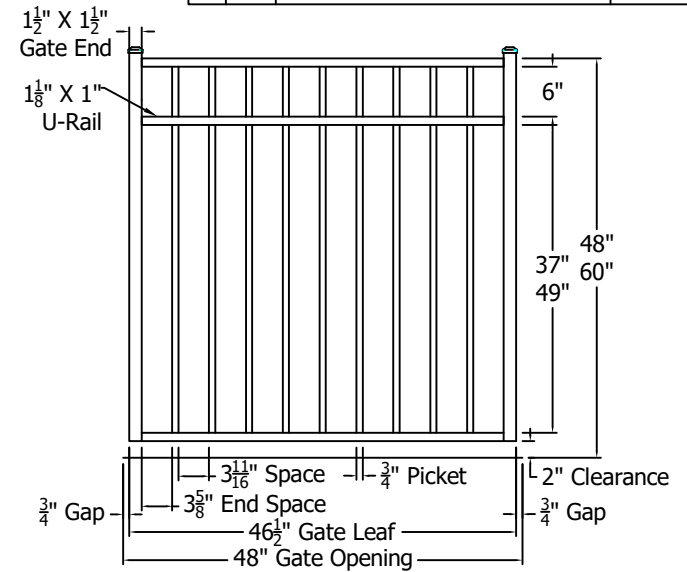
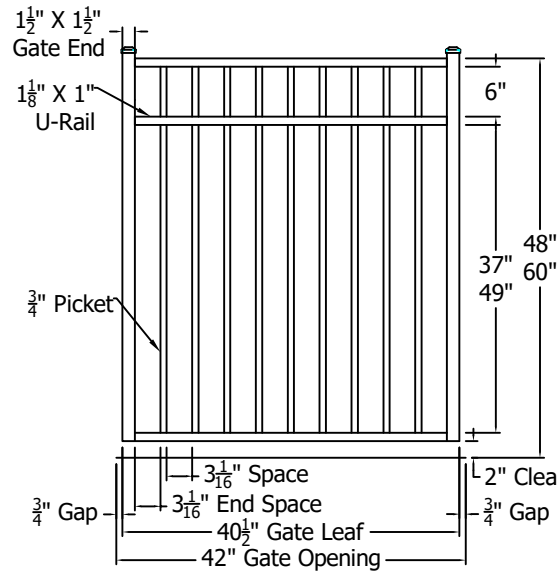
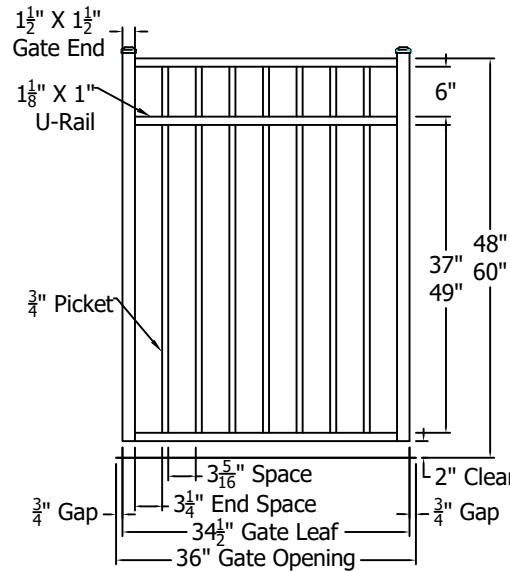
D



C

B

A

REV.	LOC.	REVISION	DATE



	 <p>3446 US 6 EAST Bremen, IN 46506 diggerspecialties.com</p>	DRAWN BY: EH	STYLE:
		DATE DRAWN: 03-08-2021	1230 Standard Gates Flush Bottom
		SCALE = 1":1"	AS SHOWN: 48" T
		DRAFT NO.: 20210308-1E	LOC: Z:\Aluminum\CourtYard\1000 Series\1000 SRS Gates\Updated Standard Drawings

4

3

2

1

D

C

B

A