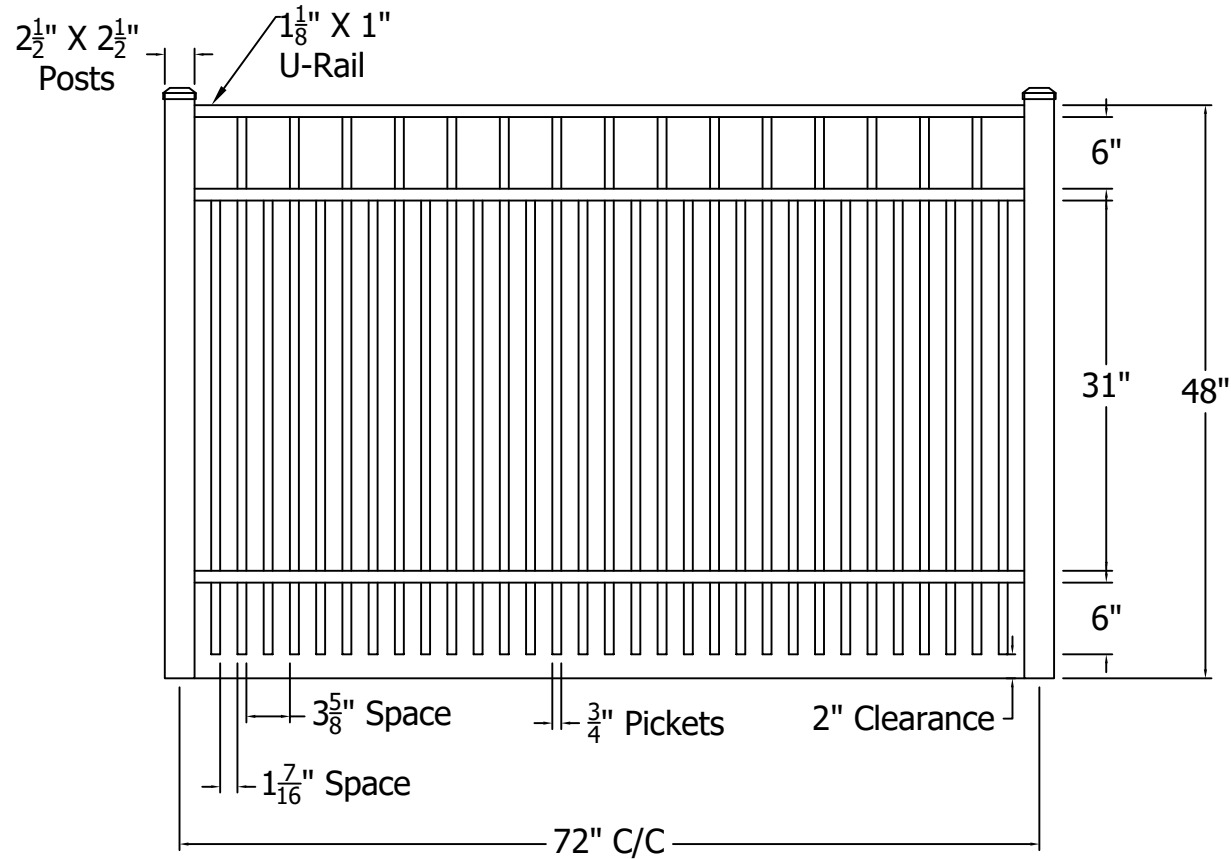




REV.	LOC.	REVISION	DATE



	 <p>3446 US 6 EAST Bremen, IN 46506 diggerspecialties.com</p>	DRAWN BY: EH	STYLE:
		DATE DRAWN: 03-08-2021	<b>1230 Double Pickets To Mid Rail</b>
		SCALE = 1":1"	AS SHOWN: 72" W 48" T
		DRAFT NO.: 20210308-1E	LOC: Z:\Aluminum\CourtYard\1000 Series\1000 SRS Sections\Updated Standard Drawings
			REV. <b>A</b>

4

3

2

1

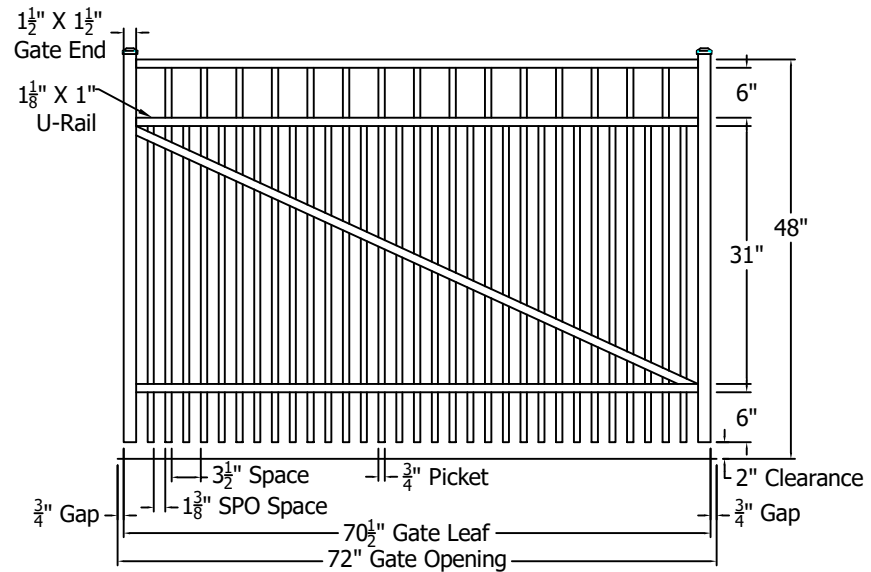
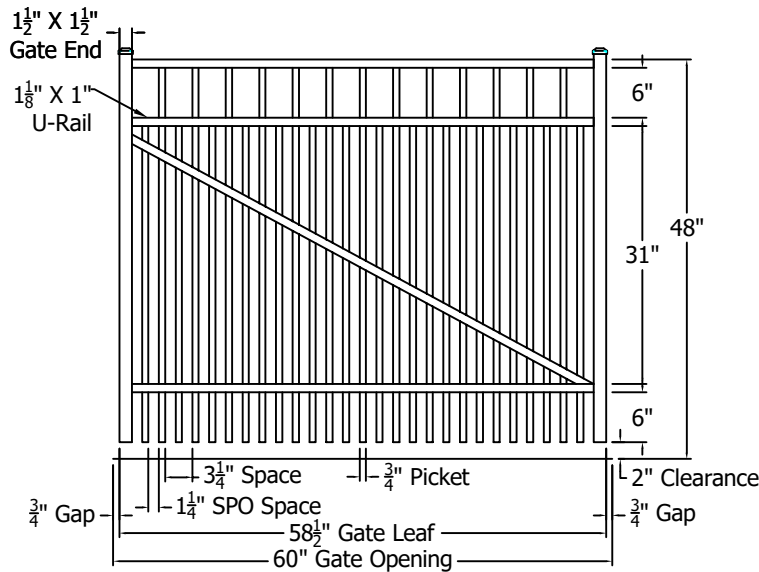
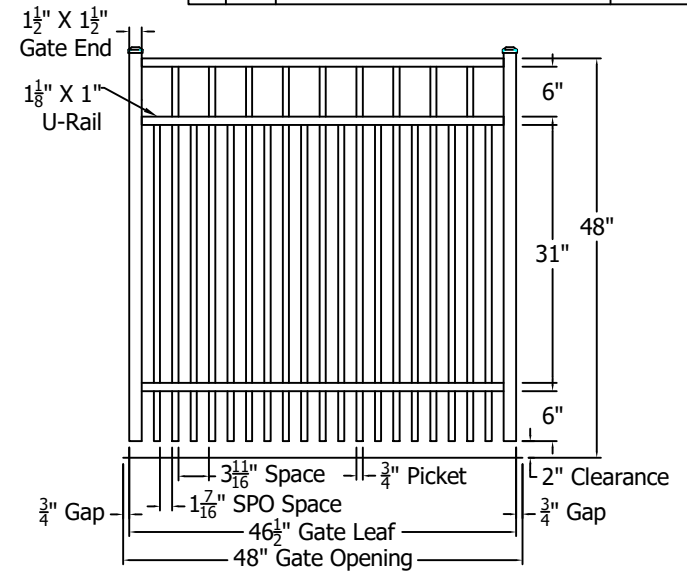
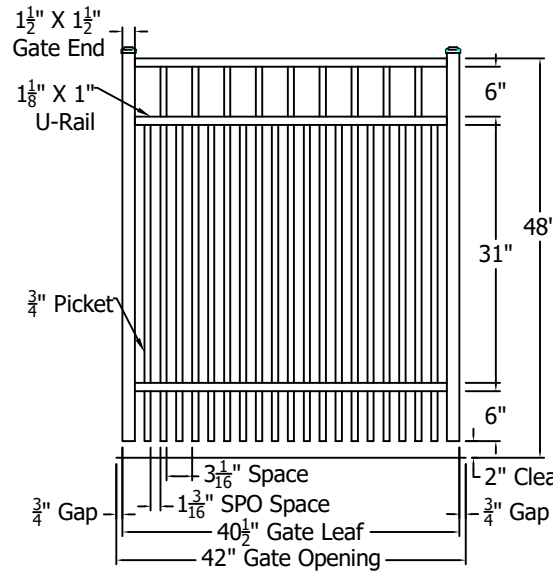
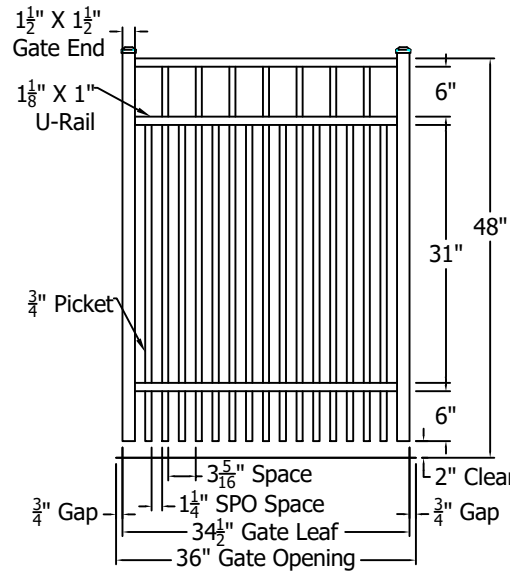
D



C

B

A

REV.	LOC.	REVISION	DATE



	 <p>3446 US 6 EAST Bremen, IN 46506 diggerspecialties.com</p>	DRAWN BY: EH DATE DRAWN: 03-08-2021 SCALE = 1":1"	STYLE: <b>1230 Standard Gates Double Pickets To Mid Rail</b> AS SHOWN: 48" T
		DRAFT NO.: 20210308-1E	LOC: Z:\Aluminum\CourtYard\1000 Series\1000 SRS Gates\Updated Standard Drawings
		REV. A	

4

3

2

1

D

C

B

A