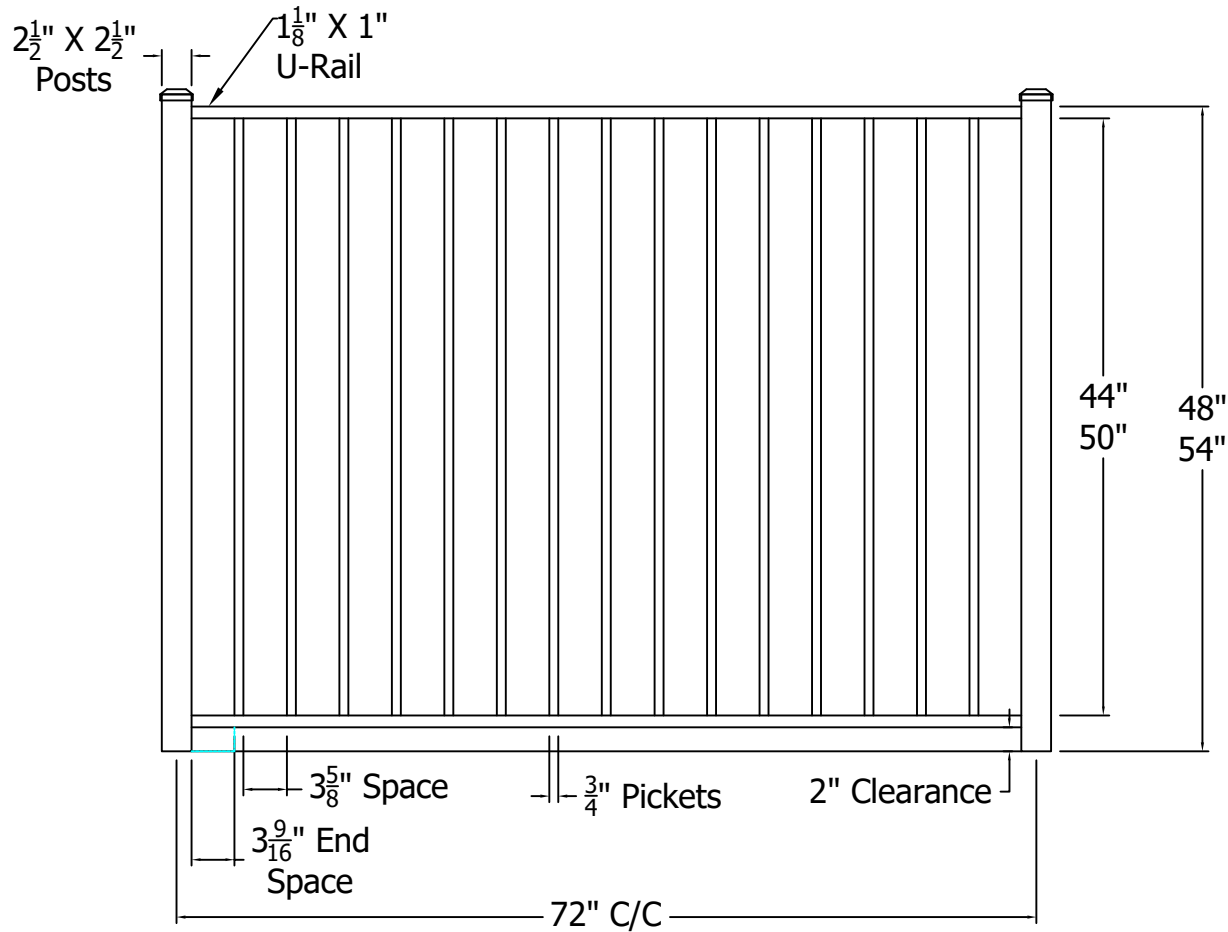


REV.	LOC.	REVISION	DATE



Complies With ASTM
F2409 And F1908
For Height And Spacing



DRAWN BY: EH
DATE DRAWN:
03-15-2021
SCALE = 1":1"
DRAFT NO.:
20210315-1E

STYLE:
1220
AS SHOWN: 72" W 48" T
LOC: Z:\Aluminum\CourtYard\1000
Series\1000 SRS Sections\Updated
Standard Drawings

REV.
A

4

3

2

1

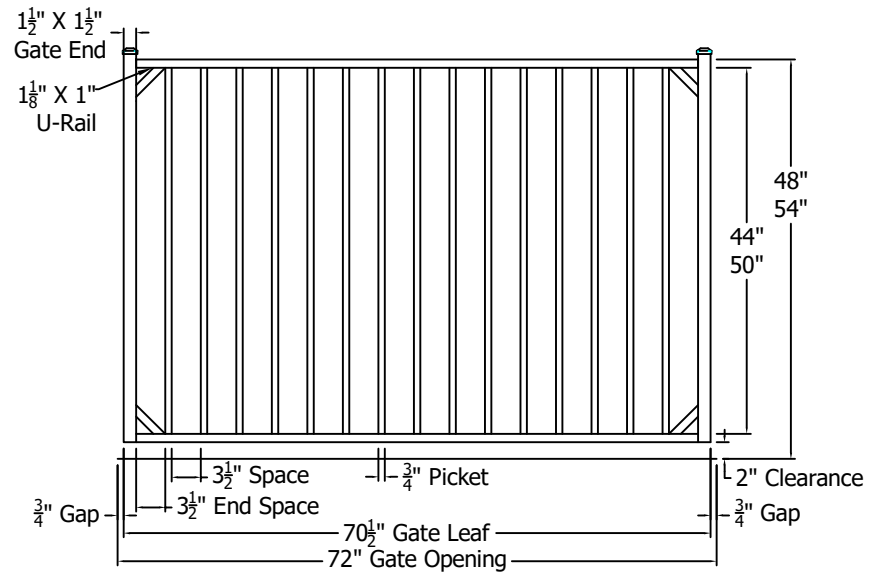
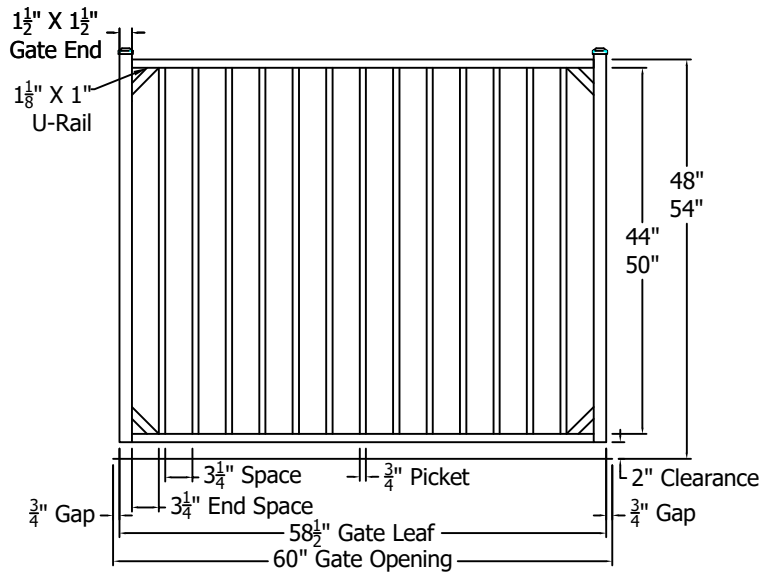
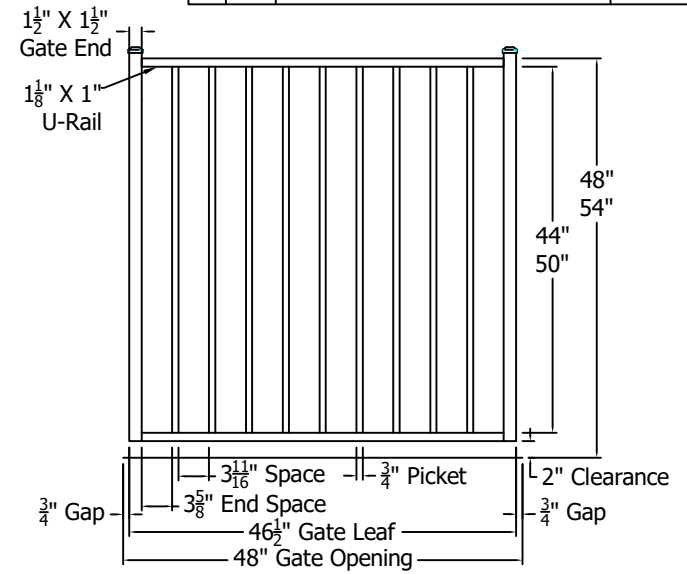
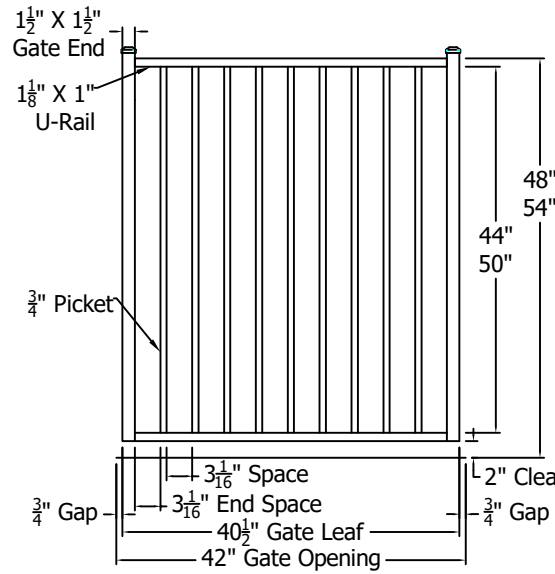
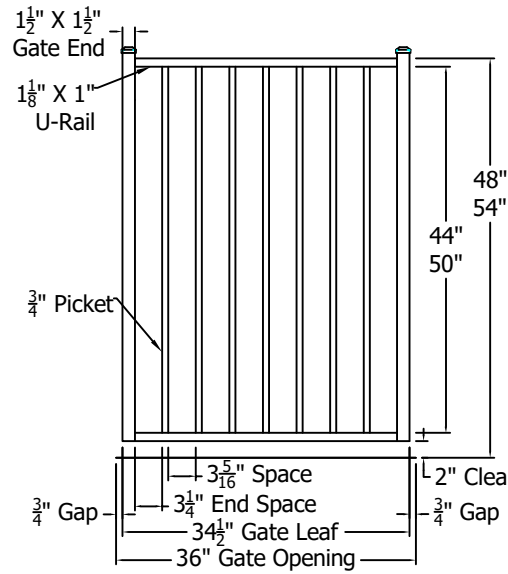
D

C

B

A

REV.	LOC.	REVISION	DATE



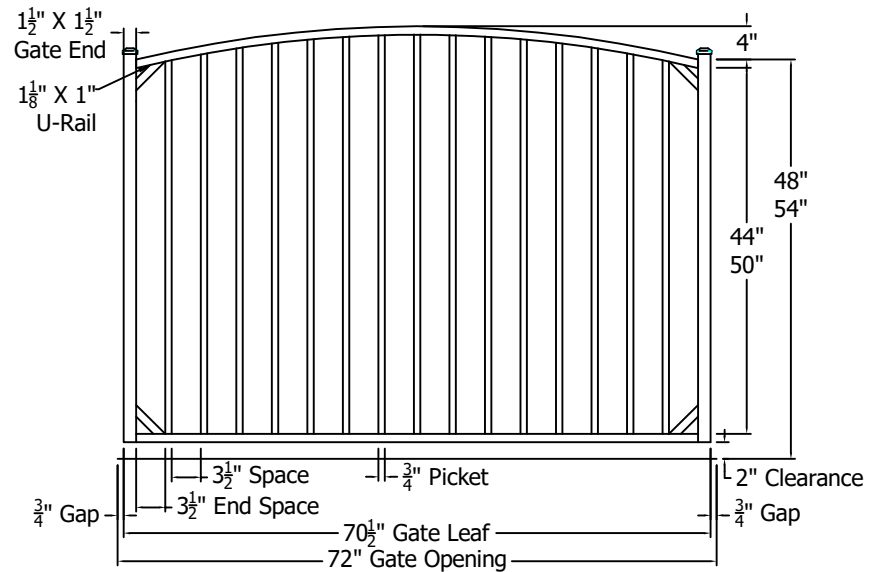
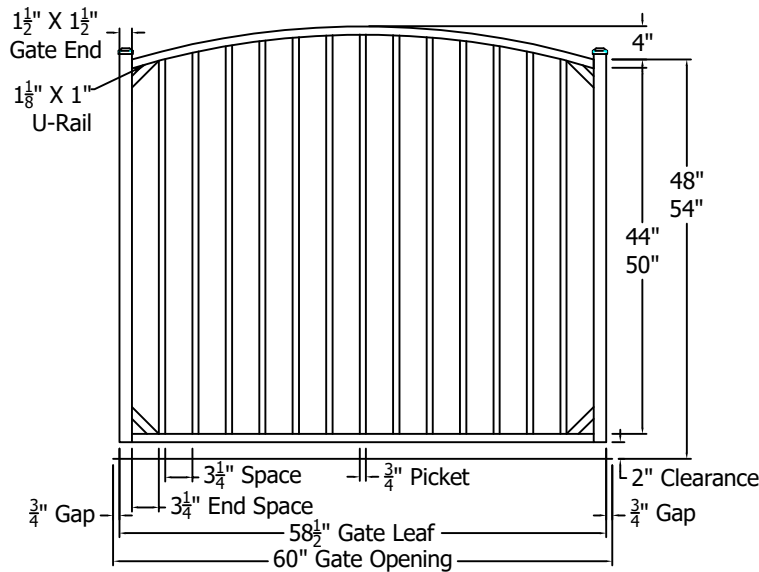
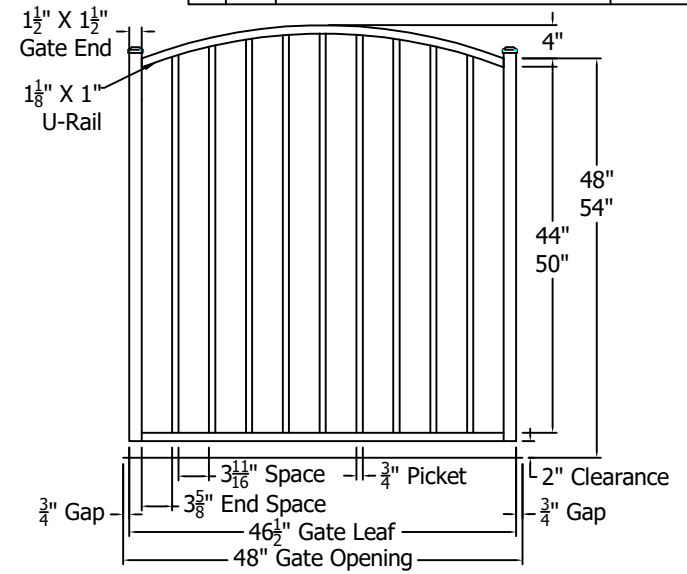
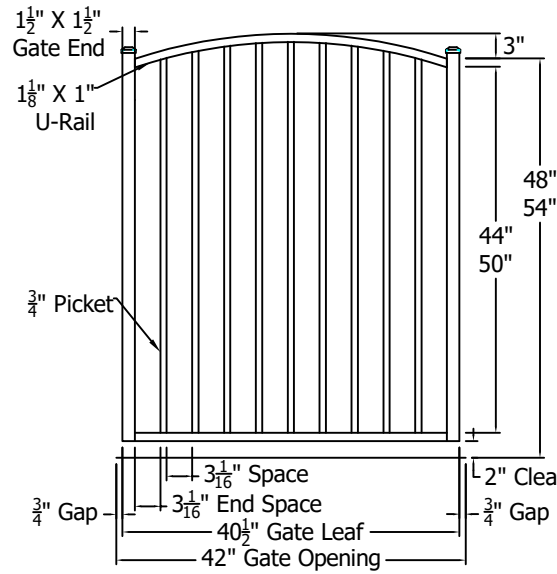
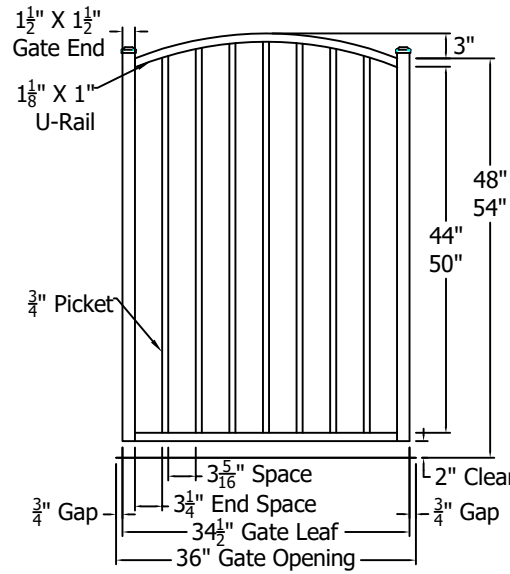
Complies With ASTM
F2409 And F1908
For Height And Spacing



DRAWN BY: EH
DATE DRAWN:
03-15-2021
SCALE = 1":1"
DRAFT NO.:
20210315-1E

STYLE:
1220 Standard Gates
AS SHOWN: 48" T
LOC: Z:\Aluminum\CourtYard\1000
Series\1000 SRS Gates\Updated Standard
Drawings
REV.
A

REV.	LOC.	REVISION	DATE



Complies With ASTM
F2409 And F1908
For Height And Spacing



DRAWN BY: EH
 DATE DRAWN:
 03-15-2021
 SCALE = 1":1"
 DRAFT NO.:
 20210315-1E

STYLE:
**1220 Standard Gates
 Arched**
 AS SHOWN: 48" T
 LOC: Z:\Aluminum\CourtYard\1000
 Series\1000 SRS Gates\Updated Standard
 Drawings
 REV.
A