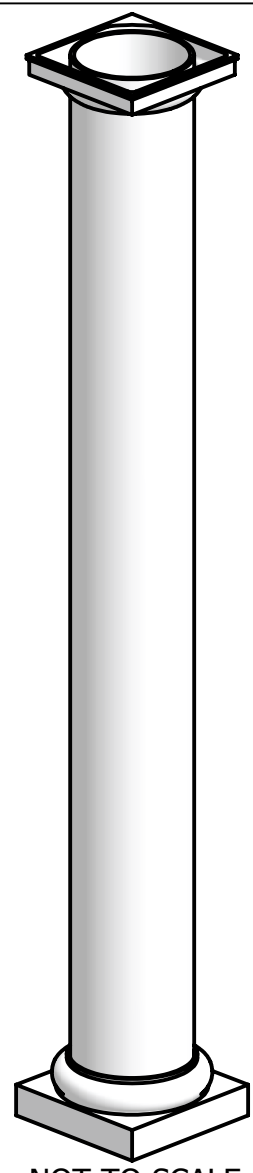
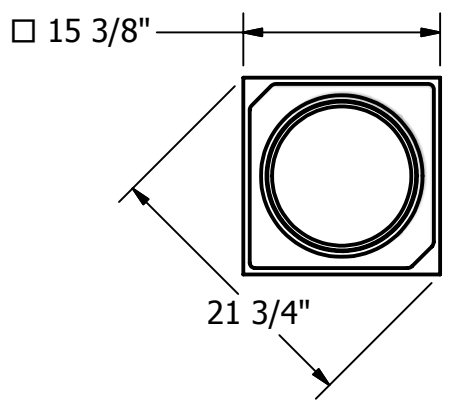
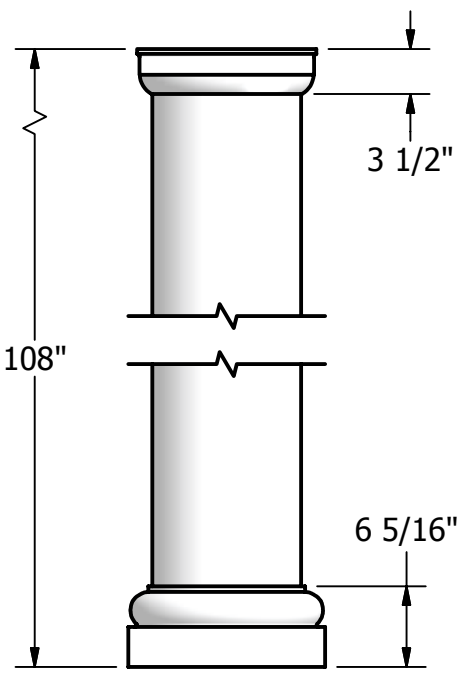
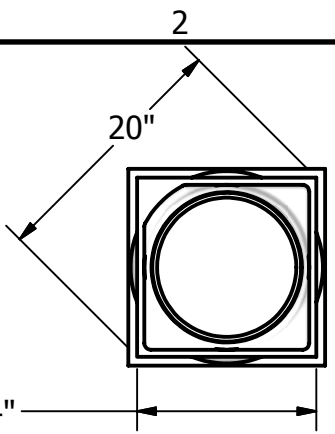


↓


1

- NOTES:**
1. MATERIAL: FIBERGLASS REINFORCED POLYMER (FRP)
 2. WEIGHT: COLUMN: 112 Lbs.
CAP: 12 Lbs.
BASE: 16.5 Lbs.
 3. MATERIAL THICKNESS.
COLUMN: 3/8"
 4. INSIDE DIAMETER AT TOP OF COLUMN: 10 7/8"
 5. OUTSIDE DIAMETER AT TOP OF COLUMN: 11 5/8"
 6. INSIDE DIAMETER AT BOTTOM OF COLUMN: 10 7/8"
 7. OUTSIDE DIAMETER AT BOTTOM OF COLUMN: 11 5/8"




NOT TO SCALE

DRAWN	Bryan Daniels	5/13/2016
CHECKED		
QA		



DSI Digger Specialties Inc.
Transforming the Outdoor Living Experience



Westbury
COLUMNS

TITLE
Fiberglass Tuscan Round, Non-Tapered 12" x 9'

SIZE A	DWG NO NTSM1209	REV 03
--------	-----------------	--------

DIMENSIONS ARE IN INCHES
TOLERANCE: ± 1/4"

SCALE 1:15	SHEET 1 OF 1
------------	--------------

2

↑

1