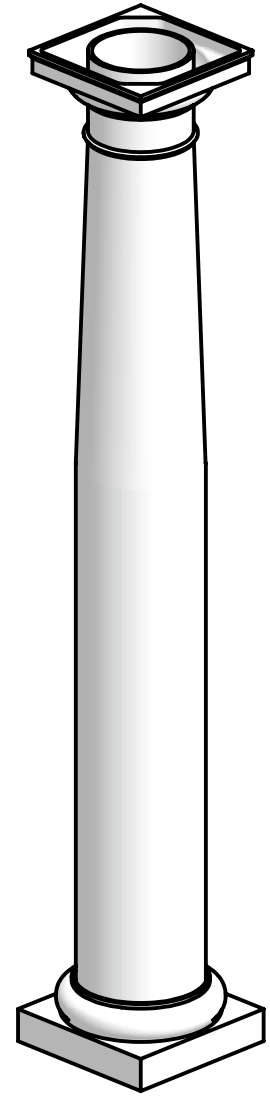
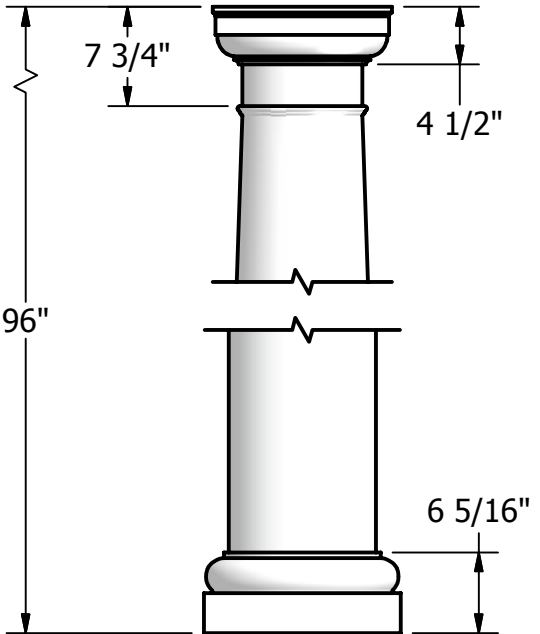


2

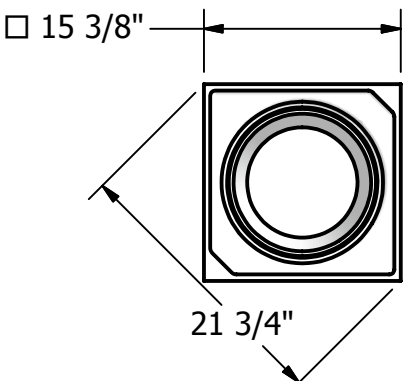
1




- NOTES:**
1. MATERIAL: FIBERGLASS REINFORCED POLYMER (FRP)
 2. WEIGHT: COLUMN: 89 Lbs.
CAP: 7.5 Lbs.
BASE: 16.5 Lbs.
 3. MATERIAL THICKNESS.
COLUMN: 3/8"
 4. INSIDE DIAMETER AT TOP OF COLUMN: 8 5/8"
 5. OUTSIDE DIAMETER AT TOP OF COLUMN: 9 3/8"
 6. INSIDE DIAMETER AT BOTTOM OF COLUMN: 10 3/4"
 7. OUTSIDE DIAMETER AT BOTTOM OF COLUMN: 11 1/2"
 8. TAPER STARTS FROM BOTTOM OF COLUMN: 32"




NOT TO SCALE



DRAWN	Bryan Daniels	5/11/2016
CHECKED		
QA		
MFG		
APPROVED		



DSI Digger
Specialties
Inc.
Transforming the Outdoor Living Experience



Westbury
COLUMNS

TITLE
Fiberglass Tuscan Round, Smooth 12" x 8'

DIMENSIONS ARE IN INCHES
TOLERANCE: ± 1/4"

SIZE	A	DWG NO	SM1208	REV	03
SCALE	1:15	SHEET 1 OF 1			

2

1

