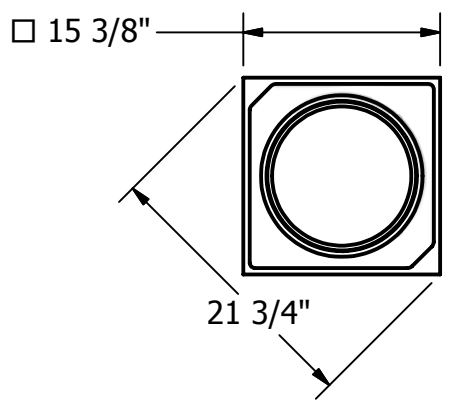
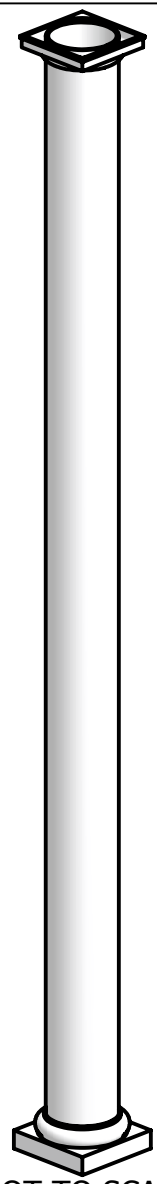
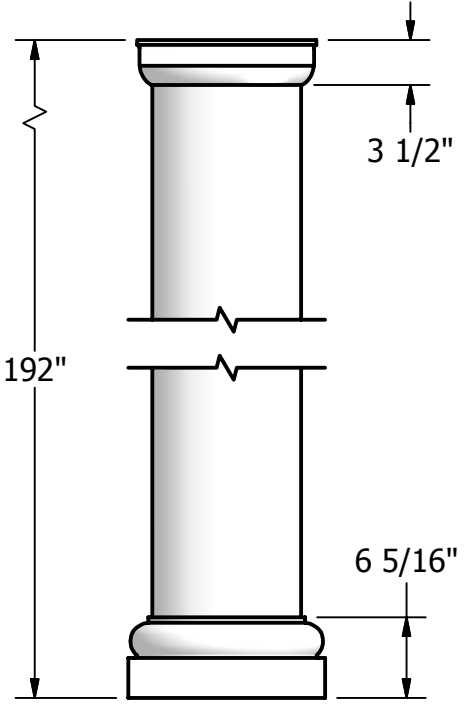
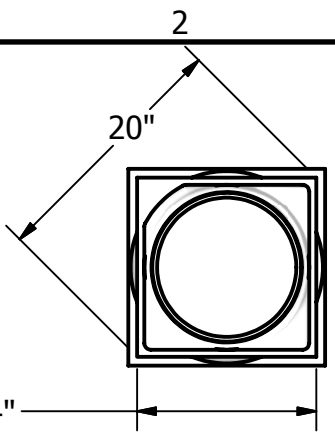



↓

1


- NOTES:**
1. MATERIAL: FIBERGLASS REINFORCED POLYMER (FRP)
 2. WEIGHT: COLUMN: 220 Lbs.
CAP: 12 Lbs.
BASE: 16.5 Lbs.
 3. MATERIAL THICKNESS.
COLUMN: 3/8"
 4. INSIDE DIAMETER AT TOP OF COLUMN: 10 7/8"
 5. OUTSIDE DIAMETER AT TOP OF COLUMN: 11 5/8"
 6. INSIDE DIAMETER AT BOTTOM OF COLUMN: 10 7/8"
 7. OUTSIDE DIAMETER AT BOTTOM OF COLUMN: 11 5/8"



DRAWN	Bryan Daniels	5/13/2016
CHECKED		
QA		



DSI Digger
Specialties
Inc.
Transforming the Outdoor Living Experience®



Westbury®
COLUMNS

TITLE
Fiberglass Tuscan Round, Non-Tapered 12" x 16'

SIZE A	DWG NO NTSM1216	REV 03
--------	--------------------	-----------

DIMENSIONS ARE IN INCHES
TOLERANCE: ± 1/4"

SCALE 1:15	SHEET 1 OF 1
---------------	--------------

2

↑

1