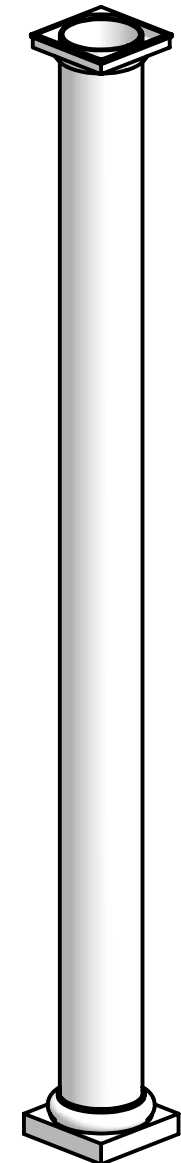
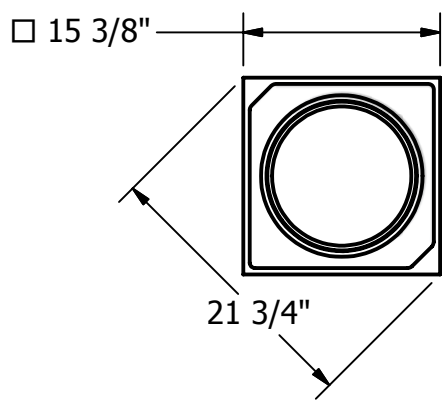
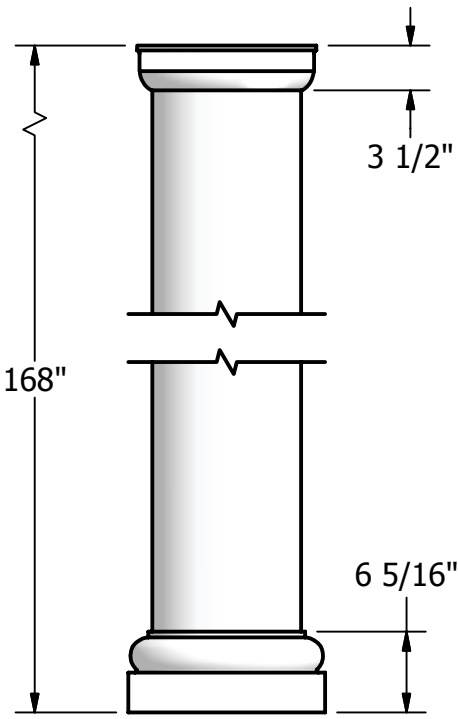
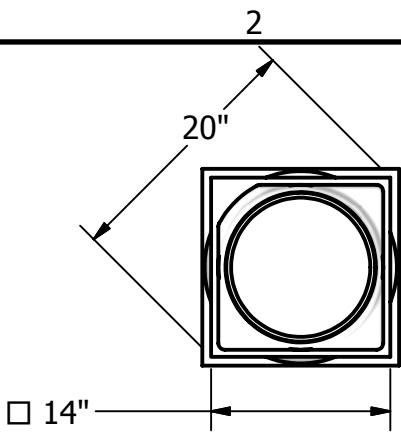


- ↓
- 1
- NOTES:**
1. MATERIAL: FIBERGLASS REINFORCED POLYMER (FRP)
 2. WEIGHT: COLUMN: 180 Lbs.
CAP: 12 Lbs.
BASE: 16.5 Lbs.
 3. MATERIAL THICKNESS.
COLUMN: 3/8"
 4. INSIDE DIAMETER AT TOP OF COLUMN: 10 7/8"
 5. OUTSIDE DIAMETER AT TOP OF COLUMN: 11 5/8"
 6. INSIDE DIAMETER AT BOTTOM OF COLUMN: 10 7/8"
 7. OUTSIDE DIAMETER AT BOTTOM OF COLUMN: 11 5/8"



NOT TO SCALE

DRAWN	Bryan Daniels	5/13/2016	Digger Specialties Inc. <small>Transforming the Outdoor Living Experience™</small>		Westbury® <small>COLUMNS</small>		
CHECKED							
QA			TITLE				
			Fiberglass Tuscan Round, Non-Tapered 12" x 14'				
DIMENSIONS ARE IN INCHES TOLERANCE: ± 1/4"			SIZE	A	DWG NO	NTSM1214	REV
			SCALE	1:15			03
			SHEET 1 OF 1				