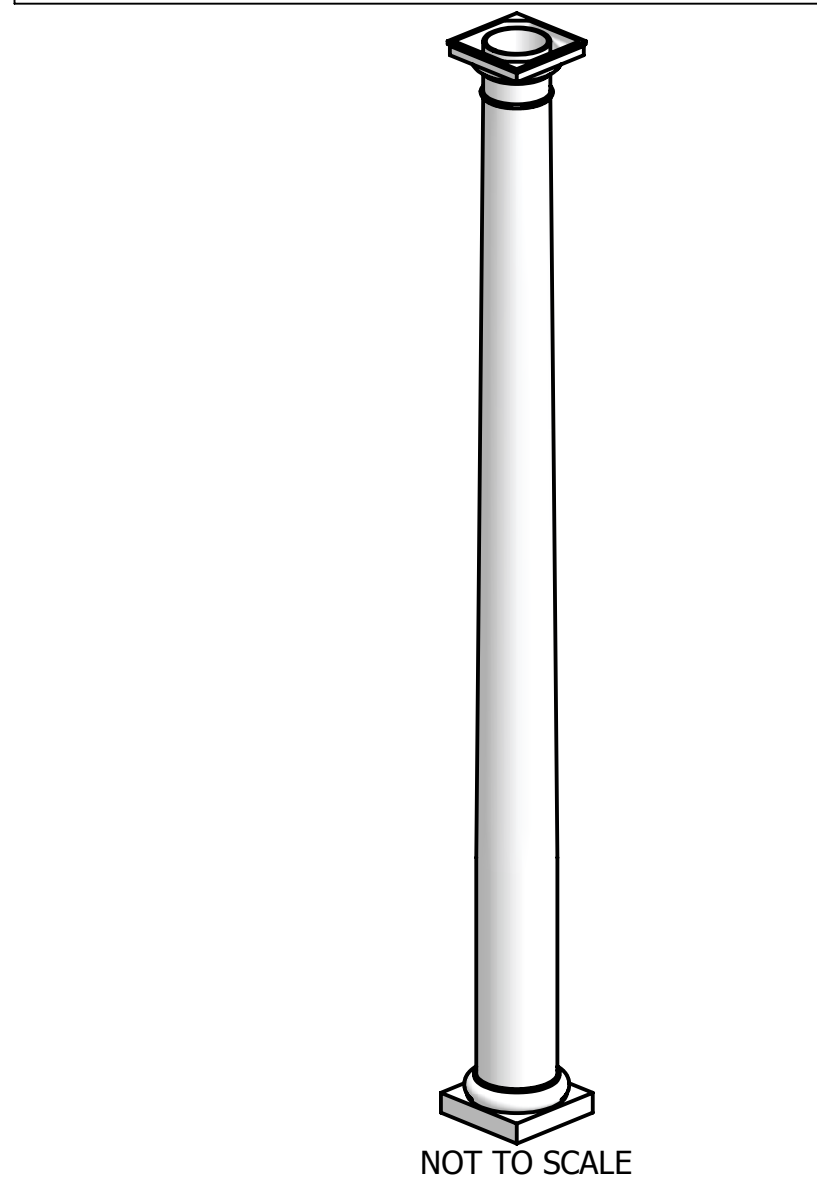
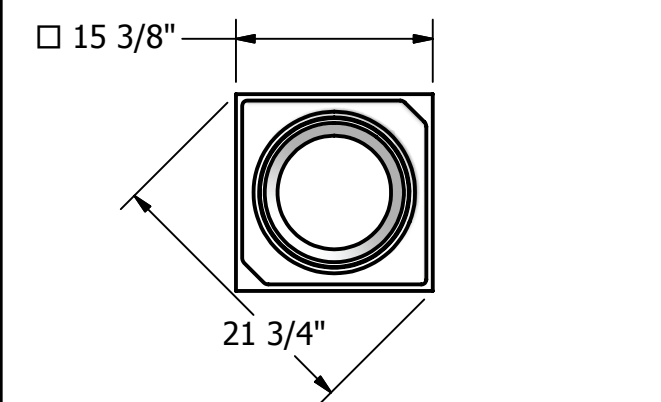
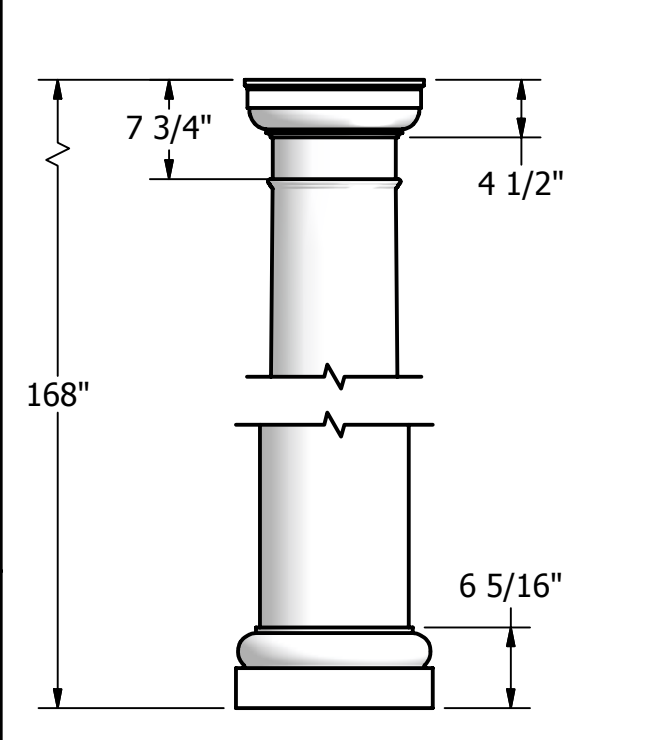




- NOTES:**
1. MATERIAL: FIBERGLASS REINFORCED POLYMER (FRP)
  2. WEIGHT: COLUMN: 180 Lbs.  
CAP: 7.5 Lbs.  
BASE: 16.5 Lbs.
  3. MATERIAL THICKNESS.  
COLUMN: 3/8"
  4. INSIDE DIAMETER AT TOP OF COLUMN: 8 7/8"
  5. OUTSIDE DIAMETER AT TOP OF COLUMN: 9 5/8"
  6. INSIDE DIAMETER AT BOTTOM OF COLUMN: 10 7/8"
  7. OUTSIDE DIAMETER AT BOTTOM OF COLUMN: 11 5/8"
  8. TAPER STARTS FROM BOTTOM OF COLUMN: 48"



DRAWN	Bryan Daniels	5/11/2016
CHECKED		
QA		
MFG		
APPROVED		



**DSI** Digger  
Specialties  
Inc.  
*Transforming the Outdoor Living Experience*



**Westbury**  
COLUMNS

TITLE  
Fiberglass Tuscan Round, Smooth 12" x 14'

DIMENSIONS ARE IN INCHES  
TOLERANCE: ± 1/4"

SIZE	A	DWG NO	SAM1214	REV	03
SCALE	1:15	SHEET 1 OF 1			

2

1